



LAYOUT SHOWN AS EXAMPLE

Keying Shown as example

**CHARACTERISTICS**

- Standard : Based on MIL-DTL-38999 Series III
- Shell Material : Composite
- Shell Plating : Olive drab Cadmium
- Insulator : Thermoplastic
- Contacts : Copper Alloy
- Seals & Grommet : Silicon Elastomer
- Contact Plating : Gold over copper Alloy 0.8µm minimum
- Durability : 500 Mating cycles
- Delivered with Souriau contacts and Accessories
- Temperature Range : -65°C to +175°C
- Salt Spray : 2000 hours
- Mass : 50.8 g ± 10%

| Connector dimension |             |
|---------------------|-------------|
| Dim                 | Nominal     |
| P                   | 3.25±0.2    |
| PP                  | 4.93±0.2    |
| R1                  | 31.75       |
| R2                  | 29.36       |
| S                   | 39.7±0.3    |
| V'                  | 18.7+1.4/-0 |
| W'                  | 2.1/4.35    |
| Z'                  | 32 Max      |
| VV THREAD           | M31x1-6g    |

SOURIAU shall not be liable for any non-conformity or damage due to a use of the Products which does not comply with the Specifications issued by either of the Parties or by a third party (professional recommendation, technical notice.)

| Country | Jurisdiction & Control List |
|---------|-----------------------------|
| FR      | Not Listed                  |

**PN: 8D021J35SC**

|                |                                       |   |                               |
|----------------|---------------------------------------|---|-------------------------------|
| A              | 02-11-2016                            | First Release   |                               |
| ISS            | DATE                                  | Latest modification - by  | MOD N°                        |
| Designed By:   |                                       | Date:   | <b>CUSTOMER DRAWING</b>       |
| <b>TITLE</b>   | <b>Composite Receptacle 8D series</b> |   |                               |
| SCALE          |                                       | General linear Tolerances: ±--  | NPRDS / PROJECT<br><b>859</b> |
| NA             |                                       | This document is the property of SOURIAU it must not be reproduced or communicated without permission |                               |
| <b>SOURIAU</b> | <b>WWW.SOURIAU.COM</b>                |   |                               |
| FORMAT         | <b>SOURIAU DRG N° 8D021J35SC-C</b>    |   | SHEET<br>1/2                  |

|                |                          |   |   |    |   |    |   |   |                                    |
|----------------|--------------------------|---|---|----|---|----|---|---|------------------------------------|
| BASIC SERIES:  | 8D                       | 0 | - | 21 | J | 35 | S | C | ORIENTATION : C                    |
| SHELL TYPE :   | Square Flange Receptacle |   |   |    |   |    |   |   | CONTACT TYPE : SOCKET(500 Matings) |
| CONTACT TYPE : | Standard Crimp Contact   |   |   |    |   |    |   |   | CONTACT LAYOUT : 21-35             |
| SHELL SIZE :   | 21                       |   |   |    |   |    |   |   |                                    |
| PLATING :      | J = Olive drab Cadmium   |   |   |    |   |    |   |   |                                    |

Contact Layout

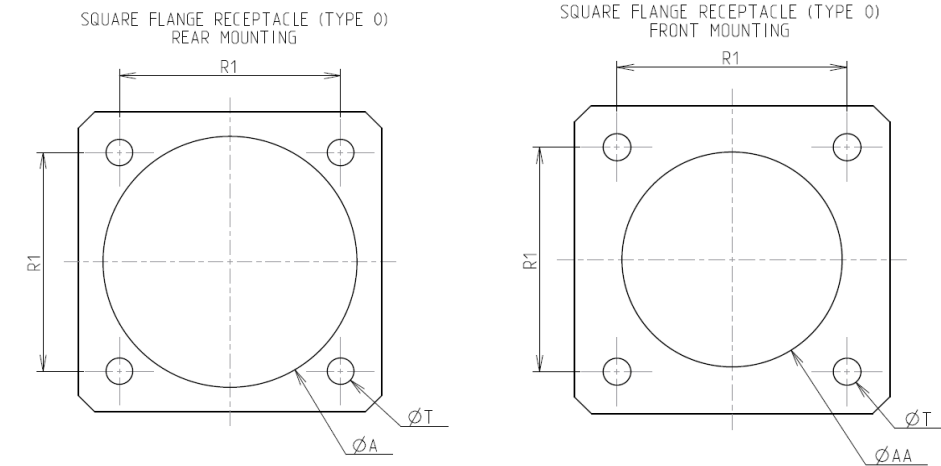


| Contacts<br>(Insert arrangement 21-35) |              |              |                     |             |             |
|--|--------------|--------------|---------------------|-------------|-------------|
| Contact position ID                    | Location     |              | Contact position ID | Location    |             |
|  | X-axis (mm)  | Y-axis (mm)  |                     | X-axis (mm) | Y-axis (mm) |
| 1                                      | +053 (1.35)  | +426 (10.82) | 41                  | -098 (2.49) | -322 (8.18) |
| 2                                      | +146 (3.71)  | +404 (10.26) | 42                  | -184 (4.67) | -280 (7.11) |
| 3                                      | +232 (5.89)  | +362 (9.19)  | 43                  | -258 (6.55) | -220 (5.59) |
| 4                                      | -306 (7.77)  | +302 (7.67)  | 44                  | -311 (7.90) | -141 (3.58) |
| 5                                      | +365 (9.27)  | +227 (5.77)  | 45                  | -332 (8.43) | -048 (1.22) |
| 6                                      | +406 (10.31) | +141 (3.58)  | 46                  | -332 (8.43) | +048 (1.22) |
| 7                                      | +427 (10.85) | +048 (1.22)  | 47                  | -311 (7.90) | +141 (3.58) |
| 8                                      | +427 (10.85) | -048 (1.22)  | 48                  | -258 (6.55) | +220 (5.59) |
| 9                                      | +406 (10.31) | -141 (3.58)  | 49                  | -184 (4.67) | +280 (7.11) |
| 10                                     | +365 (9.27)  | -227 (5.77)  | 50                  | -098 (2.49) | +322 (8.18) |
| 11                                     | +306 (7.77)  | -302 (7.67)  | 51                  | -048 (1.22) | +241 (6.12) |
| 12                                     | +232 (5.89)  | -362 (9.19)  | 52                  | +048 (1.22) | +241 (6.12) |
| 13                                     | +146 (3.71)  | -404 (10.26) | 53                  | +134 (3.40) | +199 (5.05) |
| 14                                     | +053 (1.35)  | -426 (10.82) | 54                  | +208 (5.28) | +139 (3.53) |
| 15                                     | -053 (1.35)  | -426 (10.82) | 55                  | +237 (6.02) | +048 (1.22) |
| 16                                     | -146 (3.71)  | -404 (10.26) | 56                  | +237 (6.02) | -048 (1.22) |
| 17                                     | -232 (5.89)  | -362 (9.19)  | 57                  | +208 (5.28) | -139 (3.53) |

| Contacts<br>(Insert arrangement 21-35) |              |              |                     |             |             |
|--|--------------|--------------|---------------------|-------------|-------------|
| Contact position ID                    | Location     |              | Contact position ID | Location    |             |
|  | X-axis (mm)  | Y-axis (mm)  |                     | X-axis (mm) | Y-axis (mm) |
| 18                                     | -306 (7.77)  | -302 (7.67)  | 58                  | +134 (3.40) | -199 (5.05) |
| 19                                     | -365 (9.27)  | -227 (5.77)  | 59                  | +048 (1.22) | -241 (6.12) |
| 20                                     | -406 (10.31) | -141 (3.58)  | 60                  | -048 (1.22) | -241 (6.12) |
| 21                                     | -427 (10.85) | -048 (1.22)  | 61                  | -134 (3.40) | -199 (5.05) |
| 22                                     | -427 (10.85) | +048 (1.22)  | 62                  | -208 (5.28) | -139 (3.53) |
| 23                                     | -406 (10.31) | +141 (3.58)  | 63                  | -237 (6.02) | -048 (1.22) |
| 24                                     | -365 (9.27)  | +227 (5.77)  | 64                  | -237 (6.02) | +048 (1.22) |
| 25                                     | -306 (7.77)  | +302 (7.67)  | 65                  | -208 (5.28) | +139 (3.53) |
| 26                                     | -232 (5.89)  | +362 (9.19)  | 66                  | -134 (3.40) | +199 (5.05) |
| 27                                     | -146 (3.71)  | +404 (10.26) | 67                  | -048 (1.22) | +146 (3.71) |
| 28                                     | -053 (1.35)  | +426 (10.82) | 68                  | +048 (1.22) | +146 (3.71) |
| 29                                     | +000 (0.00)  | +323 (8.20)  | 69                  | +125 (3.18) | +090 (2.29) |
| 30                                     | +098 (2.49)  | -322 (8.18)  | 70                  | +155 (3.94) | +000 (0.00) |
| 31                                     | +184 (4.67)  | -280 (7.11)  | 71                  | +125 (3.18) | -090 (2.29) |
| 32                                     | +258 (6.55)  | -220 (5.59)  | 72                  | +048 (1.22) | -146 (3.71) |
| 33                                     | +311 (7.90)  | +141 (3.58)  | 73                  | -048 (1.22) | -146 (3.71) |
| 34                                     | +332 (8.43)  | +048 (1.22)  | 74                  | -125 (3.18) | -090 (2.29) |
| 35                                     | +332 (8.43)  | -048 (1.22)  | 75                  | -155 (3.94) | +000 (0.00) |
| 36                                     | +311 (7.90)  | -141 (3.58)  | 76                  | -125 (3.18) | +090 (2.29) |
| 37                                     | +258 (6.55)  | -220 (5.59)  | 77                  | +000 (0.00) | +053 (1.35) |
| 38                                     | +184 (4.67)  | -280 (7.11)  | 78                  | +048 (1.22) | -029 (0.74) |
| 39                                     | +098 (2.49)  | -322 (8.18)  | 79                  | -048 (1.22) | -029 (0.74) |
| 40                                     | +000 (0.00)  | -347 (8.81)  | ---                 | ---         | ---         |

| (Applicable to MIL-DTL-38999 only) |                 |                    |               |                |                  |            |
|------------------------------------|-----------------|--------------------|---------------|----------------|------------------|------------|
| Shell size                         | Arrangement no. | Number of contacts | Size contacts | Service rating | Contact location | Supersedes |
| 21                                 | -35             | 79                 | 22D           | M              | ALL              | MS27531-35 |

Panel Cutout



| Dim | Nominal    |
|-----|------------|
| ØA  | 36.12 min  |
| ØAA | 32.16 min  |
| R1  | 31.75      |
| ØT  | 3.25 ±0.13 |

SOURIAU shall not be liable for any non-conformity or damage due to a use of the Products which does not comply with the Specifications issued by either of the Parties or by a third party (professional recommendation, technical notice.)

| Country | Jurisdiction & Control List |
|---------|-----------------------------|
| FR      | Not Listed                  |

PN: 8D021J35SC

|                |                                       |   |                               |
|----------------|---------------------------------------|---|-------------------------------|
| A              | 02-11-2016                            | First Release   |                               |
| ISS            | DATE                                  | Latest modification - by  | MOD N°                        |
| Designed By:   |                                       | Date:   | <b>CUSTOMER DRAWING</b>       |
| <b>TITLE</b>   | <b>Composite Receptacle 8D series</b> |   |                               |
| SCALE          |                                       | General linear Tolerances: ±--  | NPRDS / PROJECT<br><b>859</b> |
| NA             |                                       | This document is the property of SOURIAU it must not be reproduced or communicated without permission |                               |
| <b>SOURIAU</b> | <b>WWW.SOURIAU.COM</b>                |   |                               |
| FORMAT         | <b>SOURIAU DRG N° 8D021J35SC-C</b>    |   | SHEET<br>2/2                  |