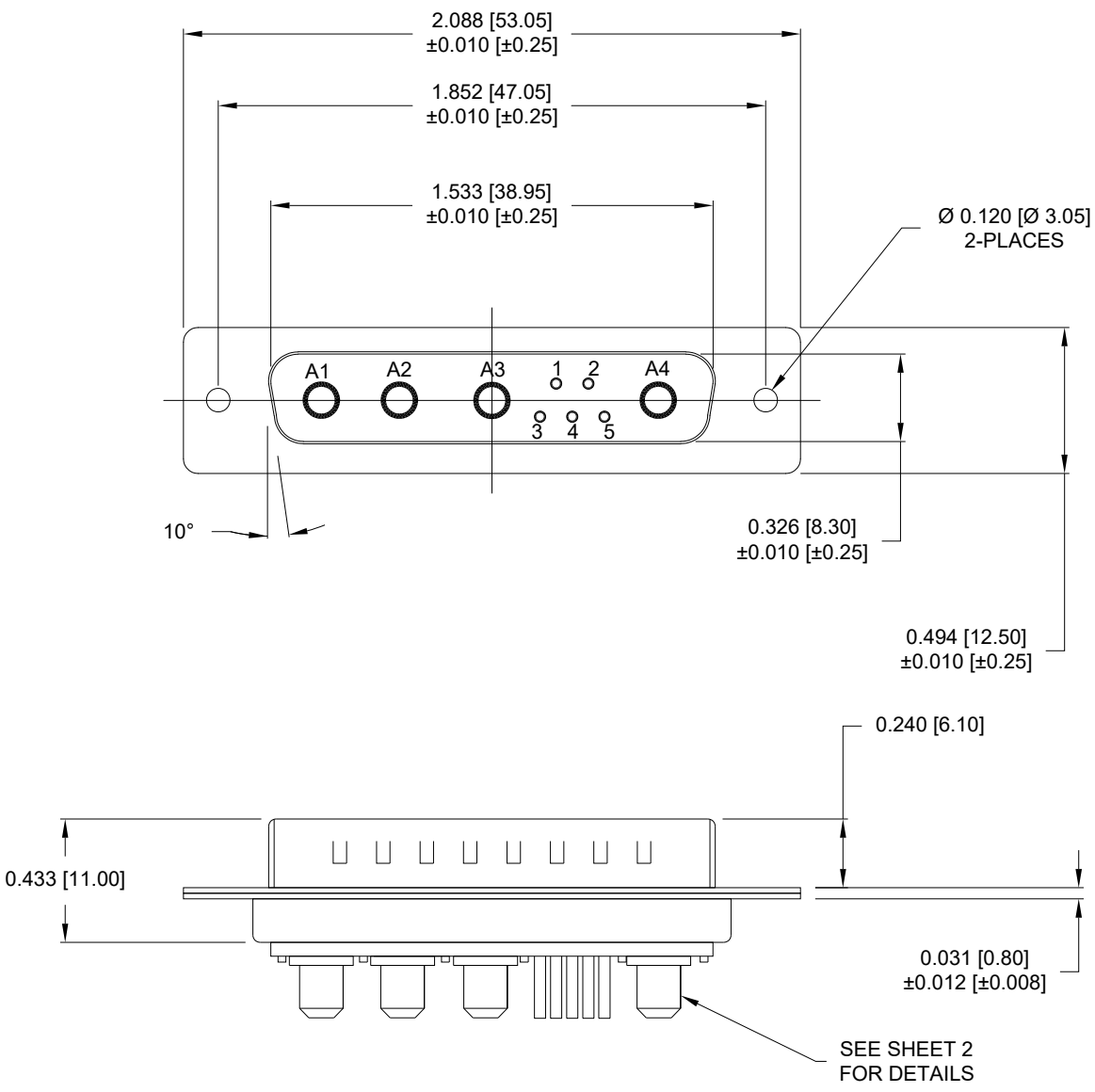


DESCRIPTION: POWER / SIGNAL - VERTICAL - MALE

**SPECIFICATIONS:**

- ELECTRICAL:**  
 INSULATION RESISTANCE: 5 GΩ MIN.  
 DIELECTRIC WITHSTANDING VOLTAGE: 1000 VAC FOR 1 MIN  
 WORKING VOLTAGE: 250V  
 OPERATING TEMPERATURE: -55°C TO +125°C  
 POWER CONTACT RESISTANCE: 2.0 mΩ MAX.  
 SIGNAL CONTACT RESISTANCE: 10 mΩ MAX.  
 POWER PINS: 40 AMPS  
 SIGNAL PINS: 5 AMPS
- MECHANICAL:**  
 CONTACT INSERTION FORCE: 4.5 Kg MAX.  
 CONTACT SEPARATION FORCE: 0.3 Kg MIN.
- MATERIALS:**  
 CONTACTS: COPPER ALLOY, GOLD FLASH  
 INSULATOR: PBT UL94V-0 RATED  
 230°C PROCESS TEMP.  
 SEAL: F08 FLEXIBLE ADHESIVE  
 SHELL: NICKEL PLATED STEEL  
 HARDWARE: NICKEL PLATED BRASS



**681S9W4103LYYY**

- 0 = 40 AMP
- 0 = NO HARDWARE
- 1 = 0.098" CN PCB SIDE
- 2 = 0.236" CN PCB SIDE
- 3 = 0.236" CN MATING SIDE
- 4 = 0.237" BOARDLOCK PCB SIDE
- 5 = 0.224" BOARDLOCK PCB SIDE
- 1 = GOLD FLASH

**MEETS IP67 STANDARDS**  
 (SEE PAGE 2 FOR SEALING DETAILS)

**RoHS COMPLIANT**

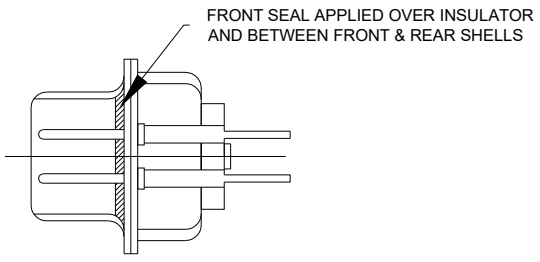
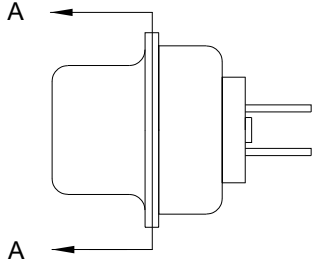
UNITS = INCHES [MM] **DO NOT SCALE FROM DRAWING**

**NC**  
 THESE DRAWINGS AND SPECIFICATIONS ARE THE PROPERTY OF NorComp AND SHALL NOT BE REPRODUCED, COPIED OR USED AS THE BASIS FOR THE MANUFACTURE OR SALE OF APPARATUS WITHOUT WRITTEN PERMISSION.

DRAWN: M. SIGMON  
 DATE: 08-06-2012

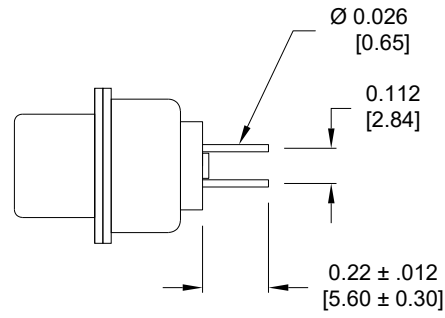
**NorComp**

SCALE: NTS	SHEET 1 OF 4	REV 3
DWG NO. 681S9W4103LYYY		

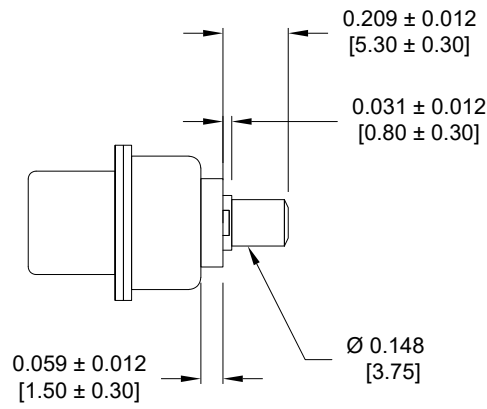


DETAIL A-A  
SHOWN FOR REFERENCE ONLY

NOTE: SIGNAL AND POWER CONTACTS COME PRE-LOADED INTO INSULATORS



SIGNAL CONTACTS



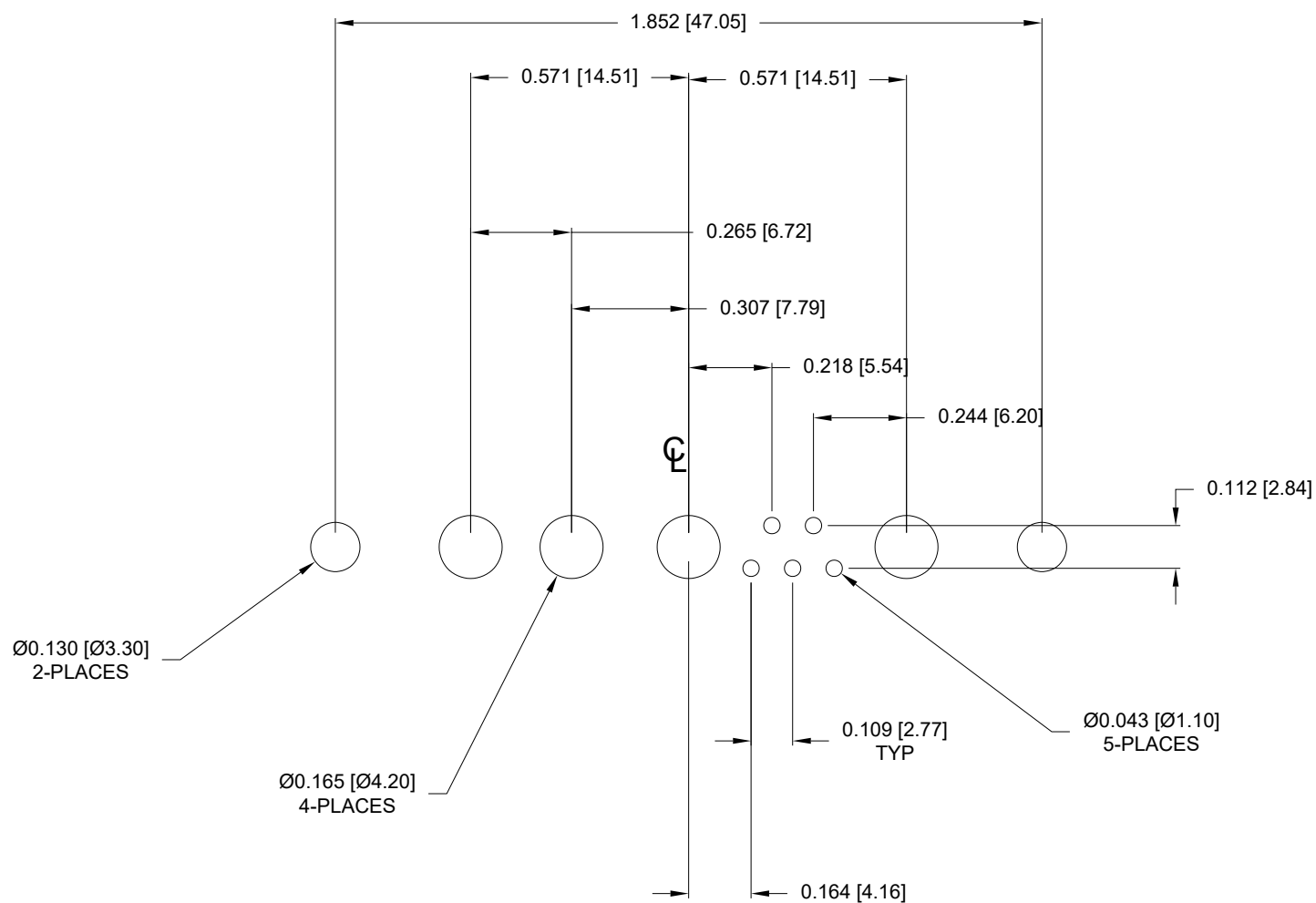
POWER CONTACTS

RoHS COMPLIANT

UNITS = INCHES [MM] DO NOT SCALE FROM DRAWING

	THESE DRAWINGS AND SPECIFICATIONS ARE THE PROPERTY OF NorComp AND SHALL NOT BE REPRODUCED, COPIED OR USED AS THE BASIS FOR THE MANUFACTURE OR SALE OF APPARATUS WITHOUT WRITTEN PERMISSION.	DRAWN: <b>M. SIGMON</b>
		DATE: <b>08-06-2012</b>

	SCALE: NTS	SHEET 2 OF 4	REV 3
	DWG NO. <b>681S9W4103LYYY</b>		



RoHS COMPLIANT

UNITS = INCHES [MM] DO NOT SCALE FROM DRAWING

**NC**  
 THESE DRAWINGS AND SPECIFICATIONS ARE THE PROPERTY OF NorComp AND SHALL NOT BE REPRODUCED, COPIED OR USED AS THE BASIS FOR THE MANUFACTURE OR SALE OF APPARATUS WITHOUT WRITTEN PERMISSION.

DRAWN:  
**M. SIGMON**  
 DATE:  
 08-06-2012

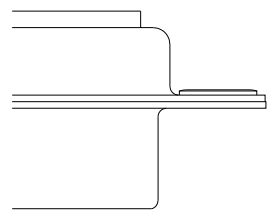
**NorComp**

SCALE: NTS	SHEET 3	OF 4	REV 3
DWG NO.		681S9W4103LYYY	

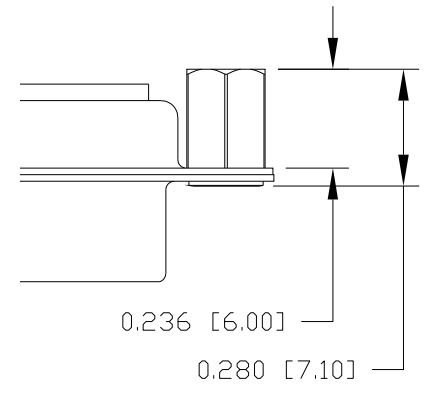
ALL CLINCH-NUTS ARE 4-40 INTERNAL THREADS

TOLERANCE:  
ALL DIMENSIONS ARE ±0.010

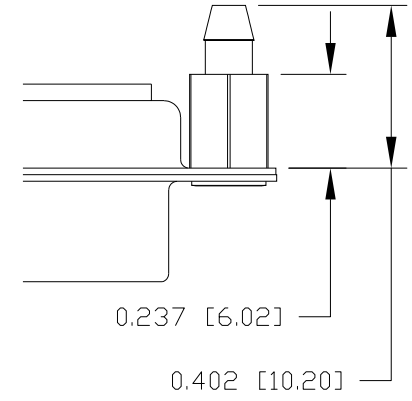
0 ..... NO HARDWARE



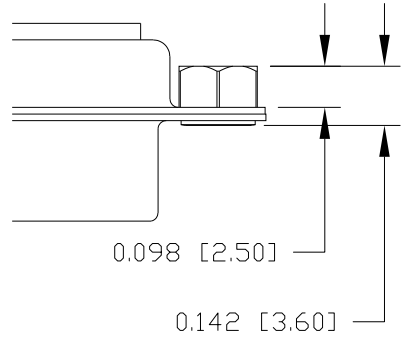
2 ..... 0.236" PCB SIDE



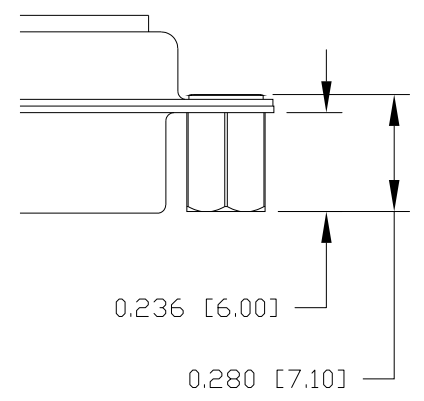
4 ..... 0.237" PCB SIDE



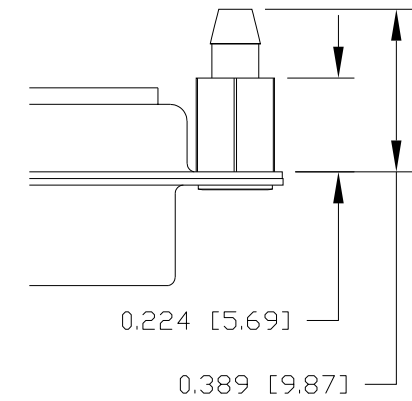
1 ..... 0.098" PCB SIDE



3 ..... 0.236" MATING SIDE



5 ..... 0.224" PCB SIDE



RoHS COMPLIANT

UNITS = INCHES [MM] DO NOT SCALE FROM DRAWING



THESE DRAWINGS AND SPECIFICATIONS ARE THE PROPERTY OF NorComp AND SHALL NOT BE REPRODUCED, COPIED OR USED AS THE BASIS FOR THE MANUFACTURE OR SALE OF APPARATUS WITHOUT WRITTEN PERMISSION.

DRAWN:  
**M. SIGMON**  
DATE:  
**08-06-2012**

**NorComp**

SCALE: NTS	SHEET 4	OF 4	REV 3
DWG NO.		<b>681S9W4103LYYY</b>	