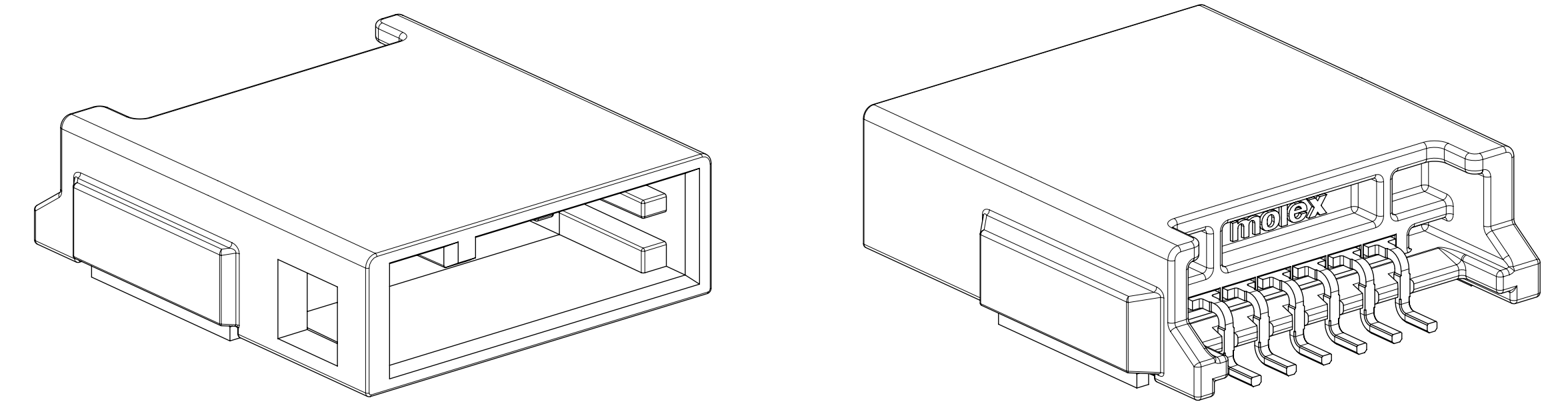


**EXAMPLE:**

PN 2080333041  
 208033 - SERIES NUMBER: SINGLE ROW RIGHT ANGLE SMT HEADER - STD. PERF.  
 3 - TYPE OF COMPONENT: V0 MATERIAL; FULLY POPULATED  
 04 - 4 USABLE CIRCUITS  
 1 - KEY A

FINAL PART: 4CKT SINGLE ROW RIGHT ANGLE V0 SMT HEADER - KEY A

# CONNTAK50 SINGLE ROW RIGHT ANGLE SMT HEADERS (6CKT SHOWN)



|                  | SERIES NUMBERS (AAAAAA)                             | TYPE OF COMPONENT (B)   | USABLE CIRCUITS (CC) | KEY (D)   |
|------------------|---|---|----------------------|-----------|
| MATING COMPONENT | 205827 - SR TANG RECEPTACLE                         | 2 - STD MATL; FULLY POPULATED<br>3 - V0 MATL; FULLY POPULATED | 02 - 2 Circuits      | 1 - KEY A |
| ON DRAWING       | 208037 - SR CLEAN BODY RECEPTACLE                   |   | ...                  | 2 - KEY B |
|                  | 208033 - SR RIGHT ANGLE SMT HEADER - STANDARD PERF. |   | ...                  | 3 - KEY C |
| OTHER            | 208035 - SR VERTICAL SMT HEADER - STANDARD PERF.    |   | 11 - 11 Circuits     | 4 - KEY D |

**NOTES:**

- VALID UNLESS OTHERWISE SPECIFIED
- GENERAL:
    - APPLICATION SPECIFICATION SEE: 2046310000-AS
    - PRODUCT SPECIFICATION SEE: 2046310000-PS
    - PACKAGING SPECIFICATION PER MOLEX DRAWING: 2080333021-PK
      - PACKAGING IS TAPE & REEL
    - COMPATIBLE WITH STANDARD AK INTERFACE C-114-94000-20 REV A1
    - CONFORMS TO MOLEX AK INTERFACE 2046310001 REV A
      - MOLEX AK INTERFACE IS PART OF PPAP
    - TRACEABILITY MARKED IN AREA SHOWN. MARK IS CODED AS FOLLOWS:
      - ROW 1 ("XXXXXXXX" OR "XXXXXXXX-X"):
        - "XXXXXXXX" IS MOLEX PART NUMBER ("-X" INDICATES ASSEMBLY LINE NUMBER IF APPLICABLE)
      - ROW 2 (HHDDYY Z)
        - 1ST & 2ND DIGITS (HH): HOUR OF ASSEMBLY (24 HOUR CLOCK) (EXAMPLE: 15:00 --> "15", 7:00 --> "07")
        - 3RD THRU 5TH DIGITS (DDD): JULIAN DATE (EXAMPLE: FEBRUARY 3RD --> "034")
        - 6TH & 7TH DIGITS (YY): LAST 2 DIGITS OF CALENDAR YEAR (EXAMPLE: 2013 --> "13")
        - 8TH DIGIT (Z): PERFORMANCE MARKING.
  - DESIGN - MATERIALS:
    - SHROUD (PLASTIC HOUSING): PA9T-GF30%
    - BLADES:
      - STANDARD PERFORMANCE BLADES
      - BASE MATERIAL: C26000 BRASS
      - UNDERPLATING (CONTACT REGION): NICKEL 1.0 - 1.8 μm
      - OVERPLATING (CONTACT REGION): MATTE TIN: 1.0 - 3.0 μm
  - DESIGN - GEOMETRY:
    - GEOMETRIC DIMENSIONS AND TOLERANCES PER ASME Y14.5M-2009

| INTERFACE | INTERFACE CKT SIZE | DIM A | DIM B | DIM C | DIM D | DIM E | DIM F | KEY | COLOR   | PART NUMBER | TOOLING STATUS           |
|-----------|--------------------|-------|-------|-------|-------|-------|-------|-----|---------|-------------|--------------------------|
|           | 2                  | 11.95 | 10.45 | 4.95  | 0.375 | 5.60  | 0.375 | A   | BLACK   | 2080333021  | AVAILABLE                |
|           |                    |       |       |       |       |       |       | B   | NATURAL | 2080333022  |                          |
|           |                    |       |       |       |       |       |       | C   | BLUE    | 2080333023  |                          |
|           |                    |       |       |       |       |       |       | D   | VIOLET  | 2080333024  |                          |
|           | 3                  | 13.75 | 12.25 | 5.85  | 1.275 | 6.50  | 1.275 | A   | BLACK   | 2080333031  | AVAILABLE                |
|           |                    |       |       |       |       |       |       | B   | NATURAL | 2080333032  |                          |
|           |                    |       |       |       |       |       |       | C   | BLUE    | 2080333033  |                          |
|           |                    |       |       |       |       |       |       | D   | VIOLET  | 2080333034  |                          |
|           | 4                  | 15.55 | 14.05 | 6.75  | 2.175 | 7.40  | 2.175 | A   | BLACK   | 2080333041  | AVAILABLE                |
|           |                    |       |       |       |       |       |       | B   | NATURAL | 2080333042  |                          |
|           |                    |       |       |       |       |       |       | C   | BLUE    | 2080333043  |                          |
|           |                    |       |       |       |       |       |       | D   | VIOLET  | 2080333044  |                          |
|           | 5                  | 17.35 | 15.85 | 7.65  | 3.075 | 8.30  | 3.075 | A   | BLACK   | 2080333051  | AVAILABLE                |
|           |                    |       |       |       |       |       |       | B   | NATURAL | 2080333052  |                          |
|           |                    |       |       |       |       |       |       | C   | BLUE    | 2080333053  |                          |
|           |                    |       |       |       |       |       |       | D   | VIOLET  | 2080333054  |                          |
|           | 6                  | 19.15 | 17.65 | 8.55  | 3.975 | 9.20  | 3.975 | A   | BLACK   | 2080333061  | AVAILABLE                |
|           |                    |       |       |       |       |       |       | B   | NATURAL | 2080333062  |                          |
|           |                    |       |       |       |       |       |       | C   | BLUE    | 2080333063  |                          |
|           |                    |       |       |       |       |       |       | D   | VIOLET  | 2080333064  |                          |
|           | 7                  | 20.95 | 19.45 | 9.45  | 4.875 | 10.10 | 4.875 | A   | BLACK   | 2080333071  | INQUIRE FOR AVAILABILITY |
|           |                    |       |       |       |       |       |       | B   | NATURAL | 2080333072  |                          |
|           |                    |       |       |       |       |       |       | C   | BLUE    | 2080333073  |                          |
|           |                    |       |       |       |       |       |       | D   | VIOLET  | 2080333074  |                          |
|           | 8                  | 22.75 | 21.25 | 10.35 | 5.775 | 11.00 | 5.775 | A   | BLACK   | 2080333081  | INQUIRE FOR AVAILABILITY |
|           |                    |       |       |       |       |       |       | B   | NATURAL | 2080333082  |                          |
|           |                    |       |       |       |       |       |       | C   | BLUE    | 2080333083  |                          |
|           |                    |       |       |       |       |       |       | D   | VIOLET  | 2080333084  |                          |
|           | 9                  | 24.55 | 23.05 | 11.25 | 6.675 | 11.90 | 6.675 | A   | BLACK   | 2080333091  | INQUIRE FOR AVAILABILITY |
|           |                    |       |       |       |       |       |       | B   | NATURAL | 2080333092  |                          |
|           |                    |       |       |       |       |       |       | C   | BLUE    | 2080333093  |                          |
|           |                    |       |       |       |       |       |       | D   | VIOLET  | 2080333094  |                          |
|           | 10                 | 26.35 | 24.85 | 12.15 | 7.575 | 12.80 | 7.575 | A   | BLACK   | 2080333101  | INQUIRE FOR AVAILABILITY |
|           |                    |       |       |       |       |       |       | B   | NATURAL | 2080333102  |                          |
|           |                    |       |       |       |       |       |       | C   | BLUE    | 2080333103  |                          |
|           |                    |       |       |       |       |       |       | D   | VIOLET  | 2080333104  |                          |
|           | 11                 | 28.15 | 26.65 | 13.05 | 8.475 | 13.70 | 8.475 | A   | BLACK   | 2080333111  | INQUIRE FOR AVAILABILITY |
|           |                    |       |       |       |       |       |       | B   | NATURAL | 2080333112  |                          |
|           |                    |       |       |       |       |       |       | C   | BLUE    | 2080333113  |                          |
|           |                    |       |       |       |       |       |       | D   | VIOLET  | 2080333114  |                          |

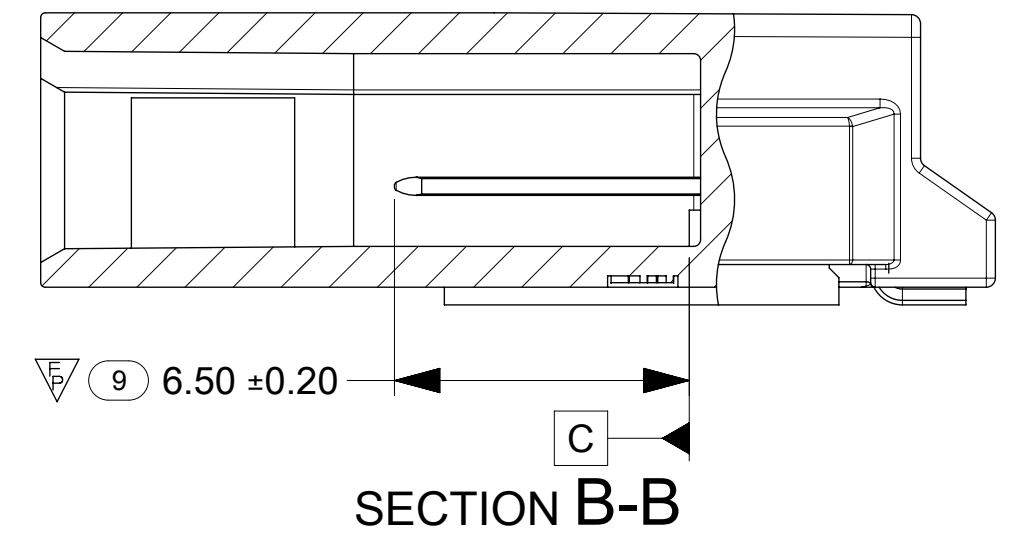
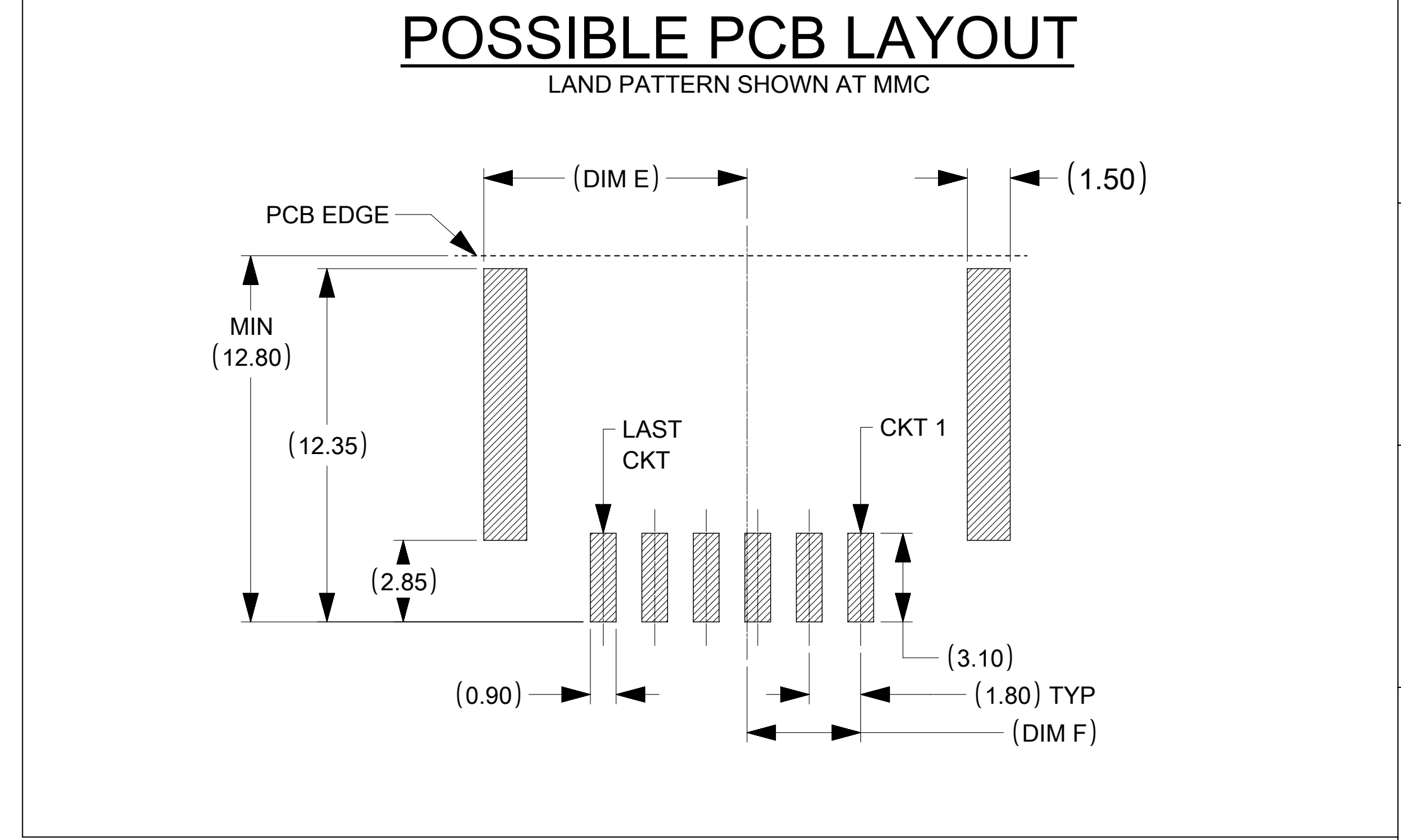
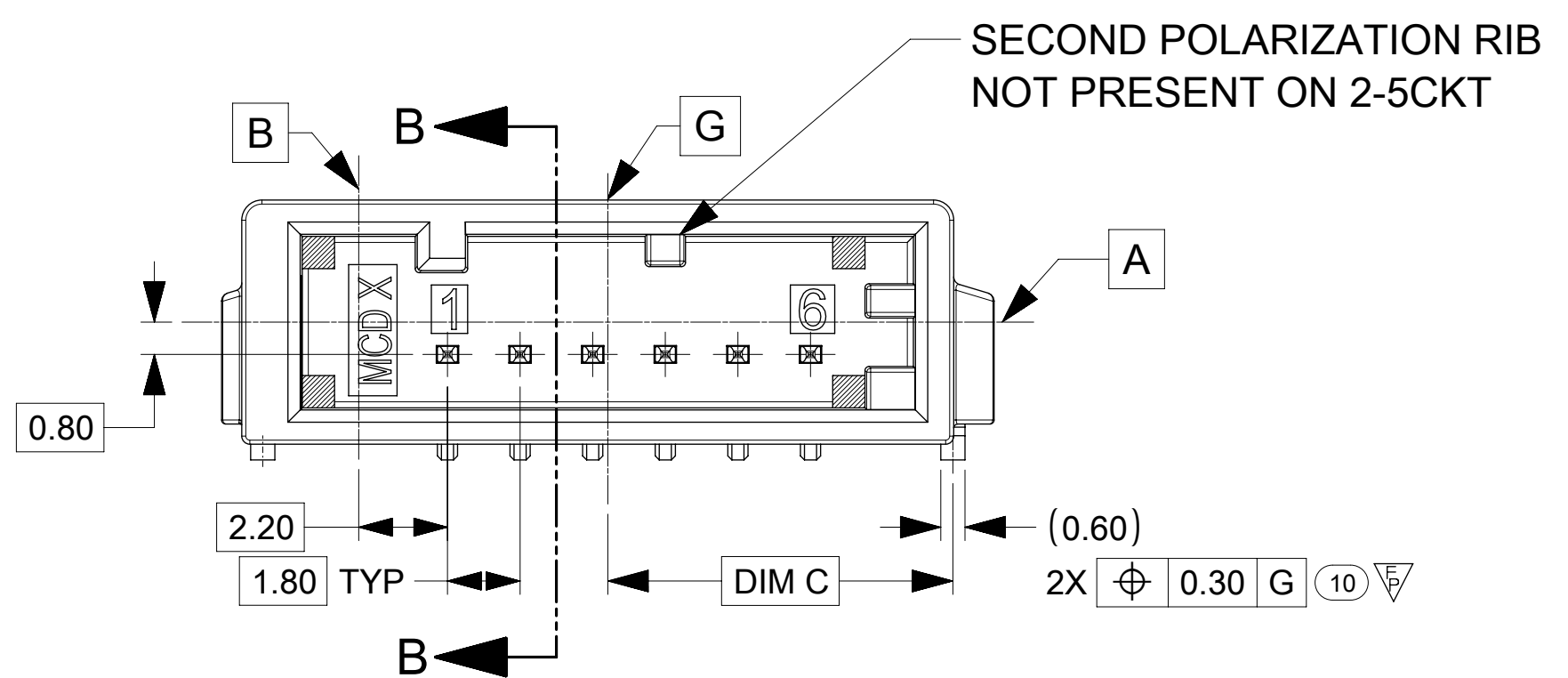
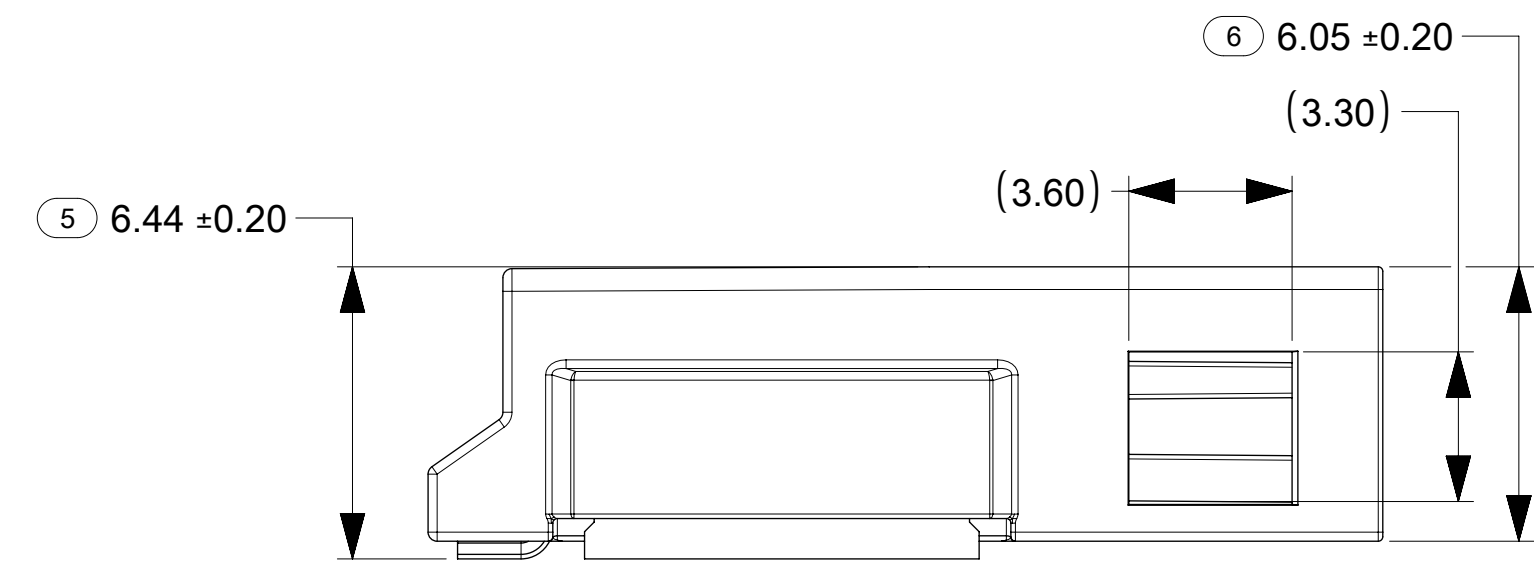
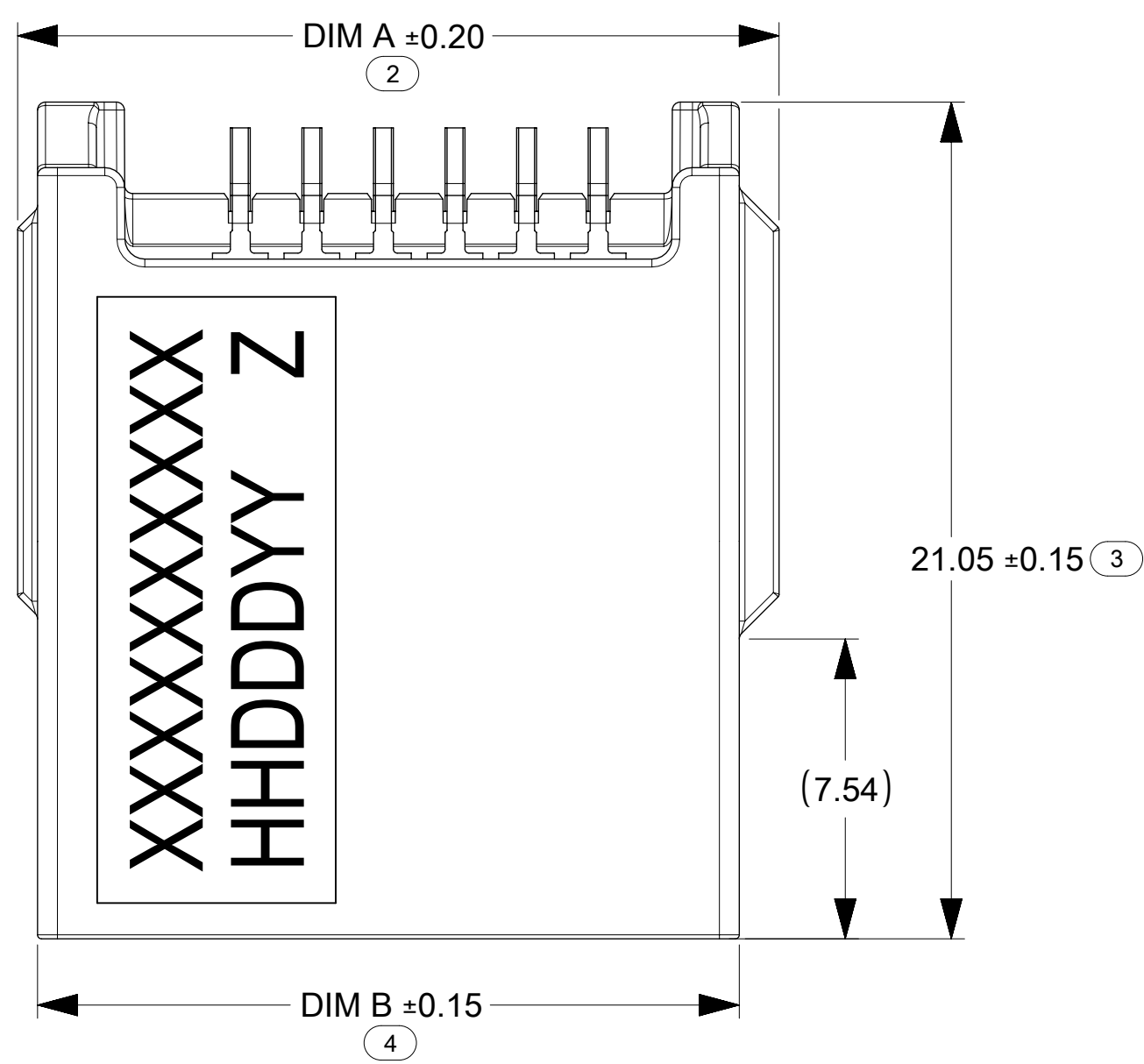
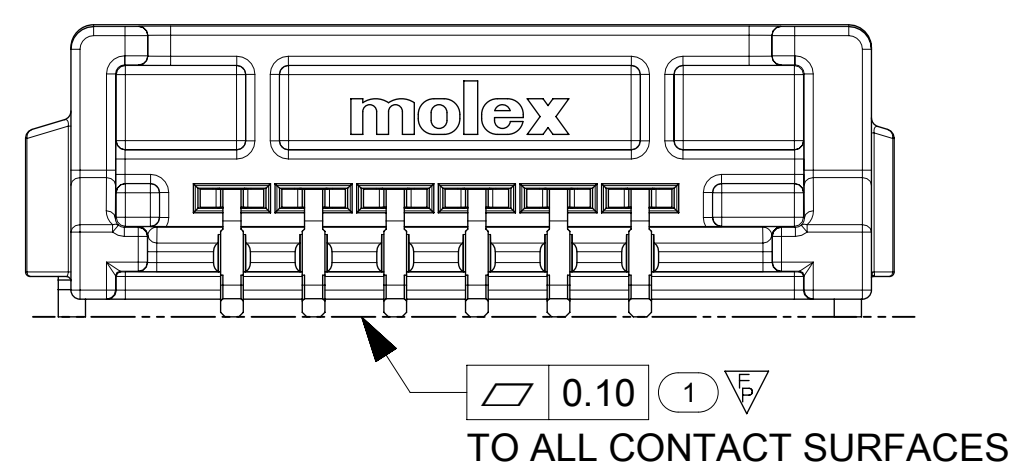
STANDARD PERF. RIGHT ANGLE V0 SMT HEADER

PERFORMANCE MARK: S

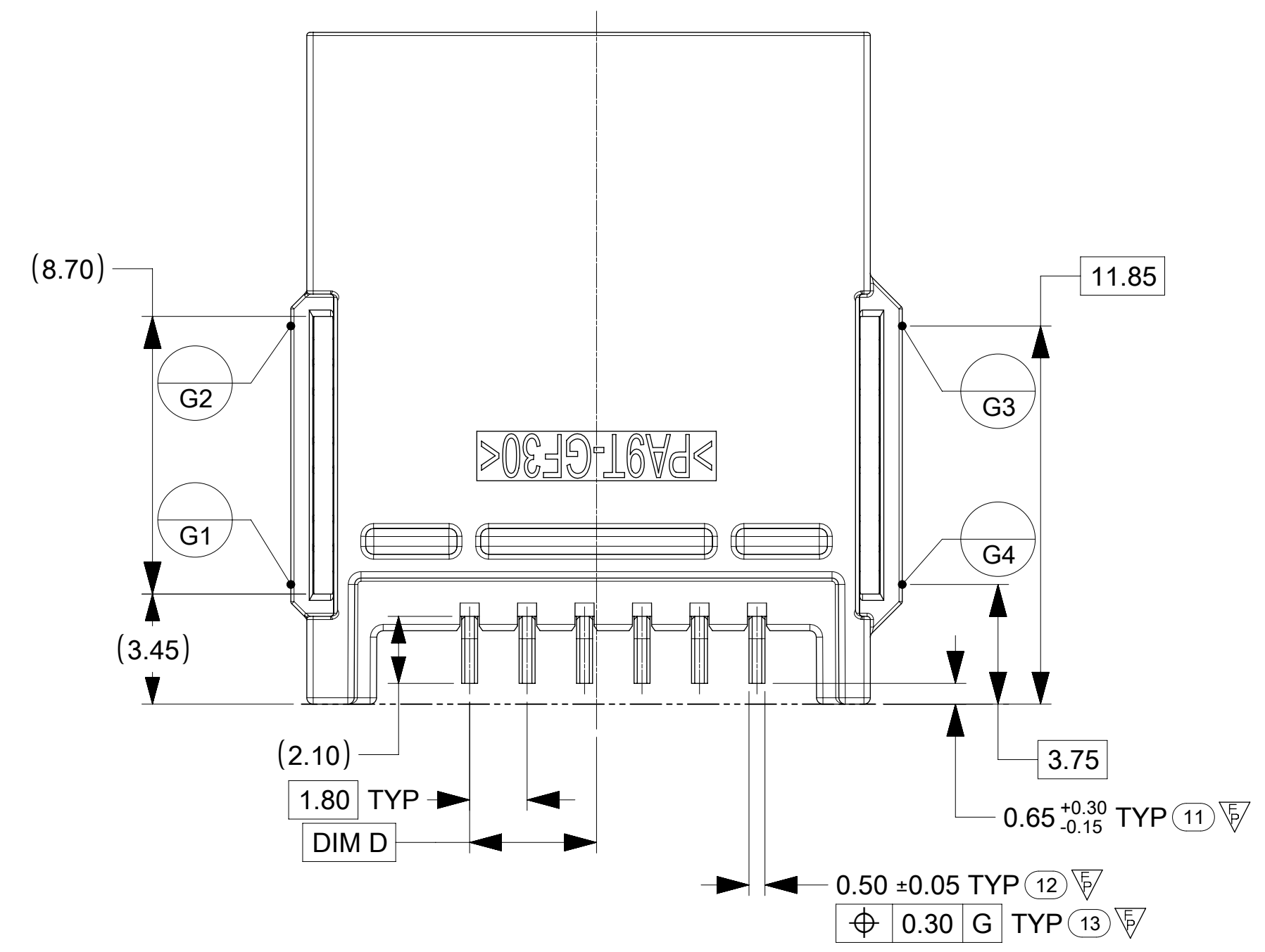
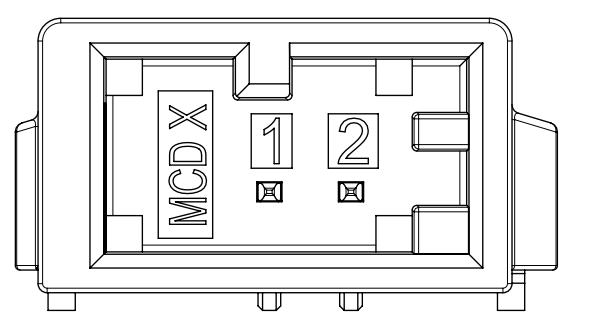
|   |  |  |   |
|---|--|--|---|
| INSPECTION BALLOON LOG  |  | B4   | UPDATED: POL B COLOR FROM GREY TO NATURAL IN BOM  |
| PER DRAWING REVISION: B4  |  | B3   | NO CHANGE TO SALES DRAWING, CHANGED ENGINEERING AND ASSEMBLY DRAWINGS   |
| LAST BALLOON USED: 13   |  | B2   | UPDATED TOLERANCE ON DIM 6 FROM 0.05 TO 0.20MM  |
| ADDED BALLOON NUMBERS: 10, 11, 12, 13   |  | B1   | UPDATED SR CLEAN BODY SERIES NUMBER SHOWN IN TABLE, CORRECTED DIM D   |
| REMOVED BALLOON NUMBERS: 7, 8   |  | B  | REMOVED DATUMS D, E, & F; ADDED DATUM G; UPDATED PCB LAYOUT; REMOVED DIM 7, 8; ADDED DIMS 10, 11, 12, 13; REMOVED HIGH PERFORMANCE PART NUMBERS; UPDATED STANDARD PERFORMANCE PLATING |
| THIS DRAWING CONTAINS INFORMATION THAT IS PROPRIETARY TO MOLEX ELECTRONIC TECHNOLOGIES, LLC AND SHOULD NOT BE USED WITHOUT WRITTEN PERMISSION |  | A3   | UPDATED DIMS 7 & 8 FROM 0.20 TO 0.25MM; UPDATED DIM E; ADDED DIM 9  |
| DIMENSION UNITS: mm   |  | A2   | UPDATED VARIABLE DIMENSION TABLE; ORDER OF VARIABLE DIMENSIONS HAS CHANGED; DIM G IS CREATED.   |
| SCALE: 5:1  |  | A1   | LATCH WALL MODIFICATION; DATUM D & DATUM E CHANGE; TRACEABILITY MARKINGS ADDED  |
| CURRENT REV DESC:   |  | REV  | DESCRIPTION   |
| GENERAL TOLERANCES (UNLESS SPECIFIED)   |  | <p>EC NO: 675538</p> <p>DRWN: KHEWITT 2021/08/19</p> <p>CHK'D: VBALASUBRAMA 2021/08/23</p> <p>APPR: JDUNAJ 2021/08/26</p> <p>INITIAL REVISION:</p> <p>DRWN: ECOLARUSSO 2018/11/05</p> <p>APPR: JDUNAJ 2018/12/20</p> |   |
| ANGULAR TOL ± °   |  | <p>CONNTAK50 SR R/A SMT SALES DRAWING (SINGLE ROW RIGHT ANGLE SMT HEADER)</p> <p>PRODUCT CUSTOMER DRAWING</p>  |   |
| 4 PLACES ±  |  | DOCUMENT NUMBER: 2080330003  |   |
| 3 PLACES ±  |  | DOC TYPE: PSD  |   |
| 2 PLACES ±  |  | DOC PART: 000  |   |
| 1 PLACE ±   |  | REVISION: B4   |   |
| 0 PLACES ±  |  | SHEET NUMBER: 1 OF 2   |   |
| DRAFT WHERE APPLICABLE MUST REMAIN WITHIN DIMENSIONS  |  | <p>DRAWING: D-SIZE</p> <p>SERIES: 208033</p> <p>MATERIAL NUMBER: SEE TABLE</p> <p>CUSTOMER: GENERAL MARKET</p>   |   |

6CKT KEY A (2080333061) SHOWN EXCEPT WHERE NOTED

REFER TO 2046310001 FOR INTERFACE DIMENSIONS



2CKT SHOWN FOR REFERENCE



| KEYING OPTIONS                           |   |   |   |
|--|---|---|---|
| <b>KEY A</b><br>(BLACK)<br><br>SCALE 8:1 | <b>KEY B</b><br>(GREY)<br><br>SCALE 8:1 | <b>KEY C</b><br>(BLUE)<br><br>SCALE 8:1 | <b>KEY D</b><br>(VIOLET)<br><br>SCALE 8:1 |

THIS DRAWING CONTAINS INFORMATION THAT IS PROPRIETARY TO MOLEX ELECTRONIC TECHNOLOGIES, LLC AND SHOULD NOT BE USED WITHOUT WRITTEN PERMISSION

|  |             |                             |            |
|--|-------------|-----------------------------|------------|
| DIMENSION UNITS: mm                                  | SCALE: 6:1  | CURRENT REV DESC:           |            |
| GENERAL TOLERANCES (UNLESS SPECIFIED)                |             | EC NO: 675538               |            |
| ANGULAR TOL: ± °                                     | 4 PLACES: ± | DRWN: KHEWITT               | 2021/08/19 |
| 3 PLACES: ±  | 2 PLACES: ± | CHK'D: VBALASUBRAMA         | 2021/08/23 |
| 1 PLACE: ±   | 0 PLACES: ± | APPR: JDUNAJ                | 2021/08/26 |
| DRAFT WHERE APPLICABLE MUST REMAIN WITHIN DIMENSIONS |             | INITIAL REVISION:           |            |
| THIRD ANGLE PROJECTION                               |             | DRWN: ECOLARUSSO            | 2018/11/05 |
| D-DRAWING  |             | APPR: JDUNAJ                | 2018/12/20 |
| SERIES: D-SIZE 208033                                |             | MATERIAL NUMBER: 2080330003 |            |
| CUSTOMER: GENERAL MARKET                             |             | DOC TYPE: PSD               |            |
| SHEET NUMBER: 2 OF 2                                 |             | DOC PART: 000               |            |
| REVISION: B4   |             | DOC PART: 000               |            |