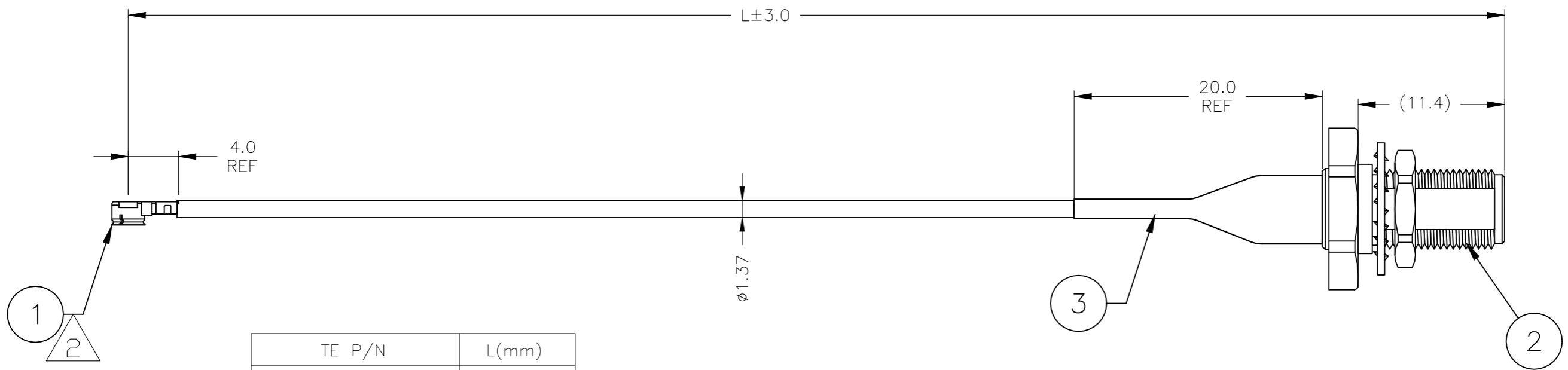
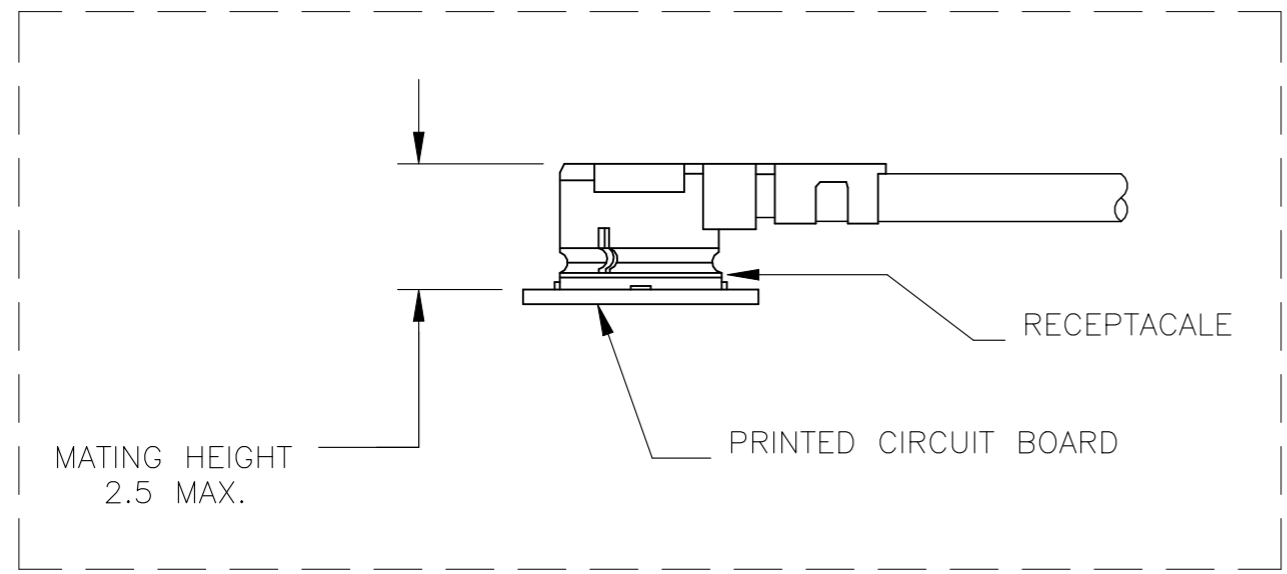


REVISIONS					
P	LTR	DESCRIPTION	DATE	DWN	APVD
	B1	ECR-22-136185	18APR2022	JZ	WKH

1. PRODUCT AND PROCESSING MUST MEET REQUIREMENTS OF TE CONNECTIVITY STANDARD 230-702.
2. HIROSE COMPATIBLE, 2.5 mm MATING HEIGHT.
UMCC CONNECTOR GEN1
FREQUENCY RANGE: 0-9GHz
3. CABLE ASSEMBLY TO BE 100% ELECTRICALLY TESTED FOR OPENS, SHORTS AND CONTINUITY.



TE P/N	L(mm)
2032440-1	200
2032440-2	370
2032440-4	100
2032440-5	180
2032440-6	120
2032440-7	80

A/R	MR	DESCRIPTION	ITEM
		TUBING, HEAT SHRINK	3
1	PC	SMA, BLKHD, JACK	2
1	PC	UMCC GEN1 PLUG [1.37mm CABLE]	1
-*	U/M		

THIS DRAWING IS A CONTROLLED DOCUMENT.		DWN E.C. CLAYBAUGH 04/DEC/07	STE TE Connectivity	
DIMENSIONS: mm [INCHES]		CHK J. ORNER 04/DEC/07		
TOLERANCES UNLESS OTHERWISE SPECIFIED:		APVD J. ORNER 04/DEC/07	NAME CABLE ASSY, RF, UMCC GEN1 PLUG TO SMA BLKHD JACK [1.37mm CABLE]	
0 PLC ± -		PRODUCT SPEC	APPLICATION SPEC	
1 PLC ± -		SIZE A3		
2 PLC ± -		CAGE CODE 00779		
3 PLC ± -		DRAWING NO C-2032440		
4 PLC ± -		RESTRICTED TO		
ANGLES ± -		WEIGHT -		
FINISH		SCALE N.T.S.		
MATERIAL		SHEET 1 OF 1		
		REV B1		
		CUSTOMER DRAWING		