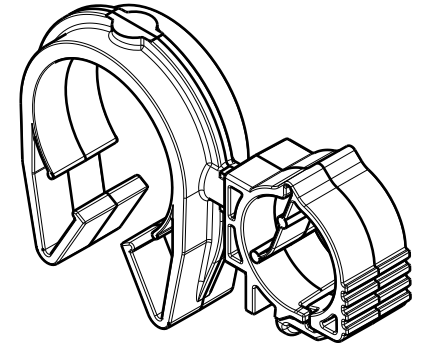
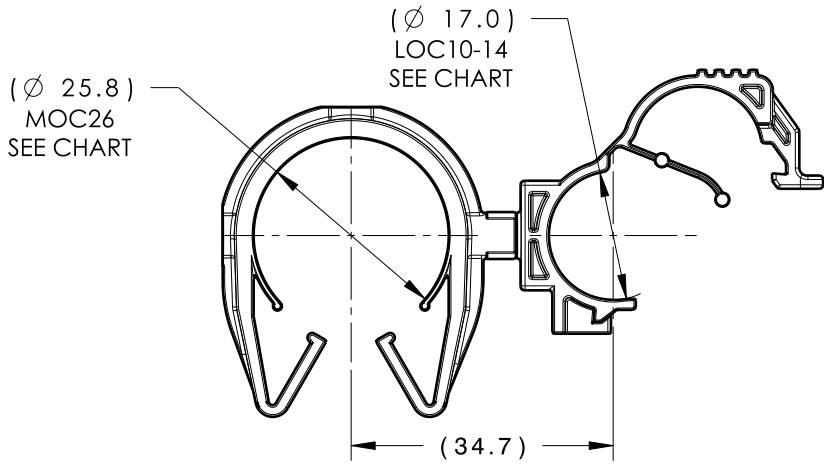
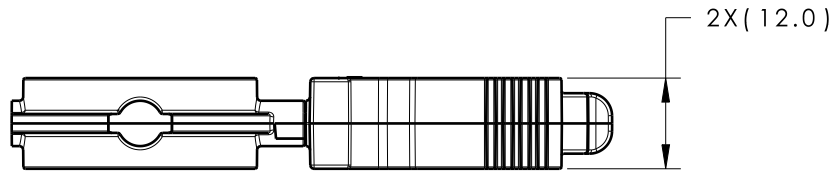
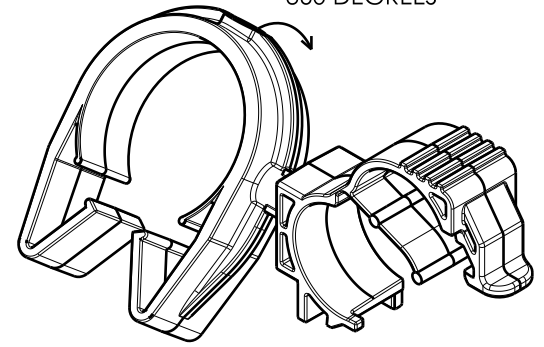


Revision Level			Revision Record	Changed	Date	Approved	Date
Drawing	State	Part					
03.1	Design Release	-	SEE ECN# 015045	TAT	4/3/2019	EJH	4/3/2019



ISOMETRIC VIEW CLOSED

CLIPS ROTATE 360 DEGREES

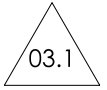


ISOMETRIC VIEW OPEN

TYPE	MOC26F
HARNESS	23.0MM-28.5MM
HOSE	23.0MM-28.5MM
HARD PIPE/TUBE	25.9MM-29.0MM

\*RECOMMENDED SIZES MAY DIFFER DEPENDING ON THE APPLICATION , PRODUCT REQUIREMENTS AND MATERIALS USED

\*\*PATENT PENDING 29/582,271



GLOBAL PART DESCRIPTION	MOC26**			LOC10-14		
	DRAWING	MATERIAL	COLOR	DRAWING	MATERIAL	COLOR
MOC26FLOC10-14-PA66HIRHSUV-BK	16-0325-000-CSU	PA66HIRHSUV	BLACK	11-0594-031-CSU	PA66HIRHSUV	BLACK

Material  
SEE CHART  
COLOR: SEE CHART

Units **millimeters**  
  
Tolerance defined on each dimension

The copyright of this drawing is reserved by HellermannTyton. It is issued on condition that it is not reproduced, copied or disclosed to a third party, either wholly or in part, without the consent of HellermannTyton.

Drawn TAT 5/19/17  
Approved EJH 5/22/17

**HellermannTyton**

North America  
Email: corp@htamericas.com  
Web: www.hellermann.tyton.com

Article/Type-No MOC26FLOC10-14<sup>03.1</sup>  
Title 26MM MOC COUPLED TO 10-14MM LOC  
Drawing-No PRODUCTION : Phase  
**16-0327-262-CSU**

Scale 1:1  
Project Number 16-0327  
Format AH  
Sheet 1/1