

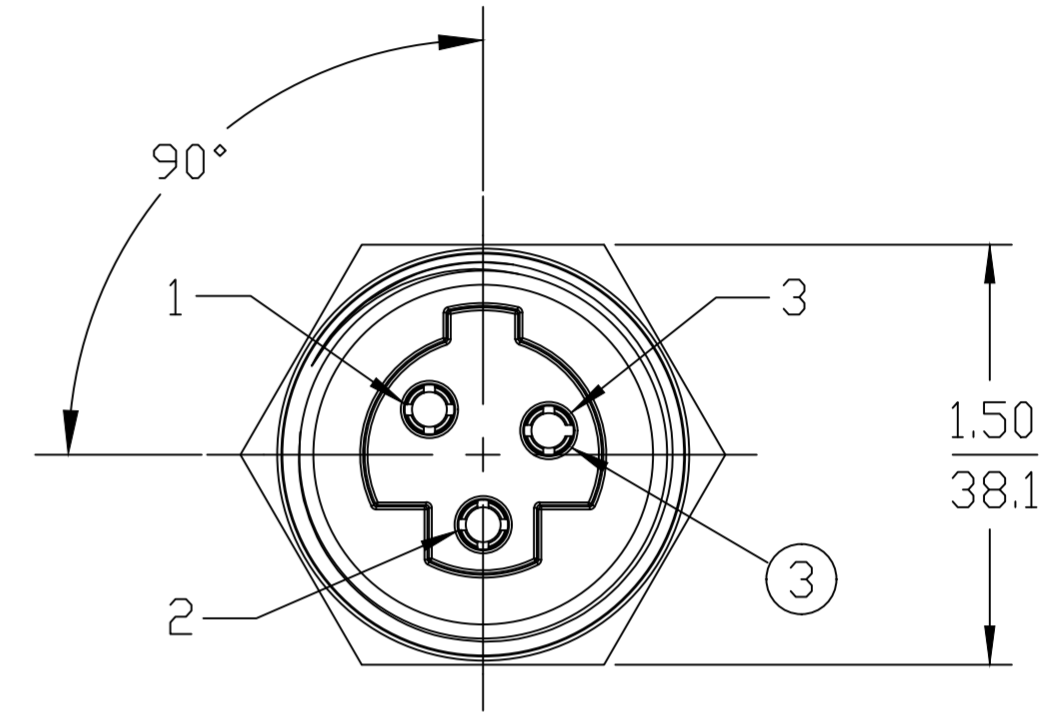
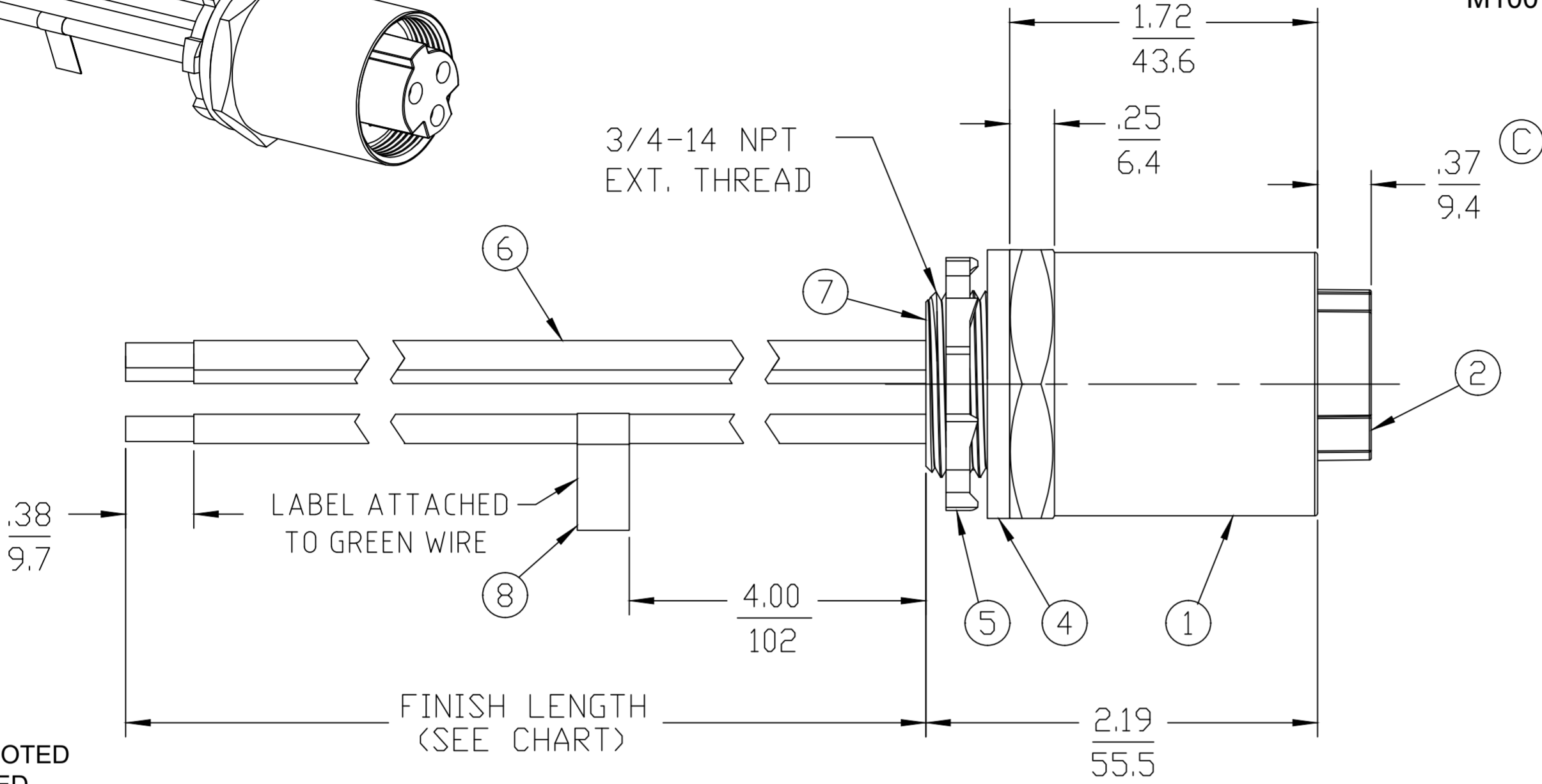
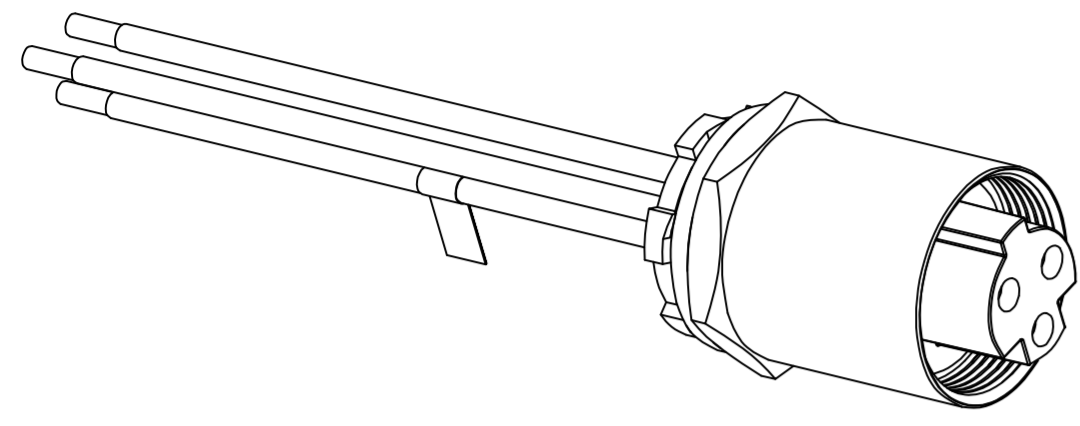
PART NUMBER	ENGINEERING NUMBER	FINISH LENGTH
1300660145	CR3D00A30M010	3.28' [1.0M]
1300660211	CR3D00A30M030	9.84' [3.0M]
1300660258	CR3D00A30M005	1.64' [0.5M]

**PART NUMBER LEGEND**  
**CR3D00A30M005**

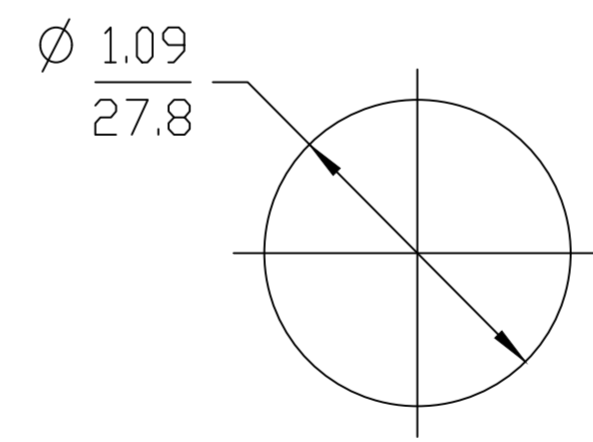
**LENGTH**  
M005 = 0.5 METER  
M010 = 1 METER  
M100 = 10 METER

**CABLE LENGTH TOLERANCES**

>.3M [1FT]:	+19mm-0 [ +.75in-0]
.3 - .9M [1 - 3FT]:	+44.5mm-0 [+1.75in-0]
.9 - 1.8M [3 - 6FT]:	+55.6mm-0 [+2.19in-0]
1.8 - 3.7M [6 - 12FT]:	+88.9mm-0 [+3.50in-0]
3.7 - 7.3M [12 - 24FT]:	+165.1mm-0 [+6.50in-0]
7.3-14.6M [24 - 48FT]:	+317.5mm-0 [+12.50in-0]
14.6 - 30.5M [48-100FT]:	+622.3mm-0 [+24.50in-0]
OVER 30M [100FT]	+2% OF FINISHED LENGTH



- NOTES:**
1. MATERIAL: AS NOTED
  2. FINISH: AS NOTED
  3. ELECTRICAL:  
VOLTAGE: 3P: 630V PER IEC60664  
600V PER UL2237  
CURRENT: 32A
  4. TEMP RATING: -20°TO +90°C
  5. PROTECTION: IP67 (WHEN MATED)
  6. COUPLING THREAD: 1 3/8-16 UN
  7. UL LISTED FILE: E258922
  8. ALL DIMS ARE FOR REFERENCE UNLESS NOTED OR DIMENSIONED OTHERWISE



BLACK	1
GREEN/YELLOW	2
WHITE	3

TYPICAL KNOCKOUT

WIRING DIAGRAM

8	FLAG LABEL	VINYL	YELLOW
7	POTTING	EPOXY	BLACK
6	#10-1 AWG UL1015 WIRE	PVC JACKET	SEE WIRING DIAGRAM
5	LOCKNUT	STEEL	ZINC PLATED
4	GASKET	NEOPRENE	BLACK
3	SOCKET CONTACT	COPPER ALLOY	GOLD PLATED
2	FEMALE INSERT, 3 POLE	TPE (C)	BLACK
1	RECEPTACLE SHELL	ALUMINUM	BLACK ANODIZED
ITEM	DESCRIPTION	MATERIAL	FINISH

REF. THIS DRAWING SUPERSEDES CO-CREATE DOC REV.

SYMBOLS		THIS DRAWING CONTAINS INFORMATION THAT IS PROPRIETARY TO MOLEX ELECTRONIC TECHNOLOGIES, LLC AND SHOULD NOT BE USED WITHOUT WRITTEN PERMISSION		CURRENT REV DESC: GREEN/YELL WIRE WAS GREEN, CORRECTED .37 DIM, INSERT WAS PVC	
DIMENSION UNITS		SCALE		EC NO: 626034	
INCH/MM		1:1		DRWN: RSTONE 2019/10/18	
GENERAL TOLERANCES (UNLESS SPECIFIED)				CHK'D: MZIELINSKI 2020/01/10	
4 PLACES ±----		mm INCH		APPR: BWOODMAN 2020/01/21	
3 PLACES ±----				INITIAL REVISION:	
2 PLACES ±----				DRWN: CLYORK 2010/01/19	
1 PLACE ±----				APPR: DTITUS 2010/01/20	
0 PLACES ±----				THIRD ANGLE PROJECTION	
ANGULAR TOL ± ---- °				DRAWING	
DRAFT WHERE APPLICABLE MUST REMAIN WITHIN DIMENSIONS				SERIES	
				C-SIZE 130066	
DOCUMENT STATUS		P1		RELEASE DATE 2020/01/21 20:08:16	
DOCUMENT NUMBER		SD-130066-061		DOC TYPE DOC PART REVISION	
MATERIAL NUMBER		GENERAL MARKET		PSD 001 C	
CUSTOMER		GENERAL MARKET		SHEET NUMBER	
				1 OF 1	