

THIS DRAWING IS UNPUBLISHED.

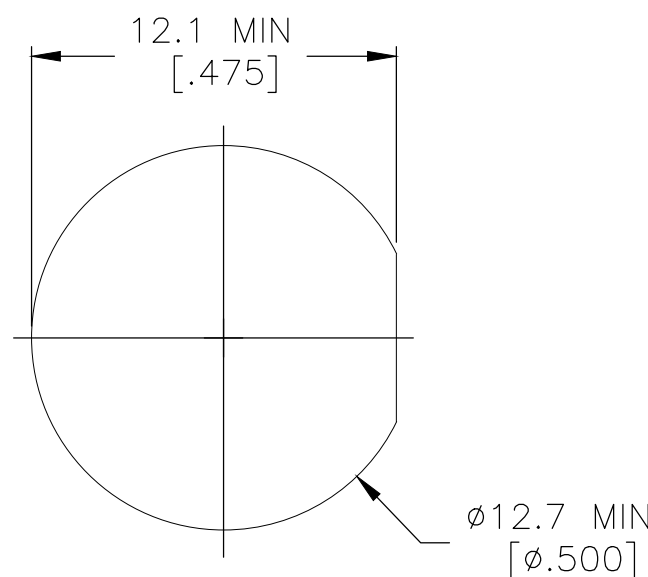
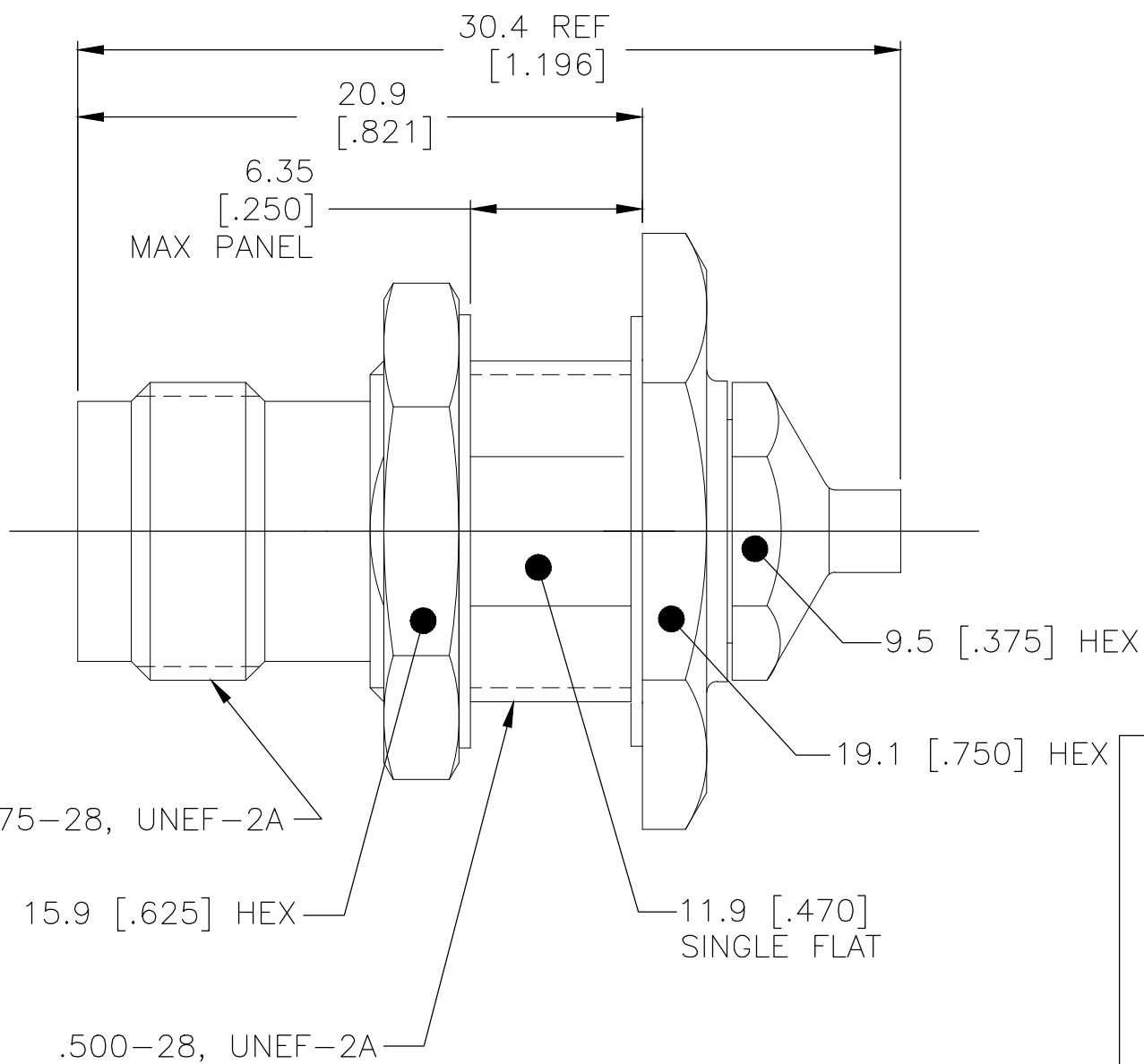
RELEASED FOR PUBLICATION

REVISIONS

© COPYRIGHT - TE Connectivity Ltd.

ALL RIGHTS RESERVED.

P	LTR	DESCRIPTION	DATE	DWN	APVD
	A2	REVISED PER ECR-19-002313	13FEB2019	ED	RS



1. SEE INSTRUCTION SHEET 408-8205.

COMPONENT	MATERIAL	FINISH
REAR HOUSING MOUNTING NUT LOCKWASHER	STAINLESS STEEL PER ASTM-A484 AND ASTM-A582	PASSIVATE PER QQ-P-35
FRONT HOUSING	BRASS PER ASTM-B-16	GOLD PLATE PER ASTM-B488
DIELECTRIC	TFE FLUOROCARBON PER ASTM-D-1710	N/A
CENTER CONTACT	BERYLLIUM COPPER PER ASTM-B-196 OR ASTM-B-197	GOLD PLATE PER ASTM-B488 N/A
GASKET	SILICONE RUBBER PER ZZ-R-765	

DESIGNED FOR USE WITH .141" S.R.	
CABLE ENTRY DIAMETER MINIMUM	
HOUSING	3.61 [.142]
CONTACT	1.07 [.042]

THIS DRAWING IS A CONTROLLED DOCUMENT.		DWN R.M.K. 3/5/70	STE TE Connectivity		
DIMENSIONS: mm [INCHES]		CHK B.W.C. 6/29/70			
TOLERANCES UNLESS OTHERWISE SPECIFIED:		APVD T.A.R. 6/29/70	NAME		
0 PLC ± -		PRODUCT SPEC	TNC STRAIGHT BULKHEAD CABLE JACK DIRECT SOLDER VERSION		
1 PLC ± 0.13 [.005]		APPLICATION SPEC	SIZE	CAGE CODE	DRAWING NO
2 PLC ± -		RESTRICTED TO	A3 00779 C-1057676		
3 PLC ± -		WEIGHT	0.000000		
4 PLC ± -		CUSTOMER DRAWING	SCALE 4:1 SHEET 1 OF 1 REV A2		
ANGLES ± 1°					
FINISH					