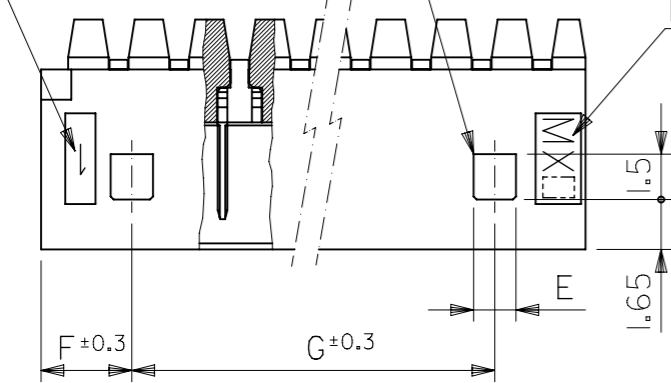
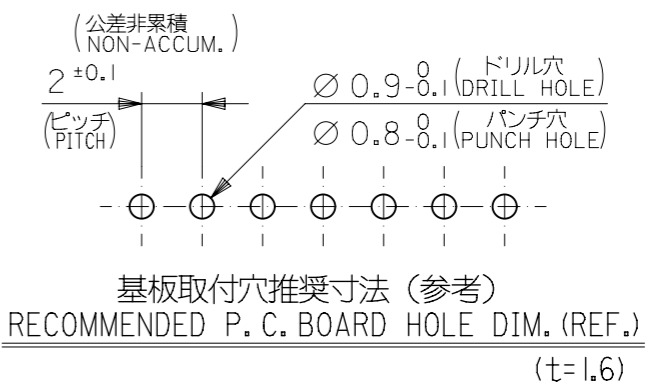
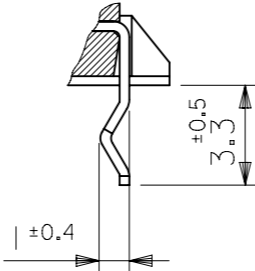


回路番号1  
CIRCUIT NO. 1

トレードマーク  
TRADE MARK

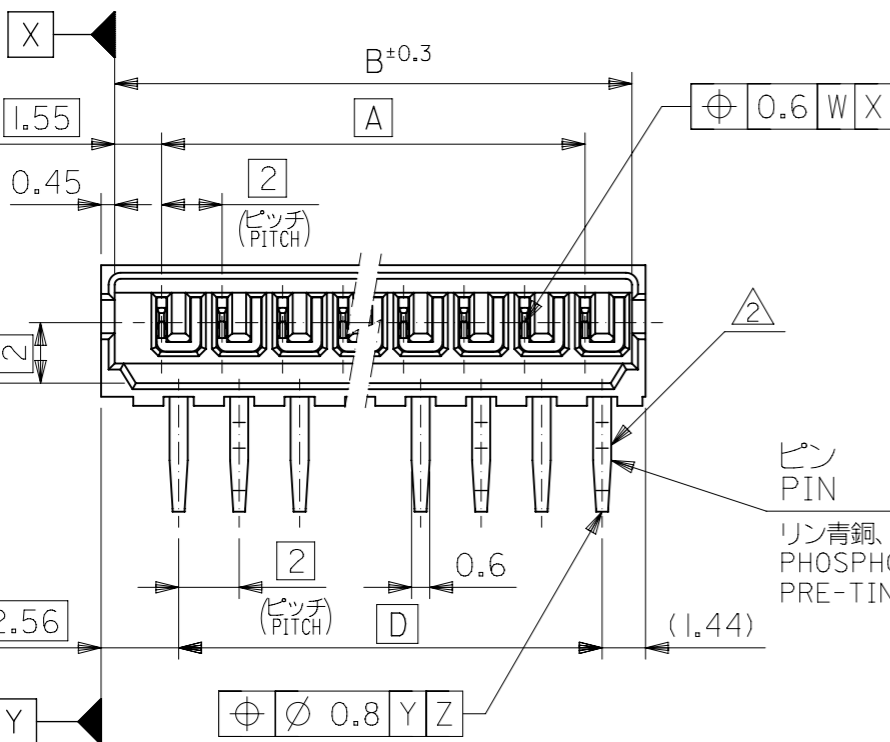


2極品のキンク形態図  
KINK FORM FOR 2 CKTS.  
両方のテールにキンクを施す。  
SOLDER TAIL KINK SHOULD  
BE ADDED ON BOTH TAILS.

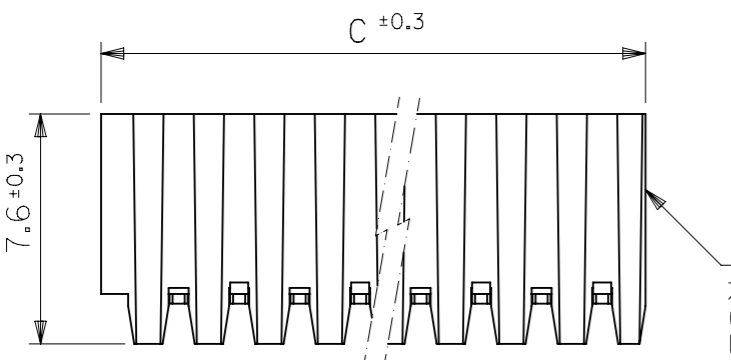
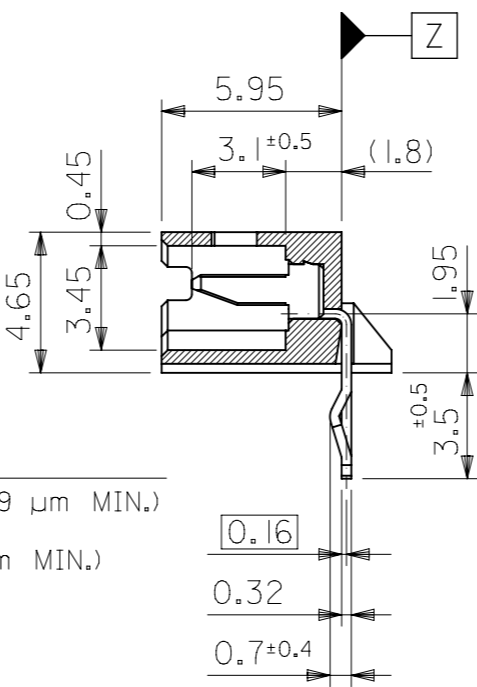


注記 NOTES

- 1. 嵌合相手 : 51004 シリーズ  
MATES WITH : 51004 SERIES
- 2. 3極以上のキンクは、1極おきに2カ所以上に施すこと。  
KINK TO BE ADDED ON THE ODD NUMBER  
SOLDER TAILS.(FROM THE TRADE MARK SIDE)
- 3. ロック穴は、2極と3極は1カ所、4極以上は2カ所とする。  
LOCKING HOLE : ONE PLACE FOR 2 AND 3 CKTS.  
TWO PLACES FOR 4 AND MORE THAN 4 CKTS.



ピン  
PIN  
リン青銅、錫メッキ (0.9 μm MIN.)  
PHOSPHOR BRONZE  
PRE-TINNED(0.9 μm MIN.)



ウェハー  
WAFER  
ガラス繊維入りナイロン66 (カラー: オフホワイト)  
GLASS FIBER FILLED NYLON66 (COLOR: OFF-WHITE)  
UL94V-0

16	3	1.4	18	22	21.1	18	53015-1010	10
12	↑	↑	14	18	17.1	14	↑ -0810	8
10	↑	↑	12	16	15.1	12	↑ -0710	7
8	↑	↑	10	14	13.1	10	↑ -0610	6
6	↓	↓	8	12	11.1	8	↓ -0510	5
4	3	1.4	6	10	9.1	6	↓ -0410	4
—	4	3.4	4	8	7.1	4	53015-0310	3
G	F	E	D	C	B	A	ENG. NO.	極数 NO. OF CKTS.

THIS DRAWING CONTAINS INFORMATION THAT IS PROPRIETARY TO MOLEX ELECTRONIC TECHNOLOGIES, LLC AND SHOULD NOT BE USED WITHOUT WRITTEN PERMISSION

DIMENSION UNITS	SCALE	CURRENT REV DESC:	
mm	4:1	molex	
GENERAL TOLERANCES (UNLESS SPECIFIED)		2.0 LOW PROFILE WAFER ASSY R/A	
	MM	INCH	
角度 ANGLE	±3°	4 PLACES ±	EC NO: 620398
30 以上 OVER	±0.3	3 PLACES ±	DRWN: AKUMAR19 2019/01/07
10 以上 30 未満 UNDER	±0.25	2 PLACES ±	CHK'D: GGA 2019/10/18
10 未満 UNDER	±0.2	1 PLACE ±	APPR: GGA 2019/10/18
一般公差 GENERAL TOLERANCES		0 PLACES ±	INITIAL REVISION:
		ANGULAR TOL ± °	DRWN: H.HIRAMOTO 1993/03/31
DRAFT WHERE APPLICABLE MUST REMAIN WITHIN DIMENSIONS		THIRD ANGLE PROJECTION	APPR: M.FUKUSHIMA 1993/03/31
		DRAWING	SERIES
		A3-SIZE	53015
		MATERIAL NUMBER	CUSTOMER
		SEE TABLE	GENERAL MARKET
		DOCUMENT NUMBER	DOC TYPE DOC PART REVISION
		SD-53015-XX10	PSD 002 F
		SHEET NUMBER	1 OF 1