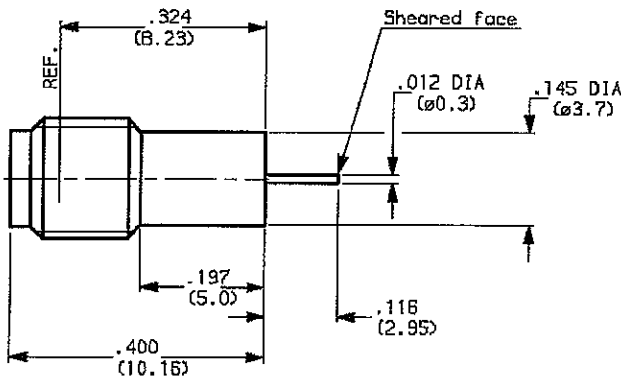


HERMETICALLY SEALED RECEPTACLE  
SOLDER IN TYPE



MOUNTING HOLE

See page 2

5

WEIGHT oz ( g)

CHARACTERISTICS

NOMINAL IMPEDANCE	50 $\Omega$
FREQUENCY RANGE	0-18 GHz
TEMPERATURE RATING	-55/+155 °C
VSWR	TBD GHz
RF INSERTION LOSS	TBD /F dB Maxi
VOLTAGE RATING	250 Vrms Maxi
DIELECTRIC WITHSTANDING VOLTAGE	750 Vrms mini
INSULATION RESISTANCE	5000 Ma mini
HERMETIC SEAL	10-8 cc/s Atm.cm <sup>3</sup> /s
LEAKAGE (pressurized only)	NA psi MPa
-	-
-	-

STANDARDISATION

CABLE RETENTION

NA Lb mini  
N

CENTER CONTACT RETENTION

Axial force - mating end	3.955	Lb mini
Axial force - opposite end	3.955	Lb mini
Torque (Min)	NA	Inch.oz cm.N

RECOMMENDED TORQUES

Mating	NA	Inch.Lb cm.N
Panel nut	NA	Inch.Lb cm.N
Clamp nut	NA	Inch.Lb cm.N

CONSTRUCTION

CONNECTOR PARTS	MATERIALS	FINISH
BODY	STAINLESS STEEL	GOLD OVER NICKEL
OUTER CONTACT	-	-
CENTER CONTACT	BERYLLIUM COPPER	GOLD OVER NICKEL
INSULATORS	PTFE + MATCHED GLASS	-
-	-	-
-	-	-
-	-	-
-	-	-
-	-	-

ISSUE	REVISION No	DESCRIPTION	BY	DATE
C	0640	soldering process	B-VACHON	.
.	.	.	.	.
.	.	.	.	.
.	.	.	.	.

Initiated on 24-01-92

The information given here is subject to change without notice. Design changes may be in order to improve the product.

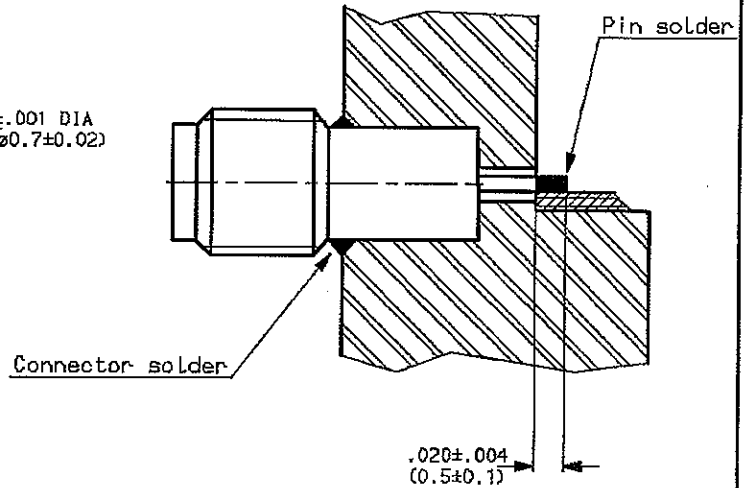
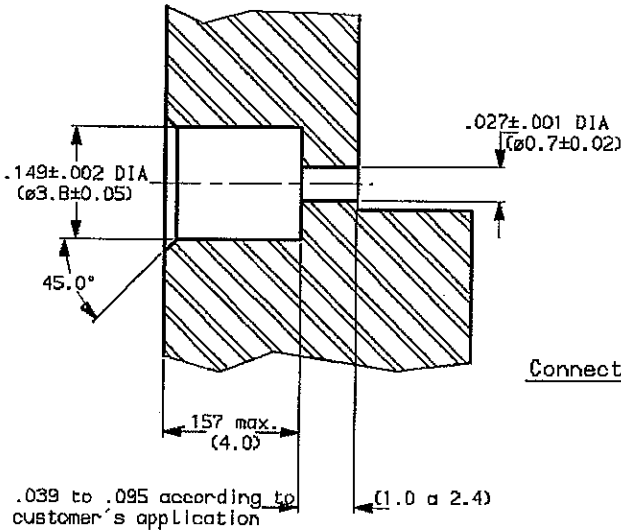


Superseded on

HERMETICALLY SEALED RECEPTACLE  
SOLDER IN TYPE

RECOMMENDED MOUNTING HOLE DETAIL

MOUNTING INSTRUCTIONS



- 1 - Degrease and clean connector and box .
- 2 - Solder the connector on the panel :  
(Temperature 180°C) - Preheating at about 100°C  
Take care not to exceed 250°C during solder operation .
- 3 - Solder the pin on the track ;  
( Temperature 180°C)  
-ceramic substrates : preheating at about 100°C  
-other substrates : no preheating required .

NOTE : Please use a small soldering iron, or hot air soldering system .

ISSUE	REVISION No	DESCRIPTION	BY	DATE
C	0640	solder process	B VACHON	.
.	.	.	.	.
.	.	.	.	.
.	.	.	.	.

Initiated on 24-01-92  
Superseded on --- -- --

The information given here is subject to change without notice. Design changes may be in order to improve the product.

