

UG0856
User Guide
PolarFire FPGA Video Kit



a  **MICROCHIP** company



a  MICROCHIP company

Microsemi Headquarters

One Enterprise, Aliso Viejo,
CA 92656 USA

Within the USA: +1 (800) 713-4113

Outside the USA: +1 (949) 380-6100

Sales: +1 (949) 380-6136

Fax: +1 (949) 215-4996

Email: sales.support@microsemi.com

www.microsemi.com

©2019 Microsemi, a wholly owned subsidiary of Microchip Technology Inc. All rights reserved. Microsemi and the Microsemi logo are registered trademarks of Microsemi Corporation. All other trademarks and service marks are the property of their respective owners.

Microsemi makes no warranty, representation, or guarantee regarding the information contained herein or the suitability of its products and services for any particular purpose, nor does Microsemi assume any liability whatsoever arising out of the application or use of any product or circuit. The products sold hereunder and any other products sold by Microsemi have been subject to limited testing and should not be used in conjunction with mission-critical equipment or applications. Any performance specifications are believed to be reliable but are not verified, and Buyer must conduct and complete all performance and other testing of the products, alone and together with, or installed in, any end-products. Buyer shall not rely on any data and performance specifications or parameters provided by Microsemi. It is the Buyer's responsibility to independently determine suitability of any products and to test and verify the same. The information provided by Microsemi hereunder is provided "as is, where is" and with all faults, and the entire risk associated with such information is entirely with the Buyer. Microsemi does not grant, explicitly or implicitly, to any party any patent rights, licenses, or any other IP rights, whether with regard to such information itself or anything described by such information. Information provided in this document is proprietary to Microsemi, and Microsemi reserves the right to make any changes to the information in this document or to any products and services at any time without notice.

About Microsemi

Microsemi, a wholly owned subsidiary of Microchip Technology Inc. (Nasdaq: MCHP), offers a comprehensive portfolio of semiconductor and system solutions for aerospace & defense, communications, data center and industrial markets. Products include high-performance and radiation-hardened analog mixed-signal integrated circuits, FPGAs, SoCs and ASICs; power management products; timing and synchronization devices and precise time solutions, setting the world's standard for time; voice processing devices; RF solutions; discrete components; enterprise storage and communication solutions, security technologies and scalable anti-tamper products; Ethernet solutions; Power-over-Ethernet ICs and midspans; as well as custom design capabilities and services. Learn more at www.microsemi.com.

Contents

1	Revision History	1
1.1	Revision 1.0	1
2	Getting Started	2
2.1	Kit Contents	2
2.2	Block Diagram	2
2.3	Board Overview	3
3	Hardware Settings	6
3.1	Jumper Settings	6
3.2	LEDs	6
3.3	Power Sources	7
4	Board Components and Operations	9
4.1	Memory Interface	9
4.2	SPI Serial Flash	9
4.3	HDMI1.4 Interface	10
4.4	MIPI- RX Connector (CSI-2 Application)	10
4.5	MIPI-TX Connector (DSI Application)	11
4.6	MIPI-TX connector (CSI-2 Application)	11
4.7	MIPI-TX and RX PCB Loopback	11
4.8	Transceivers	12
4.8.1	XCVR0 Block	12
4.8.2	XCVR1 and XCVR3 Blocks	12
4.8.3	XCVR2 Block	14
4.8.4	XCVR Reference Clock	14
4.9	Programming	15
4.9.1	FTDI and JTAG Header Scheme	15
4.10	50 MHz Oscillator	15
4.11	Device Reset	16
4.12	User Reset	16
4.13	User Interface	16
4.13.1	User LEDs	17
4.13.2	Push-Button Switches	17
4.13.3	Slide Switches (DPDT)	18
4.13.4	DIP Switches (SPST)	18
4.13.5	FMC HPC Connector (J14)	19
4.14	Board Components Placement	19

Figures

Figure 1	Block Diagram	3
Figure 2	Board Callout	3
Figure 3	Power Supply Scheme	7
Figure 4	Memory Interface	9
Figure 5	SPI Flash Interface	9
Figure 6	HDMI1.4 Interface	10
Figure 7	MIPI-RX Connection	10
Figure 8	MIPI-TX Connection (DSI Application)	11
Figure 9	MIPI-TX Connection (CSI-2 Application)	11
Figure 10	MIPI-TX and RX Loopback	11
Figure 11	XCVR0 Interface	12
Figure 12	XCVR1 and XCVR3 Interface	13
Figure 13	XCVR2 Interface	14
Figure 14	XCVR Reference Clocks	14
Figure 15	JTAG Header Interface	15
Figure 16	50 MHz Oscillator Interface	16
Figure 17	Device Reset	16
Figure 18	User Reset	16
Figure 19	User LED Interface	17
Figure 20	Push-Button Interface	18
Figure 21	DIP Switch Interface	18
Figure 22	Silkscreen Top View	19
Figure 23	Silkscreen Bottom View	20

Tables

Table 1	Kit Contents	2
Table 2	Board Components	3
Table 3	Jumper Settings	6
Table 4	LEDs	6
Table 5	Voltage Rails in PolarFire Video Board	7
Table 6	Power Regulators	8
Table 7	User LEDs	17
Table 8	Push-Button Switches	17
Table 9	DIP Switch	18

1 Revision History

1.1 Revision 1.0

The first publication of this document.

2 Getting Started

The Microsemi PolarFire[®] FPGA Video Kit (POLARFIRE VIDEO KIT), which is RoHS-compliant, enables you to evaluate the PolarFire MPF300TS-1FCG1152I FPGA for the following interfaces:

- MIPI CSI-2 RX interface
- HDMI2.0
- HDMI1.4
- DDR4 memory
- FMC HPC with 8 Transceiver lanes
- UART Interface to the FTDI device
- SPI Interface to the SPI Flash device

2.1 Kit Contents

The following table lists the contents of the PolarFire Video Kit.

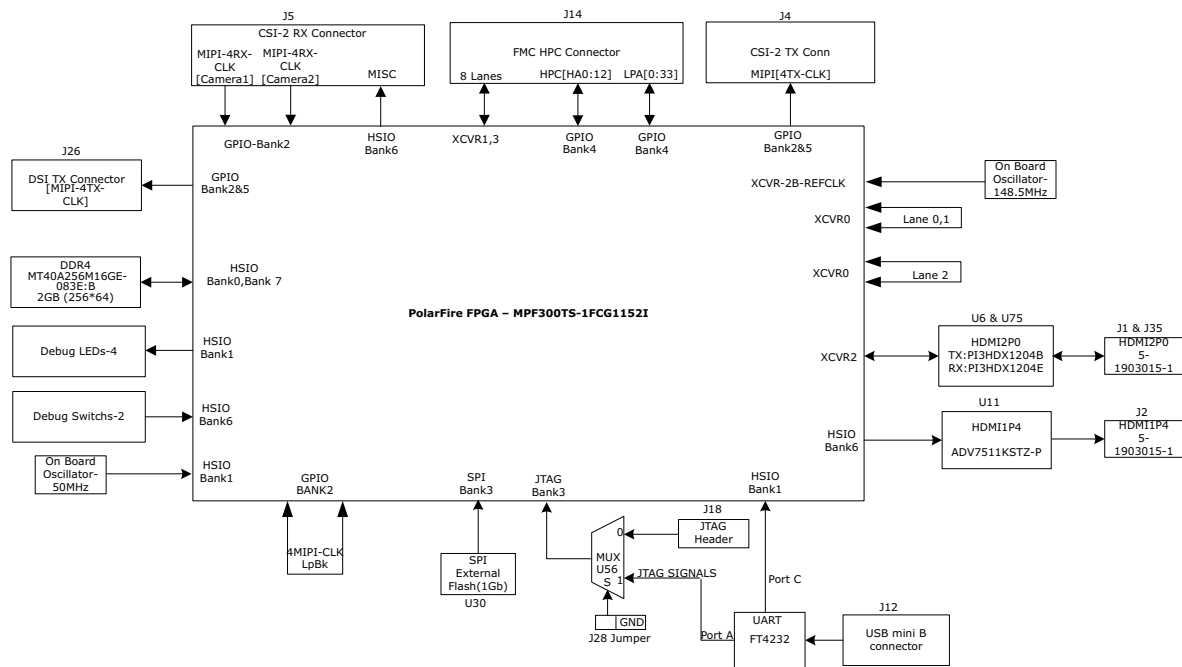
Table 1 • Kit Contents

Item	Quantity
Dual Camera Sensor Module	1
PolarFire Video Board featuring the MPF300TS-1FCG1152I device with 300K logic elements	1
12 V, 5 A AC power adapter and cord	1
USB 2.0 A-male to mini-B cable programming	1
Quickstart card	1
Free one-year Libero Gold software license	1

2.2 Block Diagram

The following figure shows the block diagram of the video kit.

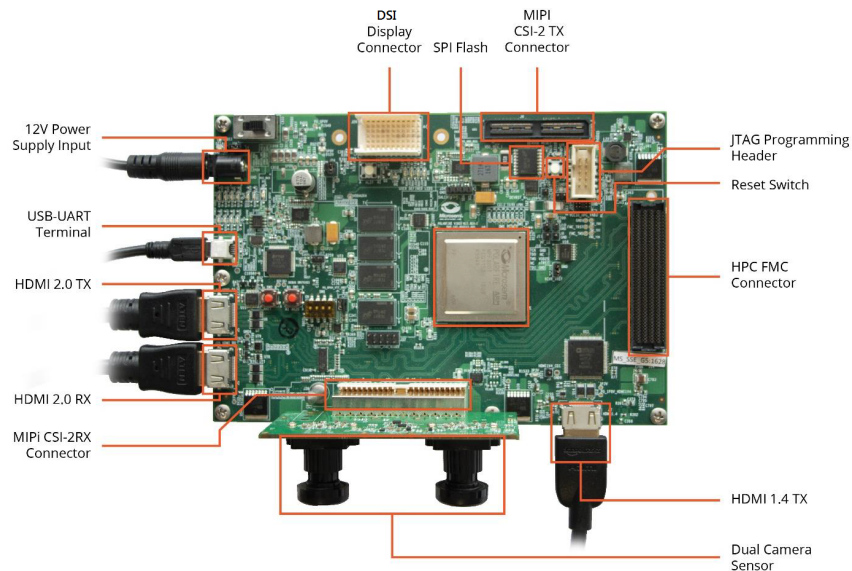
Figure 1 • Block Diagram



2.3 Board Overview

The following figure shows a labeled image of the video board highlighting its components.

Figure 2 • Board Callout



The following table lists the components of the video board.

Table 2 • Board Components

Component	Label on Board	Description
		Featured Device

Table 2 • Board Components

Component	Label on Board	Description
PolarFire FPGA		MPF300TS-1FCG1152I FPGA with data security feature
Power Supply		
12 V power supply	J20	The board is powered by a 12 V power source using an external +12 V/5 A DC jack
ON/OFF switch	SW4	Power ON/OFF switch from +12 V external DC jack
Clocks		
On-board 50 MHz clock oscillator	X3	50 MHz clock oscillator with single-ended output
XCVR reference clock	Y5	148.5 MHz oscillator (differential LVDS output) that provides reference clock (REFCLK) via PolarFire device pins AF29 and AF30. These pins are connected to the XCVR
Clock Synthesizer	U15	CDCEL913PWR Clock Synthesizer for HDMI1.4 clocks and programmable through the I2C
FPGA Programming and Debugging		
FT4232H	U70	USB-to-quad serial ports in various configurations
JTAG programming header	J18	This header is used to program and debug the PolarFire device using FlashPro4 or FlashPro5. In the FlashPro software, the appropriate programmer (FlashPro4 or FlashPro5) must be selected.
SPI flash	U30	One 1 Gb SPI Flash from Micron MT25QL01G BBBB8ESF-0SIT (P/N) connected to SPI pins on bank 3 of the PolarFire device
Memory Chips		
DDR4 Memory	U1,U2,U3 and U4	Four 4 Gb (MT40A256M16GE-083E:B) chips are connected in Fly-by topology with a 64-bit data bus for storing data bits
FMC HPC connector	J14	FMC connector with eight XCVR lanes and 13 Differential pairs HPC[HA0:12] and LPC[0:33])
Video Interfaces		
CSI-2 RX connector	J5	MIPI data and clock signals are received from Camera sensor board
DSI TX connector	J26	MIPI data and clock signals are transmitted to Display daughter board through the connector
CS-2 TX connector	J4	MIPI data and clock signals are transmitted to Display daughter board through the connector
General Purpose I/O		
Switches	SW1 and SW2	Push-button switches for user-interface debugging applications
DIP Switches	SW6	Four DIP switches for testing

Table 2 • Board Components

Component	Label on Board	Description
Light-emitting diodes (LEDs)		Four active-high LEDs connected to some of the user I/Os for debugging, and twelve active high LEDs used for indicating power supply
USER Reset switch	SW3	Push-button system reset for the PolarFire device Users must program this HSIO for PolarFire logic reset function
Device reset	SW5	Device reset

3 Hardware Settings

This section provides information about jumper settings, switches, LEDs, and DIP switches on the PolarFire video board.

3.1 Jumper Settings

Connect the jumpers according to the settings specified in the following table.

Table 3 • Jumper Settings

Jumper	Description	Pin(s)	Default
J15	SPI Slave and Master mode selection. By Default SPI master	1-2	Closed
J19	XCVR_VREF is connected to GND	1-2	Closed
J28	Close pin 1-2 to program through the FTDI Open pin 1-2 to program the external Flash pro5	1-2	Closed
J24	Jumper to select the PolarFire VDDAUX4 for Bank4 voltage	Close pin2-4 for 3V3 Close pin2-4 for 2V5	Closed Open
J25	Jumper to select the PolarFire VCCIO voltage (VCCIO_HPC_VADJ)	Close pin 1 and 2 for 3.3 V Close pin 3 and 4 for 2.5 V Close pin 5 and 6 for 1.8 V Close pin 7 and 8 for 1.5 V Close pin 9 and 10 for 1.2 V	Open Open Closed Open Open
J36	Jumper to select the SW3 input or the ENABLE_FT4 232 signal from the FT4232H chip	Close pin 1 and 2 for manual power switching using SW3 Close pin 2 and 3 for remote power switching using the GPIO capability of the FT4232 chip	Close Open

3.2 LEDs

The following table lists the power supply LEDs.

Table 4 • LEDs

LED	Description
DS14-Green	12 V voltage rail
DS20-Green	5 V voltage rail
DS21-Green	3.3V voltage rail
DS5-Green	1.0V voltage rail
DS4-Green	1.8V voltage rail
DS3-Green	VDD25 Voltage rail
DS2-Green	VDDAUX2_5 Voltage rail
DS9-Green	VDDA(1V05) Voltage rail
DS8-Green	VDDAUX4 Voltage rail

Table 4 • LEDs (continued)

LED	Description
DS7-Green	1.2V voltage rail
DS6-Green	VCCIO_HPC_VADJ voltage rail
DS12-Green	1.8V HDMI1V4 voltage rail
DS13-Green	0.6V VTT voltage rail

3.3 Power Sources

The PolarFire video board uses Microchip power supply devices. For more information about these power supply devices, see:

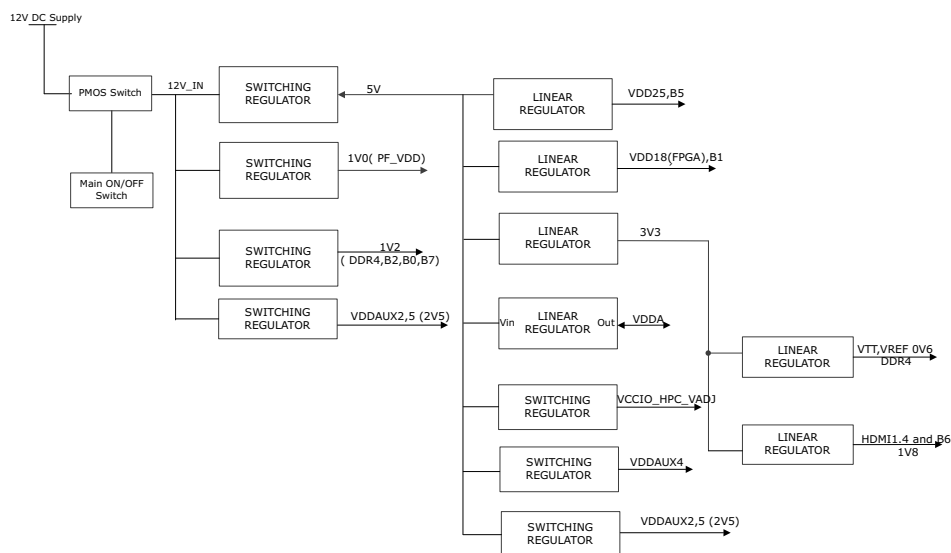
<https://www.microchip.com/design-centers/power-management/dc-dc-converters-regulators>.

The following table lists the key power supplies required for normal operation of the PolarFire video board.

Table 5 • Voltage Rails in PolarFire Video Board

PolarFire Bank	I/O Rail	Voltage
Bank 0	1P2V	1.2V
Bank 1	1P8V	1.8V
Bank 2	1P2V_B2	1.2V
Bank 3	VDD25	2.5V
Bank 4	VCCIO_HPC_VADJ	1.8V
Bank 5	VDD25	2.5V
Bank 6	1P8V_HDMI1V4	1.8V
Bank 7	1P2V	1.2V

The following figure shows the power supply scheme used in the PolarFire video board.

Figure 3 • Power Supply Scheme

The following table lists the suggested Microchip power regulators for PolarFire FPGA voltage rails.

Table 6 • Power Regulators¹

Voltage Rail	Part Number	Description	Current
5V	MIC24055YJL-TR	IC REG BUCK ADJ 12A SYNC 28QFN	12A
1V	MIC24055YJL-TR	IC REG BUCK ADJ 12A SYNC 28QFN	12A
1V2	MIC24046YFL-TR	IC REG BUCK PROG 5A SYNC 20VQFN	5A
VDDAUX2&5	MIC23303YML-T5	IC REG BUCK ADJ 3A SYNC 12DFN	3A
VDDAUX4	MIC23303YML-T5	IC REG BUCK ADJ 3A SYNC 12DFN	3A
VCCIO_HPC_VADJ	MIC24046YFL-TR	IC REG BUCK PROG 5A SYNC 20VQFN	5A
VREF,VTT	MIC5166YML-TR	IC PWR SUP 3A HS DDR TERM 10MLF	3A
HDMI1.4	MCP1726T-ADJE/MF	IC REG LINEAR POS ADJ 1A 8DFN	1A
VDD25	MIC69502WR	IC REG LINEAR POS ADJ 5A SPAK-7	5A
3V3	MIC69502WR	IC REG LINEAR POS ADJ 5A SPAK-7	5A
VDD18	MIC69502WR	IC REG LINEAR POS ADJ 5A SPAK-7	5A
1V05	MIC69502WR	IC REG LINEAR POS ADJ 5A SPAK-7	5A

1. These regulators are not pin compatible with the existing video kit schematics. Use these regulators for new board designs.

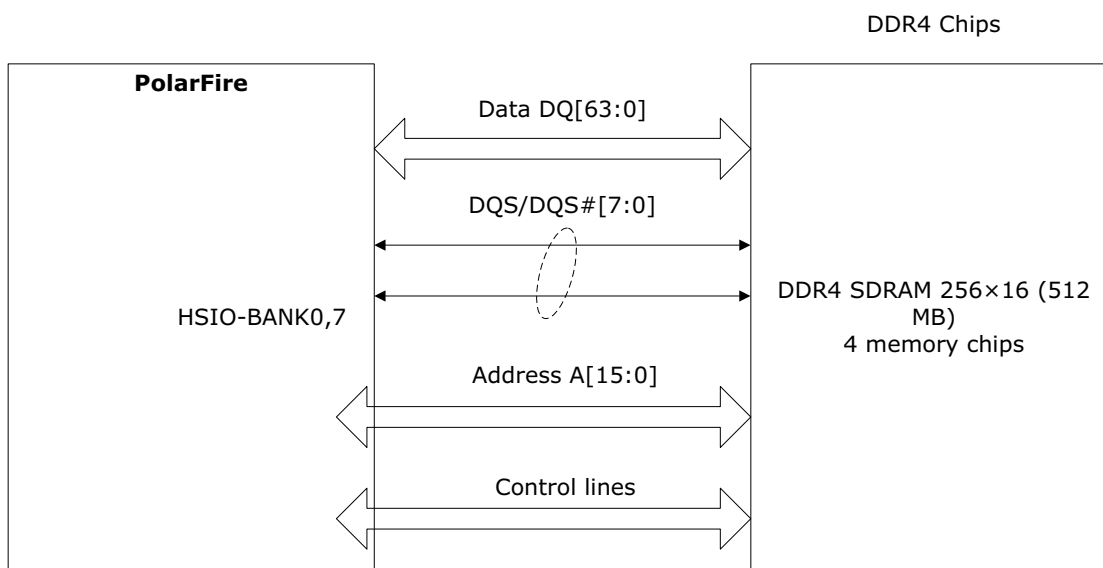
4 Board Components and Operations

This section describes the key components of the PolarFire Video board and important board operations.

4.1 Memory Interface

The following figure shows the memory interface scheme.

Figure 4 • Memory Interface



As shown in [Figure 4](#), page 9, Four 4 Gb DDR4 SDRAM chips are used as flexible volatile memory for user applications. The DDR4 interface is implemented in the HSIO Bank 0 and Bank 7.

The DDR4 SDRAM specifications are as follows:

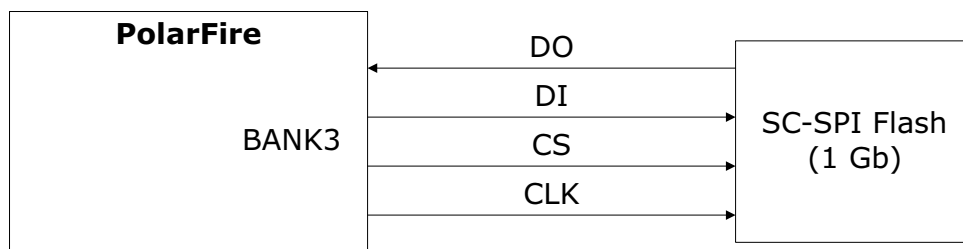
- MT40A256M16GE-083E:B
- Quantity: Four chips are connected in Fly-by topology
- Density: 16 Gb
- Data rate: DDR4 64-bit at 166 MHz clock rate

The PolarFire video board design uses the DDR4 and POD12 standards for the DDR4 interface. The default board assembly for the DDR4 standard uses RC terminations.

4.2 SPI Serial Flash

The following figure shows the SPI Flash and its interface with the PolarFire device.

Figure 5 • SPI Flash Interface



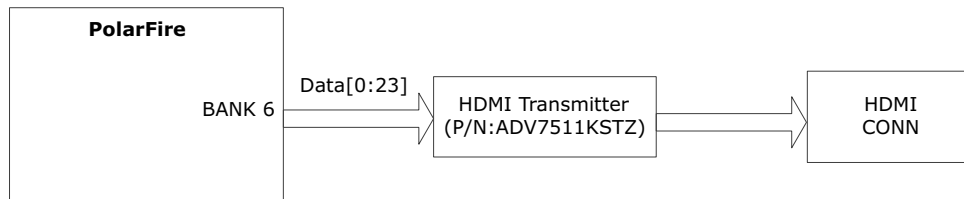
The SPI flash specifications for the PolarFire device are:

- Density: 1 Gb
- Voltage: 2.7 V to 3.6 V (MT25QL01G BBB8ESF-0SIT)
- Frequency: 90 MHz
- Quantity = 1
- SPI mode support: Modes 0 and 3

4.3 HDMI1.4 Interface

One HDMI1.4 Transmitter is connected to the PolarFire device to support the HDMI1.4 standard as shown in the following figure.

Figure 6 • HDMI1.4 Interface



The HDMI interface is implemented in Bank6.

The HDMI1.4 transmitter specifications for the PolarFire device are:

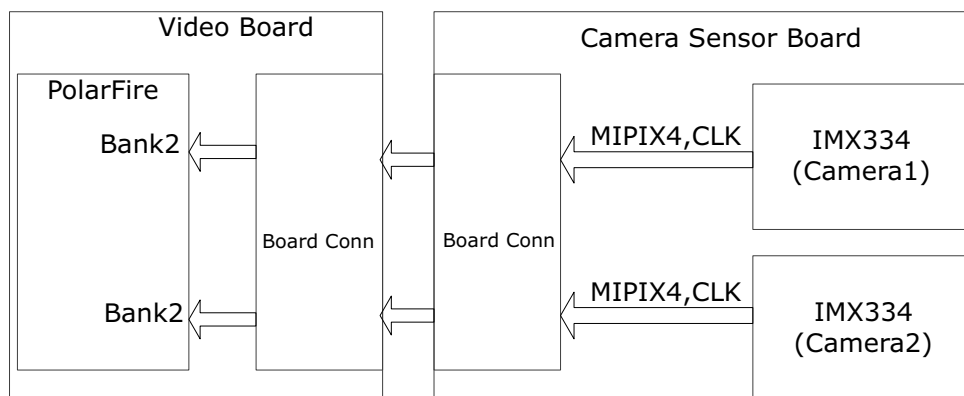
- Part Number of the HDMI Transmitter: ADV7511KSTZ
- Operating frequency: up to 225 MHz

4.4 MIPI- RX Connector (CSI-2 Application)

The video board supports a dual Camera image sensor daughter card that can be connected using the CSI-2 RX interface (J5) for CSI-2 RX applications. The daughter card includes two IMX334 cameras. Each image sensor supports a four-lane MIPI interface. The daughter card is connected to the video board via the board to board connector as shown in [Figure 7](#), page 10. The MIPI output signals are connected to Bank 2.

The image sensor supports maximum 1782 Mbps.

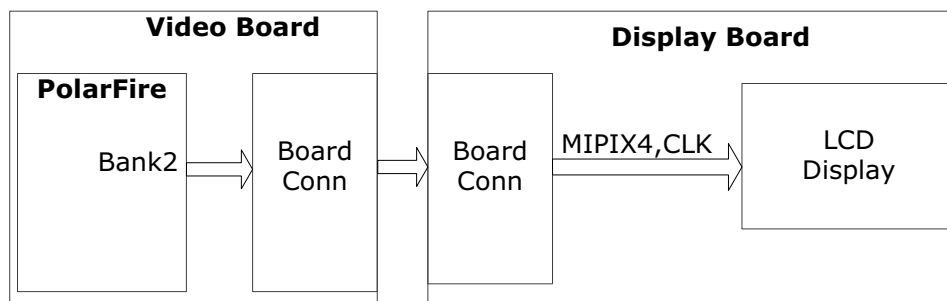
Figure 7 • MIPI-RX Connection



4.5 MIPI-TX Connector (DSI Application)

The video board supports the MIPI transmitter X4 lanes and clock for DSI application, as shown in Figure 8, page 11. MIPI TX signals are interfaced to the LCD display. An adaptor board for the LCD display can be connected through the J26 connector on the video board. This adaptor board contains the LCD mating connector and the auxiliary circuit required for the display. For more information, see the *video board schematics*.

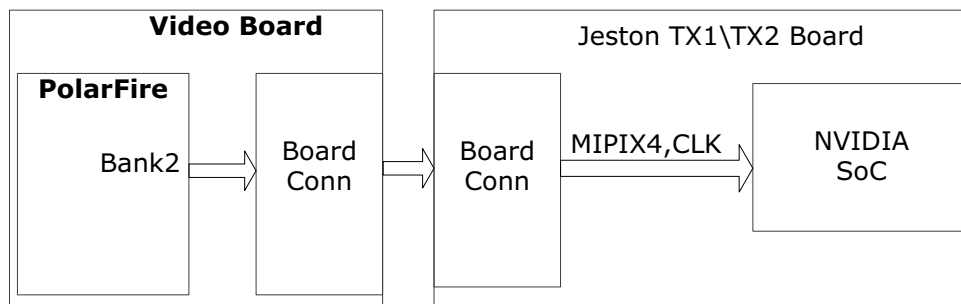
Figure 8 • MIPI-TX Connection (DSI Application)



4.6 MIPI-TX connector (CSI-2 Application)

The video board supports the MIPI X4 lanes and clock for the CSI-2 transmitter application, as shown in Figure 9, page 11. For testing, the video board can be interfaced with Nvidia's Jetson TX1\TX2 development board using a mating connector cable.

Figure 9 • MIPI-TX Connection (CSI-2 Application)

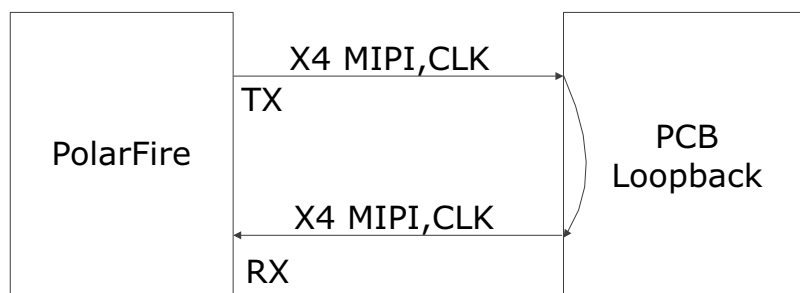


Note: Jetson board is not part of the kit.

4.7 MIPI-TX and RX PCB Loopback

The video board supports the on-board PCB trace loopback of MIPI X4 lanes and clock, as shown in Figure 10, page 11.

Figure 10 • MIPI-TX and RX Loopback



Note:

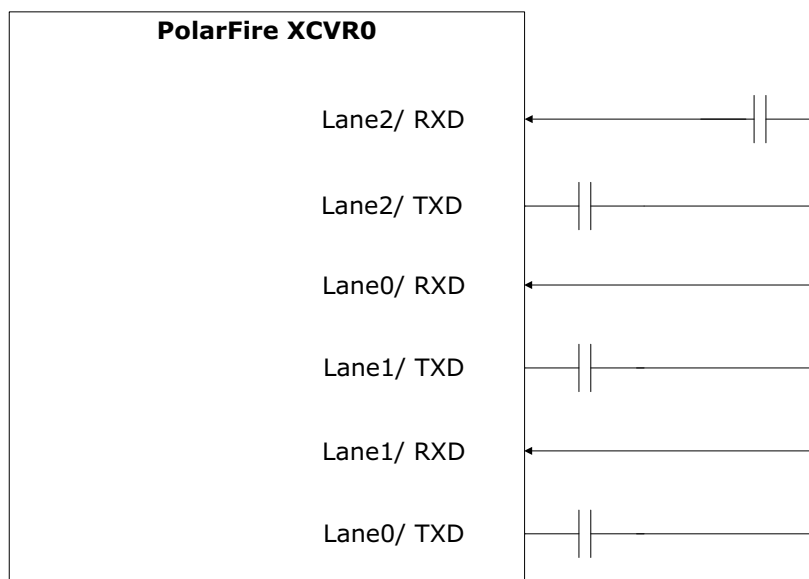
4.8 Transceivers

The PolarFire MPF300TS-1FCG1152I device has 4 XCVR blocks and each block contains 4 transceiver lanes. These lanes can be accessed through the HDMI2.0 and FMC connectors on the board. The following sections describe these blocks and the lanes used.

4.8.1 XCVR0 Block

Lanes 0, 1, and 2 of the XCVR0 block are looped back as shown in .

Figure 11 • XCVR0 Interface



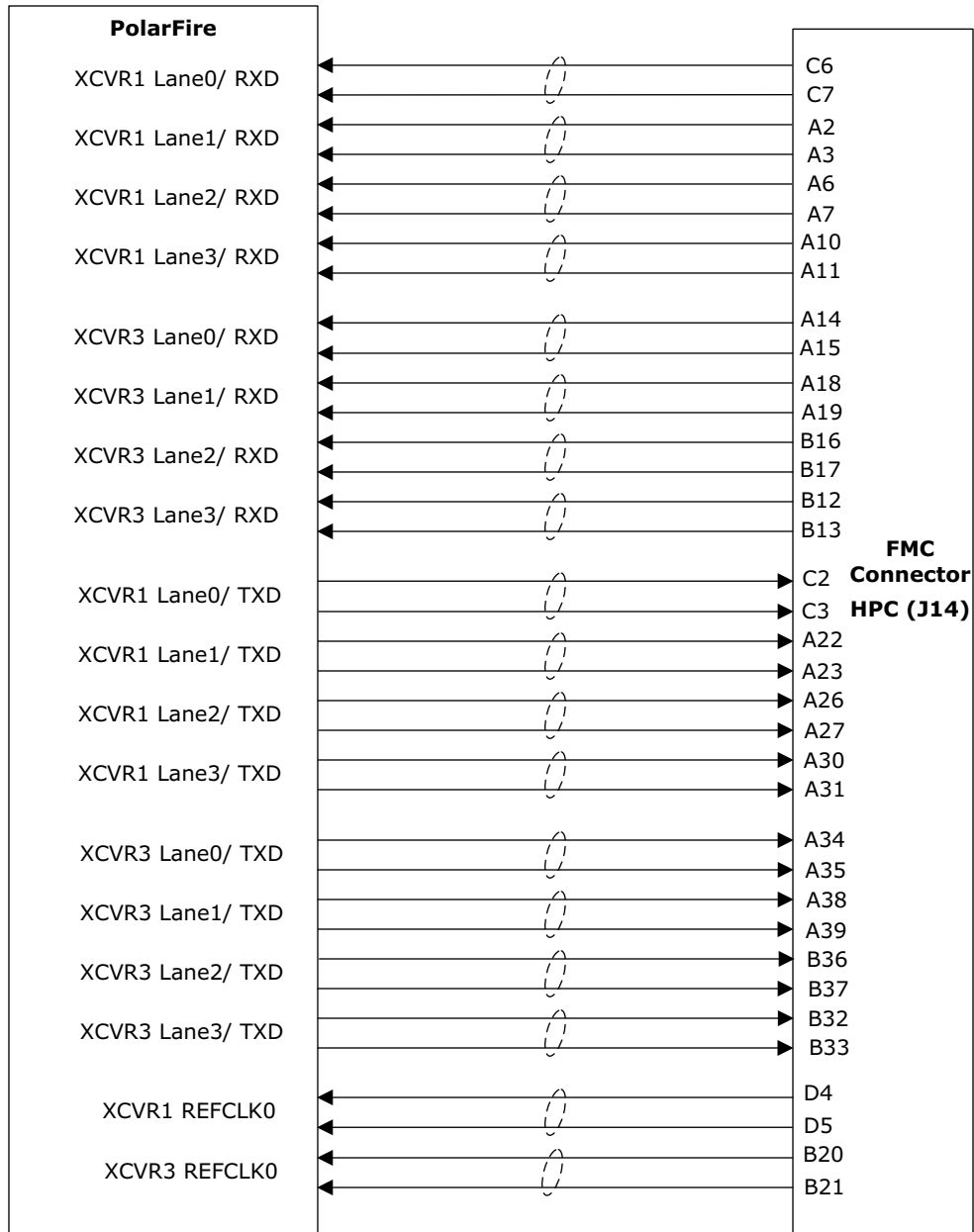
4.8.2 XCVR1 and XCVR3 Blocks

XCVR1 and XCVR3 blocks have four lanes each. These lanes are connected to the FMC HPC connector and the signals are routed on the PCB as follows:

- Lanes 0 to 7 are directly routed to the FMC HPC connector.
 - TX pad > trace > via (to bottom layer) > trace > FMC HPC connector pad
 - RX pad > trace > via (to Top layer) > trace > PolarFire device pad

The XCVR1 and XCVR3 reference clock is routed directly from the HPC connector to the PolarFire device. [Figure 12](#), page 13 shows the XCVR1 and XCVR3 and their interfaces.

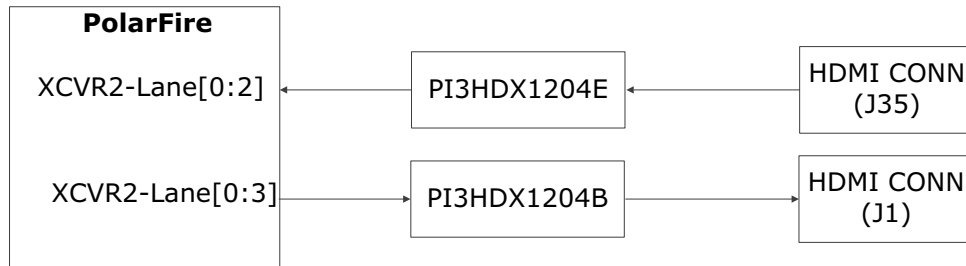
Figure 12 • XCVR1 and XCVR3 Interface



4.8.3 XCVR2 Block

The lanes of the XCVR2 block are connected to HDMI2.0 TX and RX chips via the line drivers chips, as shown in Figure 13, page 14. This interface can operate up to 6 Gbps.

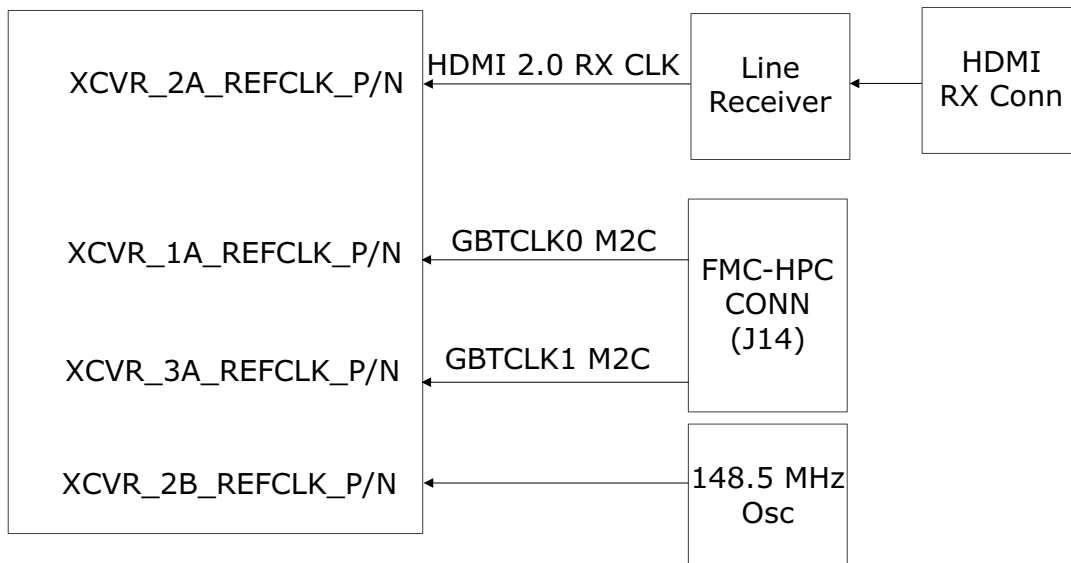
Figure 13 • XCVR2 Interface



4.8.4 XCVR Reference Clock

Figure 14, page 14 shows the clock sources for XCVR blocks.

Figure 14 • XCVR Reference Clocks



As shown in Figure 14, page 14:

- XCVR 1A, 3A reference clocks are sources from FMC HPC connector(J14).
- XCVR 2B reference clock is sourced from the on-board 148.5 MHz oscillator.
- XCVR 2A reference clock is sourced from the on-board HMDI2.0 TX device.

4.9 Programming

The PolarFire device is programmed using the on-board FlashPro5 programmer or through the JTAG Header. For more information about programming, see the [video board schematics](#).

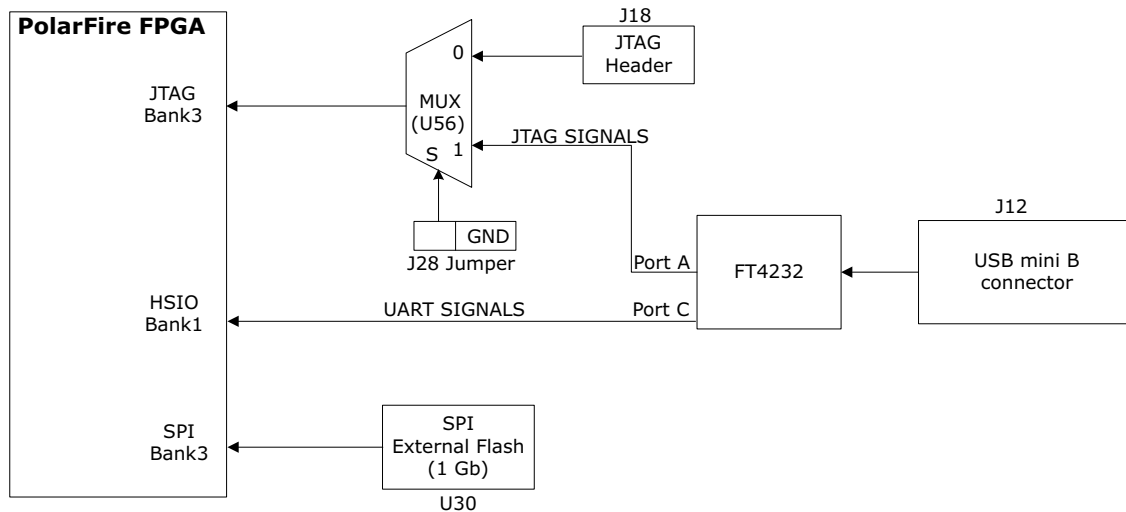
The following section describes the FTDI and JTAG Header programming schemes used on the board.

4.9.1 FTDI and JTAG Header Scheme

The PolarFire device can be programmed using the on-board JTAG Header or FTDI. By default, the FTDI programming mode is enabled. The programming mode can be changed based on the Jumper settings. For more information, see [Table 3](#), page 6.

The following figure shows how the JTAG Header interfaces with the PolarFire Device.

Figure 15 • JTAG Header Interface



Note: By default, the FTDI programming mode is enabled. Remove J28 jumper to enable programming through JTAG header.

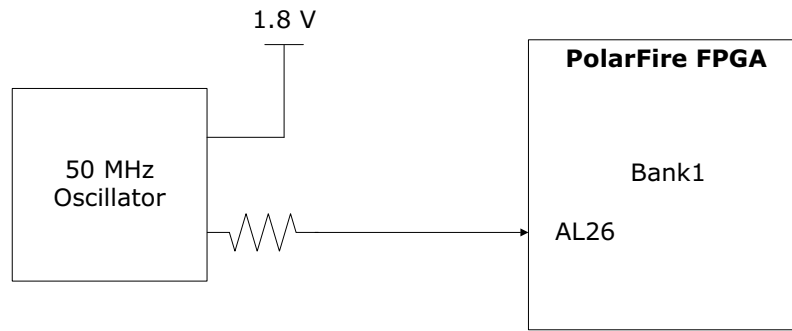
4.10 50 MHz Oscillator

A 50 MHz clock oscillator with an accuracy of +/-50 ppm is available on the board. This clock oscillator is connected to the FPGA fabric to provide a system reference clock. An on-chip PolarFire PLL can be configured to generate a wide range of high-precision clock frequencies.

The package and pin details of the 50 MHz oscillator are as follows:

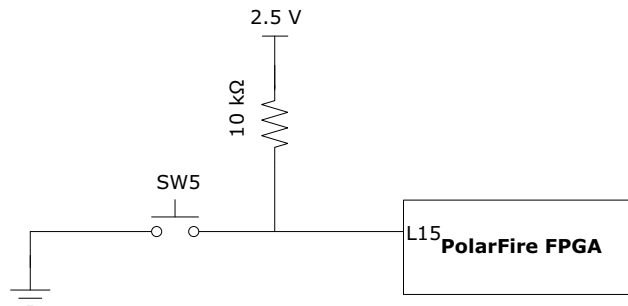
- Pin Number: AL26
- Pin Name: HSIO72PB1/CCC_NE_CLKIN_N_11

shows the 50 MHz clock oscillator interface.

Figure 16 • 50 MHz Oscillator Interface

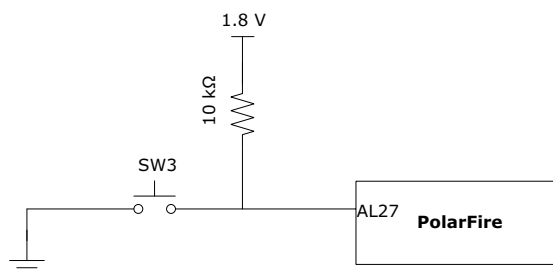
4.11 Device Reset

As shown in Figure 17, page 16, DEVRST_N (SW5 push button) is an input-only reset switch that allows assertion of a full reset of the chip at any time. The DEVRST_N signal is an active-low signal.

Figure 17 • Device Reset

4.12 User Reset

As shown in Figure 18, page 16, the user reset (SW3 push button) is an input-only reset switch that allows assertion of a reset of the fabric logic.

Figure 18 • User Reset

4.13 User Interface

LEDs and push-button switches are available on the board for the user interface.

4.13.1 User LEDs

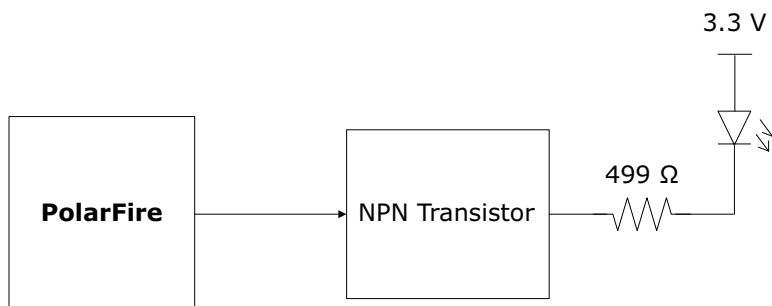
Four active-high LEDs are connected to the PolarFire device. [Table 7](#), page 17 lists the on-board label of these switches, the associated PolarFire pin number, name, and Bank.

Table 7 • User LEDs

Label On Board	PolarFire Pin Number	PolarFire Pin Name	PolarFire Bank
LED1	G17	HSIO37NB6	Bank 6
LED2	K23	HSIO54PB6	Bank 6
LED3	L23	HSIO54NB6	Bank 6
LED4	B25	HSIO68NB6/DQS	Bank 6

[Figure 19](#), page 17 shows how each user LED interfaces with the PolarFire device.

Figure 19 • User LED Interface



4.13.2 Push-Button Switches

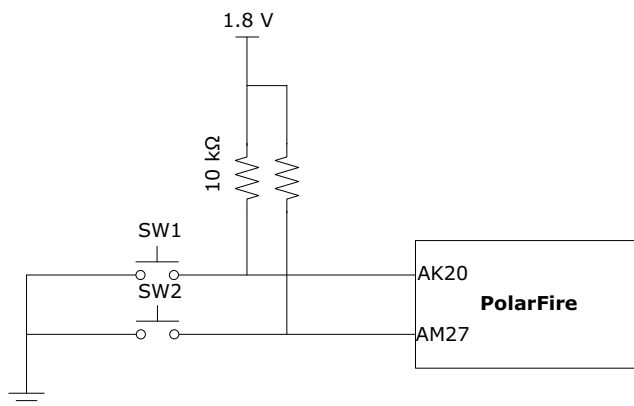
Two push-button tactile switches are connected to the PolarFire device. [Table 8](#), page 17 lists the on-board label of these switches, the associated PolarFire pin number, name, and Bank.

Table 8 • Push-Button Switches

Label On Board	PolarFire Pin Number	PolarFire Pin Name	PolarFire Bank
SW1	AK20	HSIO98NB1	Bank 1
SW2	AM27	HSIO73NB1	Bank 1

[Figure 20](#), page 18 shows how these push-button switches interface with the PolarFire Device.

Figure 20 • Push-Button Interface



4.13.3 Slide Switches (DPDT)

The SW4 slide switch powers the device ON or OFF.

4.13.4 DIP Switches (SPST)

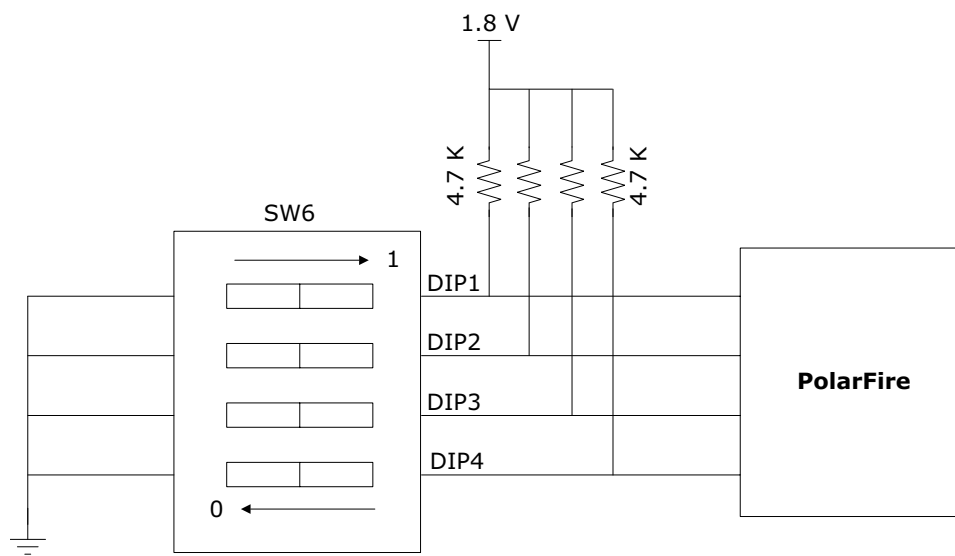
The SW6 DIP switch includes 8 connections to the PolarFire device. [Table 9](#), page 18 lists on-board label of these switches, the associated PolarFire pin number, name, and Bank.

Table 9 • DIP Switch

Label On Board	PolarFire Pin Number	PolarFire Pin Name	PolarFire Bank
DIP1	AH22	HSIO99PB1/DQS	Bank1
DIP2	AJ21	HSIO99NB1/DQS	Bank1
DIP3	AG21	HSIO100PB1	Bank1
DIP4	AH21	HSIO100NB1	Bank1

shows how the DIP switch interfaces with the PolarFire device.

Figure 21 • DIP Switch Interface



4.13.5 FMC HPC Connector (J14)

An HPC (J14) FMC connector is available for future expansion of interfaces. This FMC connector is compliant with the VITA 57.1 specification. The PolarFire Bank4, XCVR1, and XCVR3 signals are routed to the FMC connector (J14) for user application development. For more information, see the [video board schematics](#).

4.14 Board Components Placement

Figure 22, page 19 shows the top view of the placement of board components.

Figure 22 • Silkscreen Top View

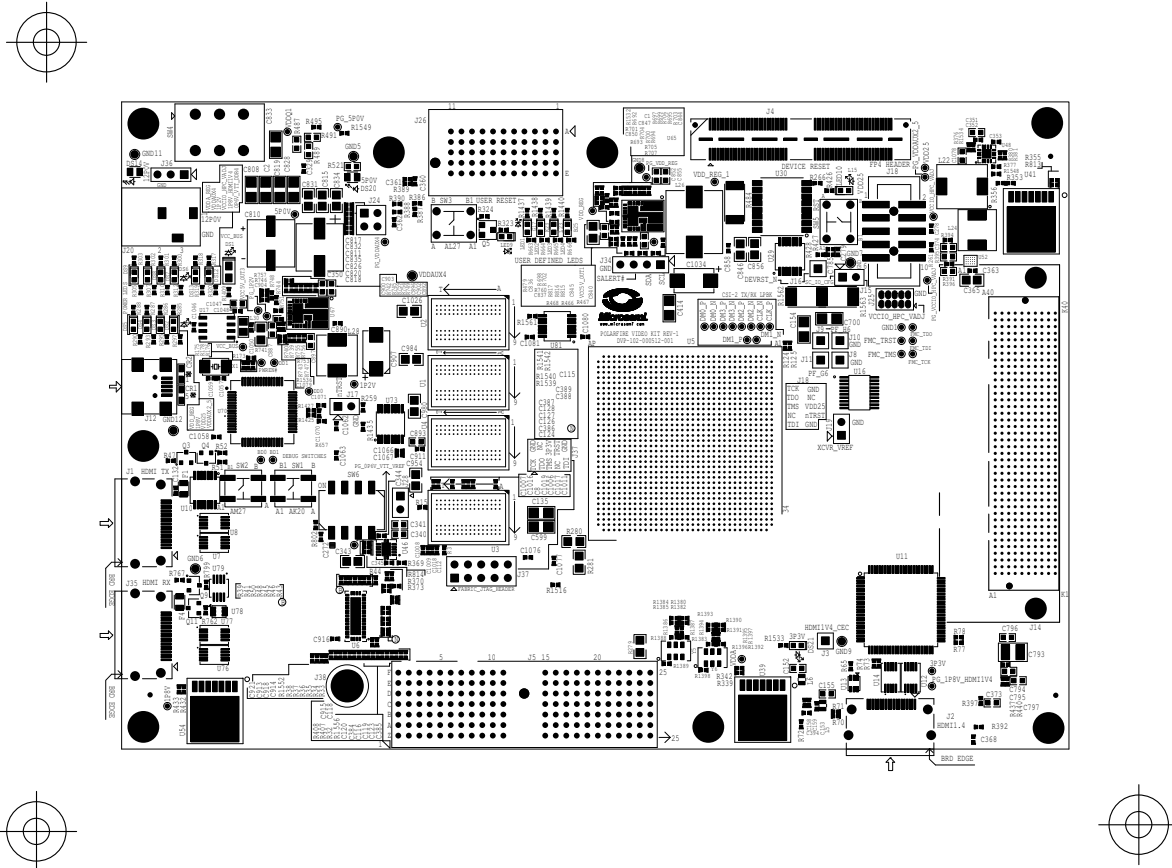


Figure 23, page 20 shows the bottom view of the placement of board components.

Figure 23 • Silkscreen Bottom View

