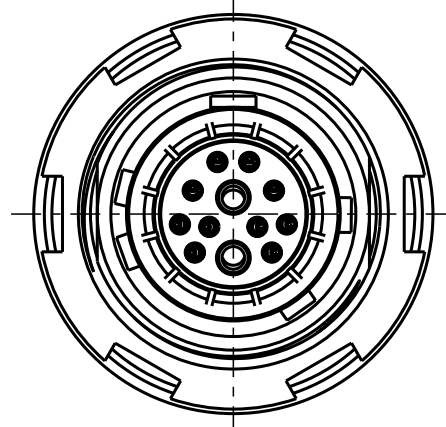
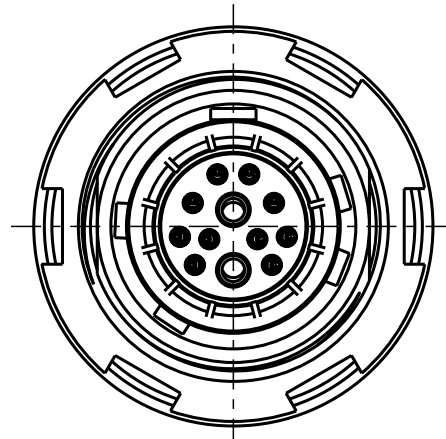


For these Unterlage behalten wir uns alle Rechte vor, auch für den Fall der Patentverletzung oder Gebrauchsmusterinfraktion. Sie darf ohne unsere vorherige schriftliche Zustimmung weder vervielfältigt noch sonstwie benutzt, nach Dritten zugänglich gemacht werden.  
 Nur rat gestempelte oder auf Laufkarte gedruckte Dokumente unterliegen dem Änderungsdienst und sind zur Fertigung freigegeben. Only red stamped or on jobcard printed documents are managed. These documents are approved for production.  
 All Rights reserved, including possible patents or trademarks. Documents shall not be provided to a third party or duplicated in any form without prior written permission.

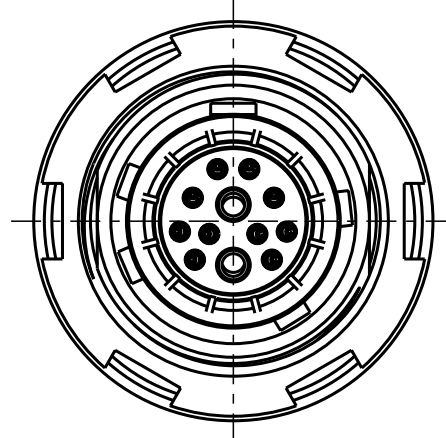
Additional coding  
View in direction A  
4:1



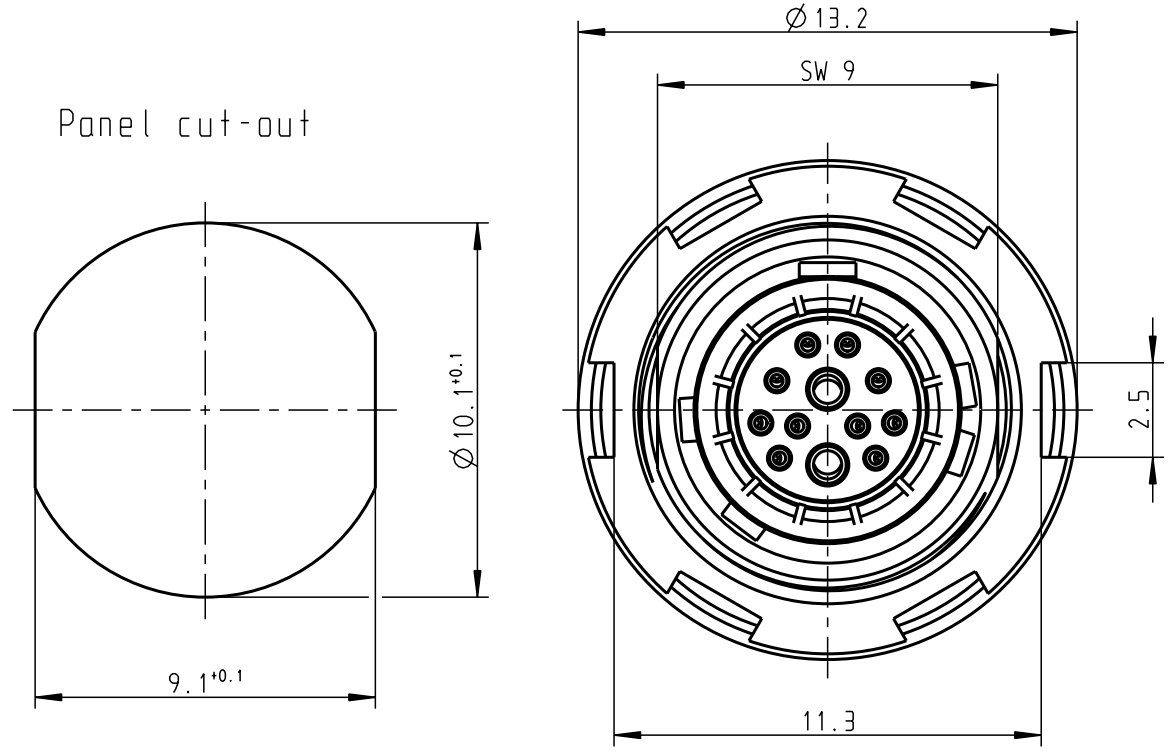
GKOWBM-P12WMMO-000L  
Mechanical coding: B  
Color coding: red



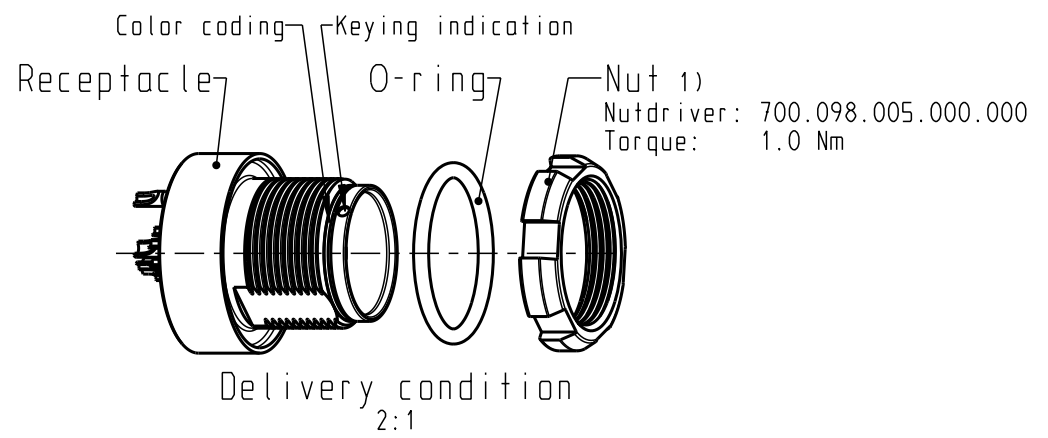
GKOWCM-P12WMMO-000L  
Mechanical coding: C  
Color coding: blue



GKOWDM-P12WMMO-000L  
Mechanical coding: D  
Color coding: green



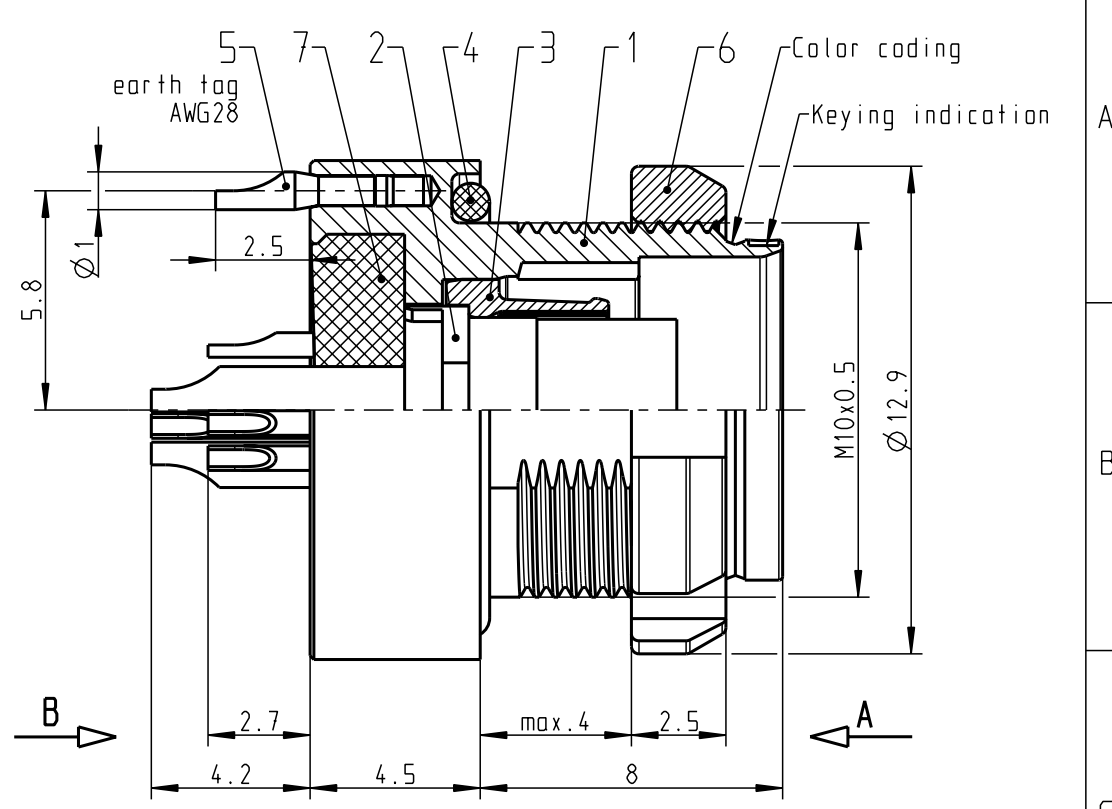
GKOWAM-P12WMMO-000L  
Mechanical coding: A  
Color coding: light brown



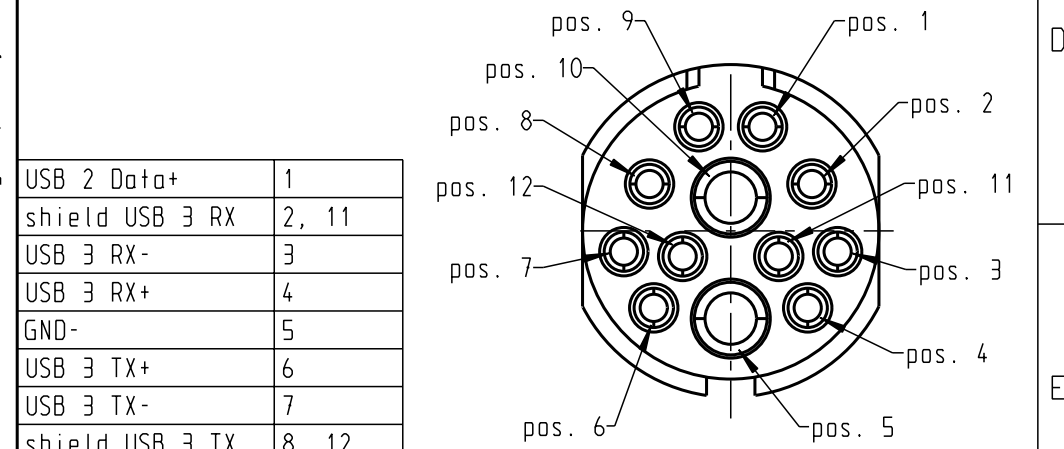
Technical information

- Power solder contacts: AWG 22 (pos. 5/10)  
Current load: 5A (Single contact)
- Signal solder contacts: AWG 28 (Pos. 1/2/3/4/6/7/8/9/11/12)  
Current load: 1A (Single contact)
- Test voltage: 750V (acc. SAE AS 13441:1998, Contact to contact)  
Rated voltage: 250V (acc. SAE AS 13441:1998).

- 1) ODU recommend an additional locking of the nut with adhesive (e.g. Loctite 2701) to the screw thread.
- 2) Maximal operating voltage at sea level up to 2.000m. Rated voltage applies no other electrical safety standard. In case other standards rule a specific use of the connector, the application specific safety criteria shall be considered first. This must be evaluated in the frame of equipment engineering.



Only insert  
View in direction B  
8:1



USB 2 Data+	1
shield USB 3 RX	2, 11
USB 3 RX-	3
USB 3 RX+	4
GND-	5
USB 3 TX+	6
USB 3 TX-	7
shield USB 3 TX	8, 12
USB 2 Data-	9
1 VBUS	10
<b>description wire</b>	<b>pos.-nr.</b>

All shown connectors are according to DIN EN 61984:2009 connectors without breaking capacity (COC)!

General tolerances to DIN ISO 2768-mH				PE-modell-nr.:	
Tolerance to DIN ISO 8015				CAD-nr.: 00058791	
2015	date	name	designation: Receptacle USB		
prep.	16.02.	Unterblüm.	scale: 4:1		
app.			drawing nr.: GKOW.M-P12WMMO-000L		
norm.			replacement for:		
a	-----	10.04.15	Unterblüm.	copy nr.	
index	notice	date	name		

