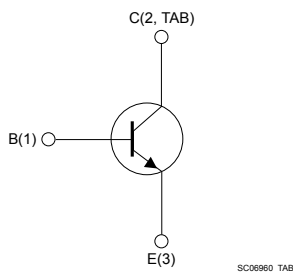
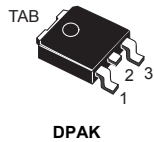


## High voltage fast-switching NPN power transistor



### Features

- High voltage capability
- Low spread of dynamic parameters
- Minimum lot-to-lot spread for reliable operation
- Very high switching speed

### Applications

- Electronic ballast for fluorescent lighting
- Switch mode power supplies

### Description

The BULD741T4 is manufactured using high voltage multi-epitaxial planar technology to enhance switching speeds and high voltage capability.

Thanks to an increased intermediate layer, it has an intrinsic ruggedness which enables the transistor to withstand a high collector current level during breakdown condition, without using the transil protection usually necessary in typical converters for lamp ballast.



#### Product status link

[BULD741T4](#)

#### Product summary

<b>Order code</b>	BULD741T4
<b>Marking</b>	BULD741
<b>Package</b>	DPAK
<b>Packing</b>	Tape and reel

## 1 Electrical ratings

**Table 1. Absolute maximum rating**

Symbol	Parameter	Value	Unit
$V_{EBO}$	Emitter-base voltage ( $I_C = 0$ A, $I_B = 2$ A, $t_p < 10$ ms)	$V_{(BR)EBO}$	V
$V_{CES}$	Collector-emitter voltage ( $V_{BE} = 0$ V)	1050	V
$V_{CEO}$	Collector-emitter voltage ( $I_B = 0$ A)	400	V
$I_C$	Collector current	2.5	A
$I_{CM}$	Collector peak current ( $t_p < 5$ ms)	5	A
$I_B$	Base current	1.5	A
$I_{BM}$	Base peak current ( $t_p < 5$ ms)	3	A
$P_{TOT}$	Total power dissipation at $T_C = 25$ °C	30	W
$T_{stg}$	Storage temperature range	-65 to 150	°C
$T_J$	Maximum operating junction temperature	150	°C

**Table 2. Thermal data**

Symbol	Parameter	Value	Unit
$R_{thJC}$	Thermal resistance, junction-to-case	4.16	°C/W

## 2 Electrical characteristics

$T_C = 25\text{ °C}$  unless otherwise specified.

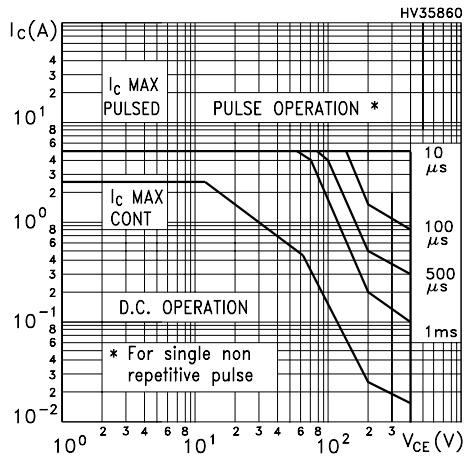
**Table 3. Electrical characteristics**

Symbol	Parameter	Test conditions	Min.	Typ.	Max.	Unit
$I_{CES}$	Collector cut-off current	$V_{CE} = 1050\text{ V}, V_{BE} = 0\text{ V}$		0.2	10	$\mu\text{A}$
$I_{CEO}$	Collector cut-off current	$V_{CE} = 400\text{ V}, I_B = 0\text{ A}$		10	250	$\mu\text{A}$
$V_{CEO(sus)}^{(1)}$	Collector-emitter sustaining voltage	$I_C = 10\text{ mA}, I_B = 0\text{ A}$	400	450		V
$V_{(BR)EBO}$	Emitter-base breakdown voltage	$I_C = 0\text{ A}, I_E = 1\text{ mA}$	15	19	24	V
$V_{CE(sat)}^{(1)}$	Collector-emitter saturation voltage	$I_C = 0.7\text{ A}, I_B = 0.14\text{ A}$		0.15	0.5	V
		$I_C = 2\text{ A}, I_B = 0.6\text{ A}$		0.5	1.5	
$V_{BE(sat)}^{(1)}$	Base-emitter saturation voltage	$I_C = 2\text{ A}, I_B = 0.6\text{ A}$		1.1	1.5	V
$h_{FE}^{(1)}$	DC current gain	$I_C = 0.1\text{ A}, V_{CE} = 5\text{ V}$	48	70	100	
		$I_C = 0.45\text{ A}, V_{CE} = 3\text{ V}$	25	35	50	
	Resistive load	$V_{CC} = 125\text{ V}, I_C = 1\text{ A},$				
$t_s$	Storage time	$I_{B(on)} = -I_{B(off)} = 0.2\text{ A},$		2.5	3.5	$\mu\text{s}$
$t_f$	Fall time	$t_p = 300\text{ }\mu\text{s}, V_{BE(off)} = -5\text{ V}$		350	500	ns
$E_{AR}$	Repetitive avalanche energy	$L = 2\text{ mH}, C = 1.8\text{ nF},$ $V_{BE(off)} = -5\text{ V}$	5			mJ

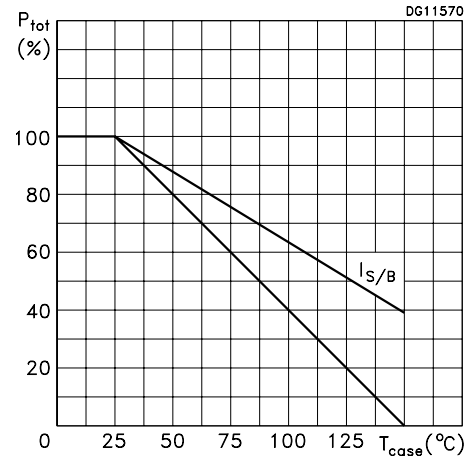
1. Pulsed: Pulse duration = 300  $\mu\text{s}$ , duty cycle  $\leq 1.5\%$ .

## 2.1 Electrical characteristics (curves)

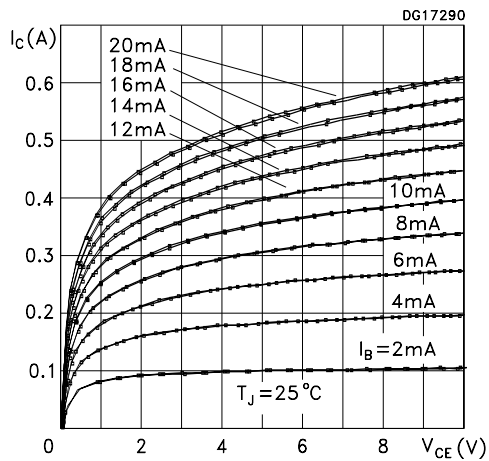
**Figure 1. Safe operating area**



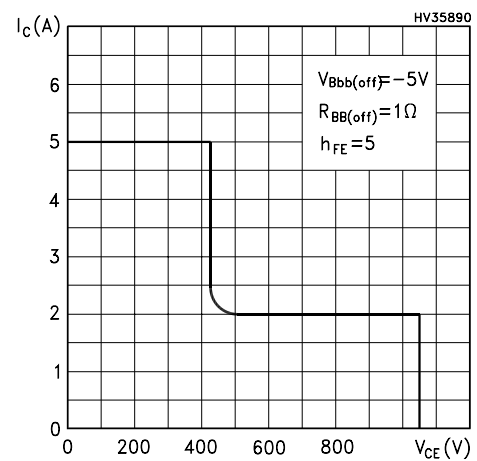
**Figure 2. Derating curve**



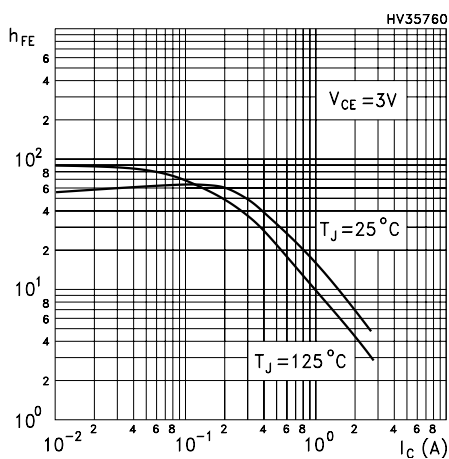
**Figure 3. Output characteristics**



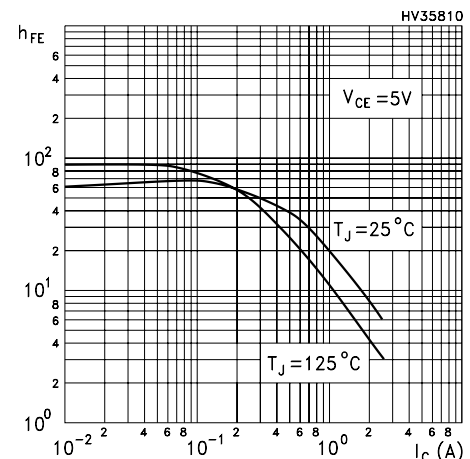
**Figure 4. Reverse biased safe operating area**

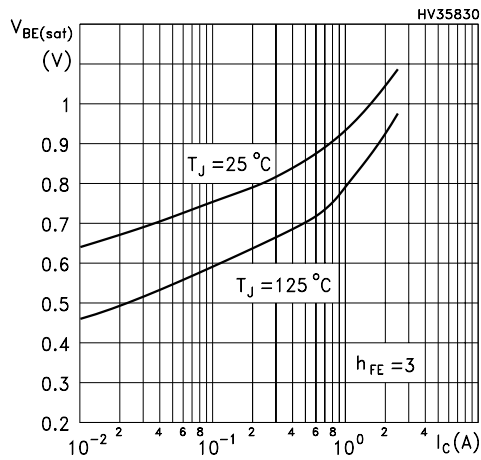
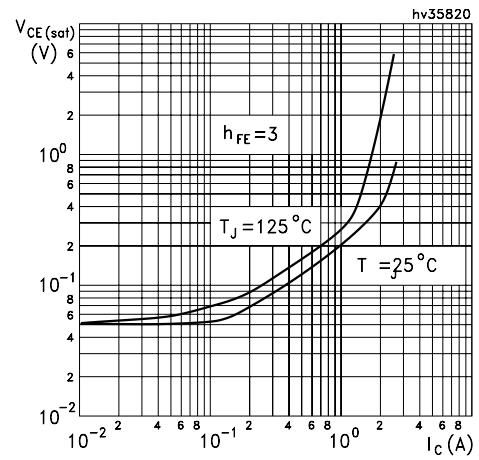
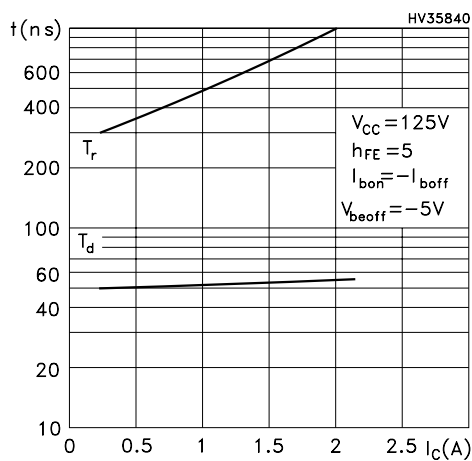
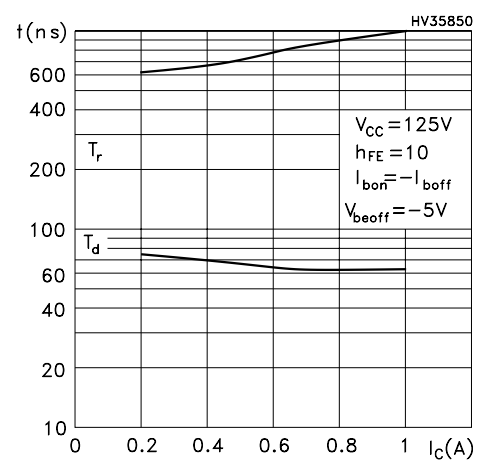
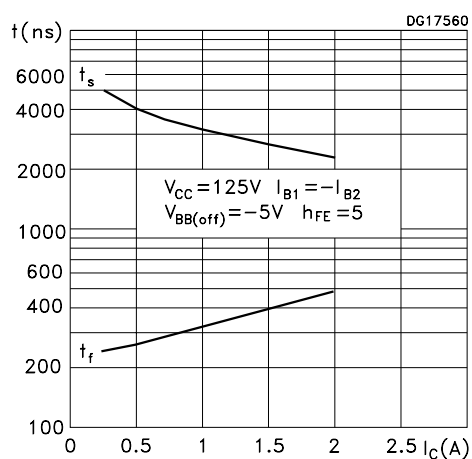
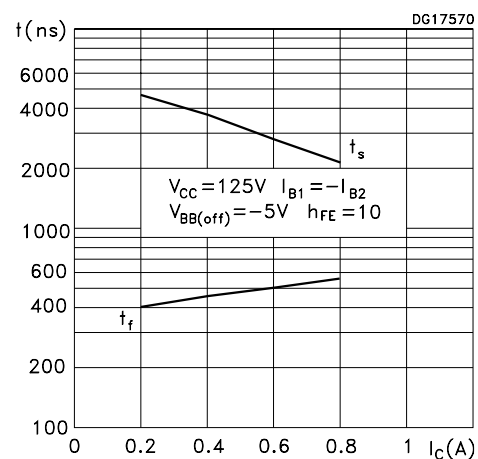


**Figure 5. DC current gain ( $V_{CE} = 3V$ )**



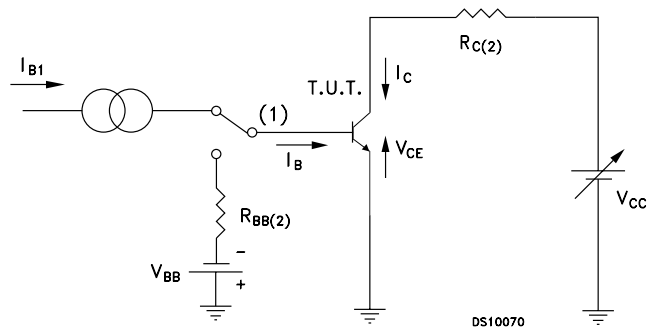
**Figure 6. DC current gain ( $V_{CE} = 5V$ )**



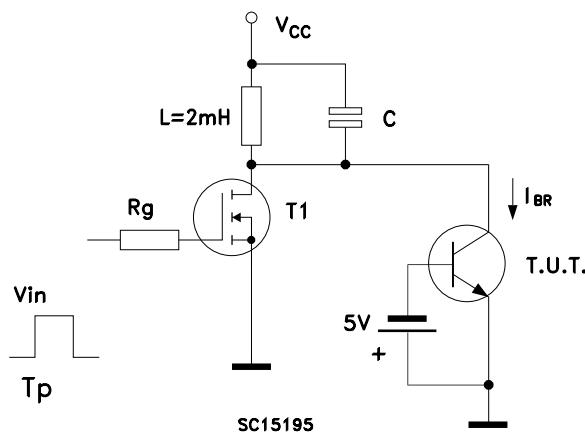
**Figure 7. Base-emitter saturation voltage**

**Figure 8. Collector-emitter saturation voltage**

**Figure 9. Resistive load switching on times ( $h_{FE} = 5$ )**

**Figure 10. Resistive load switching on times ( $h_{FE} = 10$ )**

**Figure 11. Resistive load switching off times ( $h_{FE} = 5$ )**

**Figure 12. Resistive load switching off times ( $h_{FE} = 10$ )**


### 3 Test circuits

**Figure 13. Resistive load switching test circuit**



**Figure 14. Energy rating test circuit**

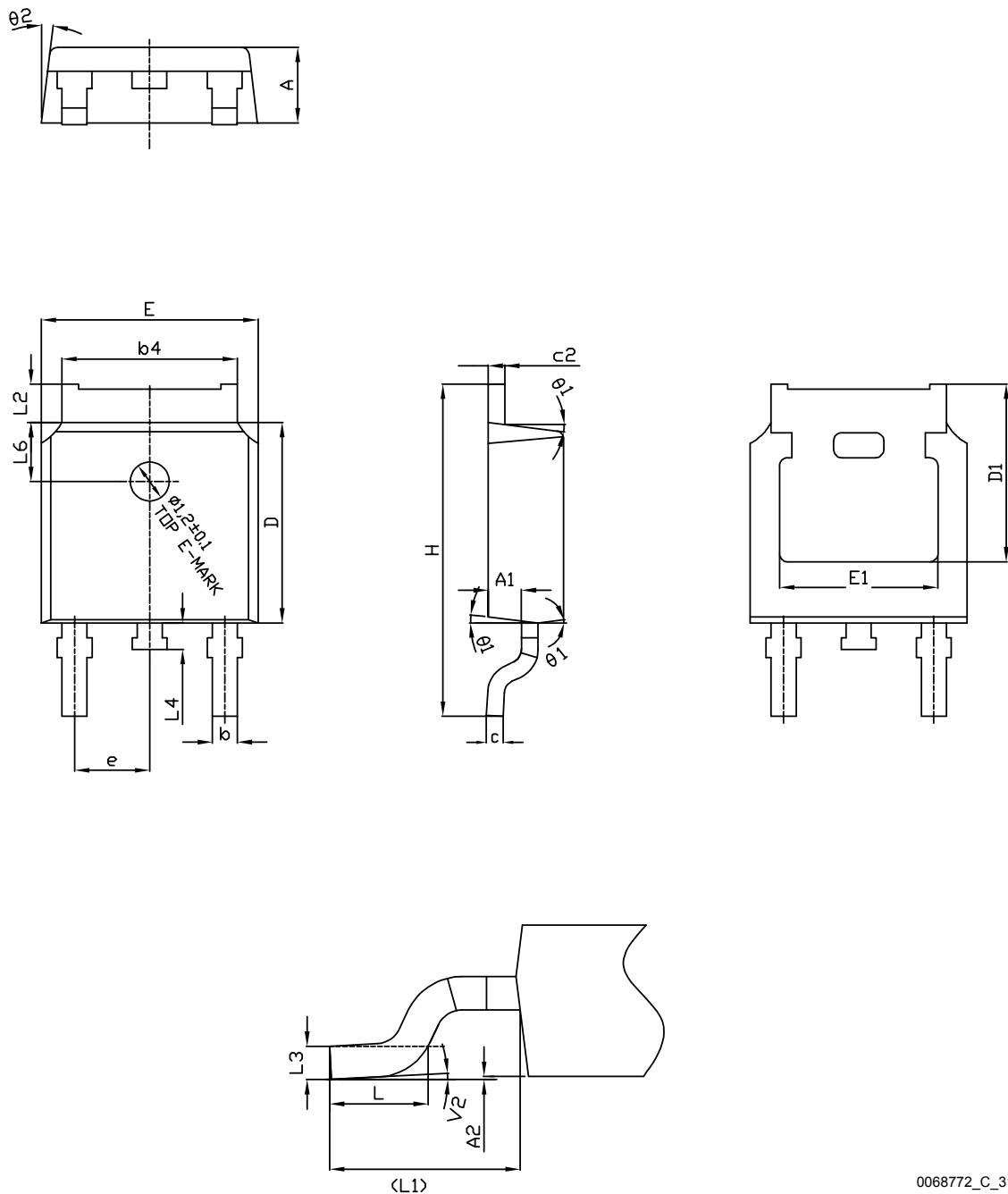


## 4 Package information

In order to meet environmental requirements, ST offers these devices in different grades of **ECOPACK** packages, depending on their level of environmental compliance. ECOPACK specifications, grade definitions and product status are available at: [www.st.com](http://www.st.com). ECOPACK is an ST trademark.

### 4.1 DPAK (TO-252) type C package information

Figure 15. DPAK (TO-252) type C package outline



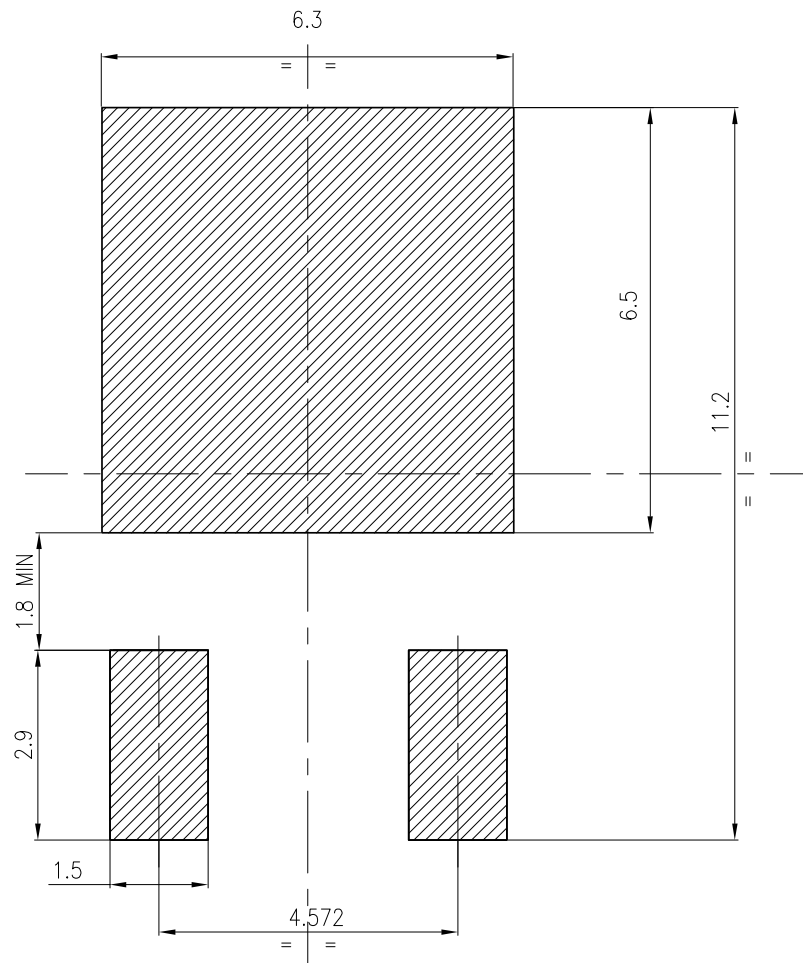
0068772\_C\_31

**Table 4. DPAK (TO-252) type C mechanical data**

Dim.	mm		
	Min.	Typ.	Max.
A	2.20	2.30	2.38
A1	0.90	1.01	1.10
A2	0.00		0.10
b	0.72		0.85
b4	5.13	5.33	5.46
c	0.47		0.60
c2	0.47		0.60
D	6.00	6.10	6.20
D1	5.15	5.40	5.65
E	6.50	6.60	6.70
E1	4.70	4.85	5.00
e	2.186	2.286	2.386
H	9.80	10.10	10.40
L	1.40	1.50	1.70
L1	2.90 REF		
L2	0.90		1.25
L3	0.51 BSC		
L4	0.60	0.80	1.00
L6	1.80 BSC		
θ1	5°	7°	9°
θ2	5°	7°	9°
V2	0°		8°



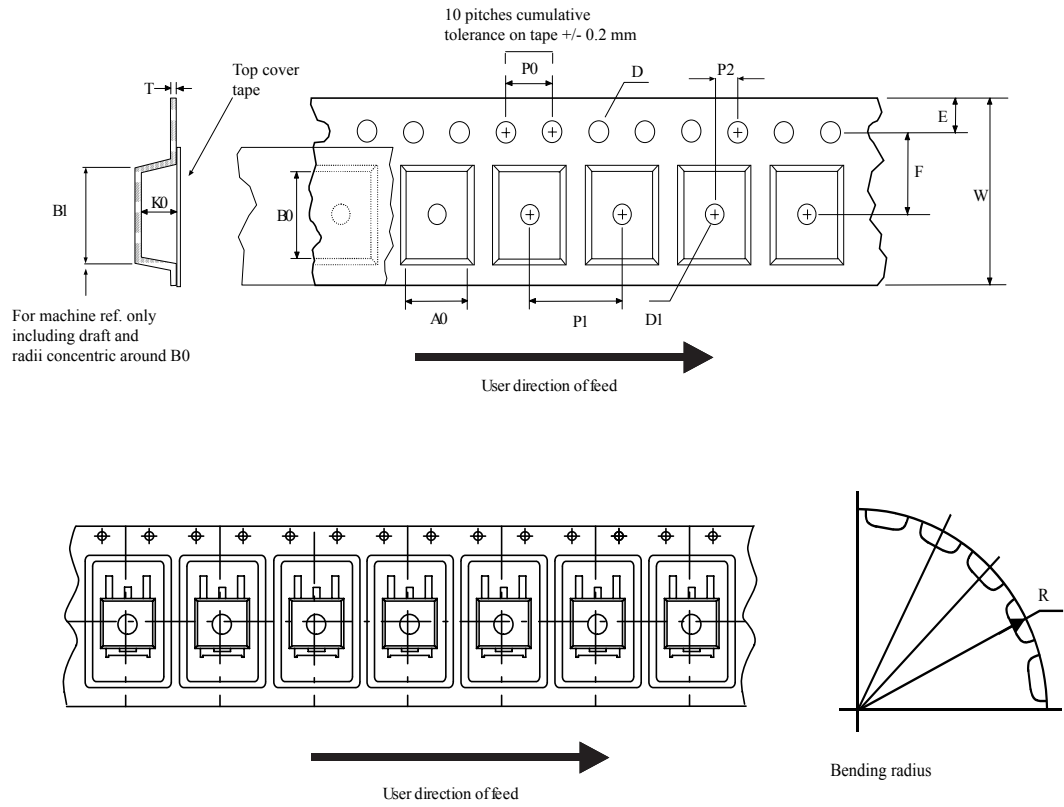
**Figure 16. DPAK (TO-252) recommended footprint (dimensions are in mm)**



FP\_0068772\_31

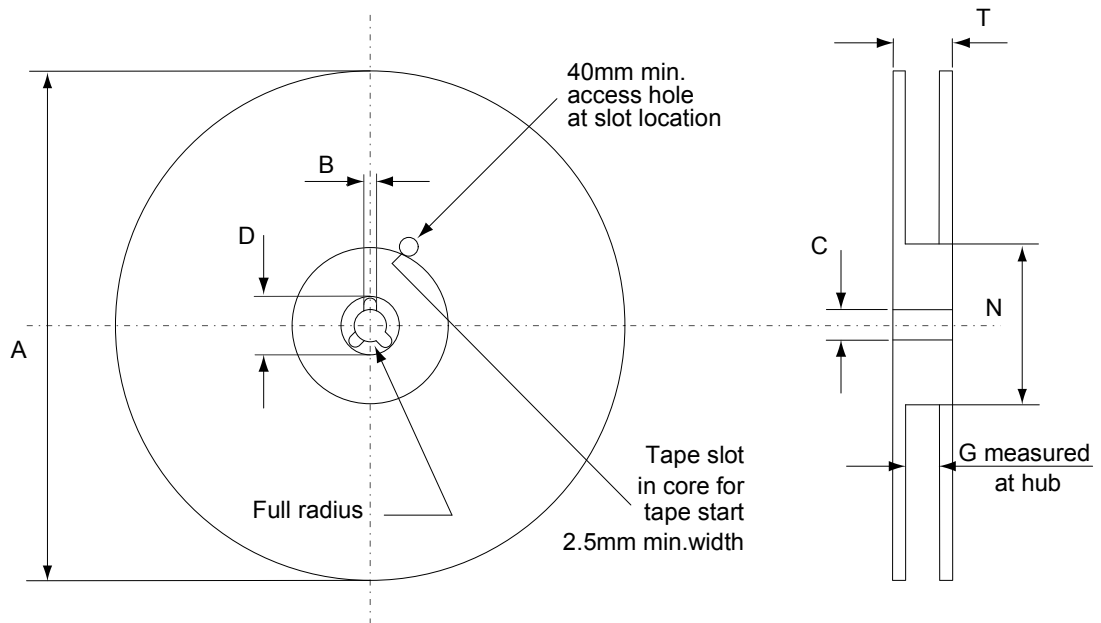
## 4.2 DPAK (TO-252) packing information

**Figure 17. DPAK (TO-252) tape outline**



AM08852v1

**Figure 18. DPAK (TO-252) reel outline**



AM06038v1

**Table 5. DPAK (TO-252) tape and reel mechanical data**

Tape			Reel		
Dim.	mm		Dim.	mm	
	Min.	Max.		Min.	Max.
A0	6.8	7	A		330
B0	10.4	10.6	B	1.5	
B1		12.1	C	12.8	13.2
D	1.5	1.6	D	20.2	
D1	1.5		G	16.4	18.4
E	1.65	1.85	N	50	
F	7.4	7.6	T		22.4
K0	2.55	2.75			
P0	3.9	4.1		Base qty.	2500
P1	7.9	8.1		Bulk qty.	2500
P2	1.9	2.1			
R	40				
T	0.25	0.35			
W	15.7	16.3			

## Revision history

**Table 6. Document revision history**

Date	Revision	Changes
20-Dec-2006	1	Initial release.
09-Jul-2007	2	Updated package names in page 1, added <i>figure 4</i> , updated <i>figure 12</i> and <i>13</i> .
15-Jul-2022	3	Removed obsolete order code BULD741-1 and updated <a href="#">Section 4.1 DPAK (TO-252) type C package information</a> . Minor text changes.

## Contents

<b>1</b>	<b>Electrical ratings</b> .....	<b>2</b>
<b>2</b>	<b>Electrical characteristics</b> .....	<b>3</b>
<b>2.1</b>	Electrical characteristics (curves) .....	<b>4</b>
<b>3</b>	<b>Test circuits</b> .....	<b>6</b>
<b>4</b>	<b>Package information</b> .....	<b>7</b>
<b>4.1</b>	DPAK (TO-252) type C package information .....	<b>7</b>
<b>4.2</b>	DPAK (TO-252) packing information .....	<b>10</b>
	<b>Revision history</b> .....	<b>12</b>

**IMPORTANT NOTICE – READ CAREFULLY**

STMicroelectronics NV and its subsidiaries (“ST”) reserve the right to make changes, corrections, enhancements, modifications, and improvements to ST products and/or to this document at any time without notice. Purchasers should obtain the latest relevant information on ST products before placing orders. ST products are sold pursuant to ST’s terms and conditions of sale in place at the time of order acknowledgment.

Purchasers are solely responsible for the choice, selection, and use of ST products and ST assumes no liability for application assistance or the design of purchasers’ products.

No license, express or implied, to any intellectual property right is granted by ST herein.

Resale of ST products with provisions different from the information set forth herein shall void any warranty granted by ST for such product.

ST and the ST logo are trademarks of ST. For additional information about ST trademarks, refer to [www.st.com/trademarks](http://www.st.com/trademarks). All other product or service names are the property of their respective owners.

Information in this document supersedes and replaces information previously supplied in any prior versions of this document.

© 2022 STMicroelectronics – All rights reserved