



Single Port RJ45 Connector

AR11-4650I



- 100/1000 Base T Gigabit for LAN, WAN and other Ethernet applications
- Meets IEEE 802.3 specification
- Standard Operating Temp: -40°C +125°C

Electrical Specifications @ 25°C

OCL(μH Min) @100KHz, 0.1V With 8mA DC Bias	Turns Ratio Pri : Sec 1CT : 1	Return Loss (dB Min)	
		0.5-40MHz	40.1-100MHz
350		-18	-12-20LOG(f/80)

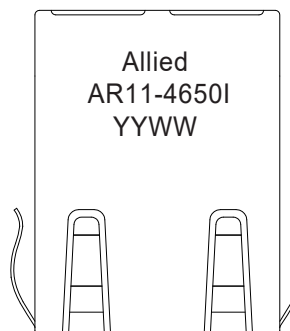
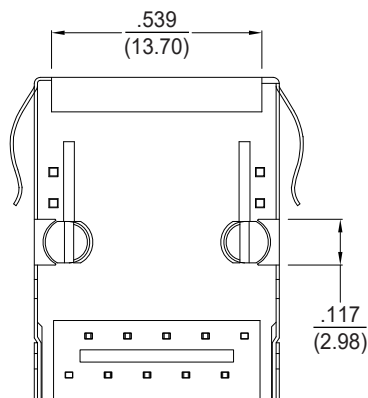
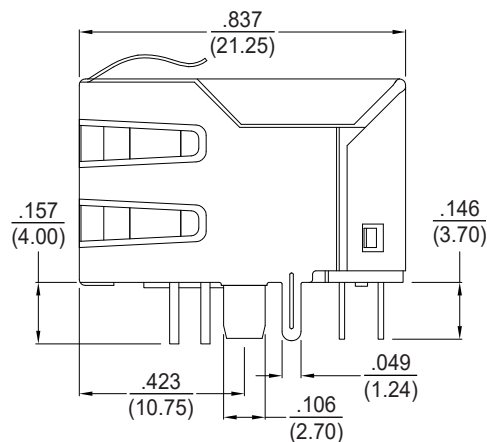
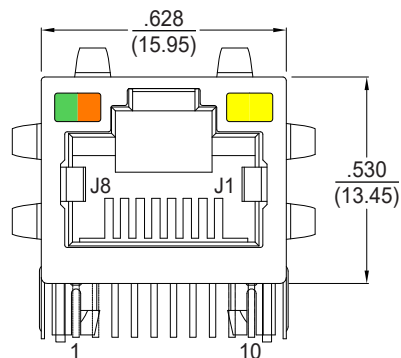
Electrical Specifications @ 25°C

Insertion Loss (dB Max)	Cross Talk (dB Min)		CMR (dB Min)	Hi-Pot	
	0.5-40MHz	40.1-100MHz	0.5-100MHz	Minimum	60Sec
0.5-100MHz -1.1	-35	-33-20LOG(f/50)	-30	1500Vrms	2.25KVDC

All specifications subject to change without notice.

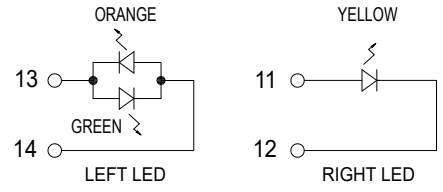
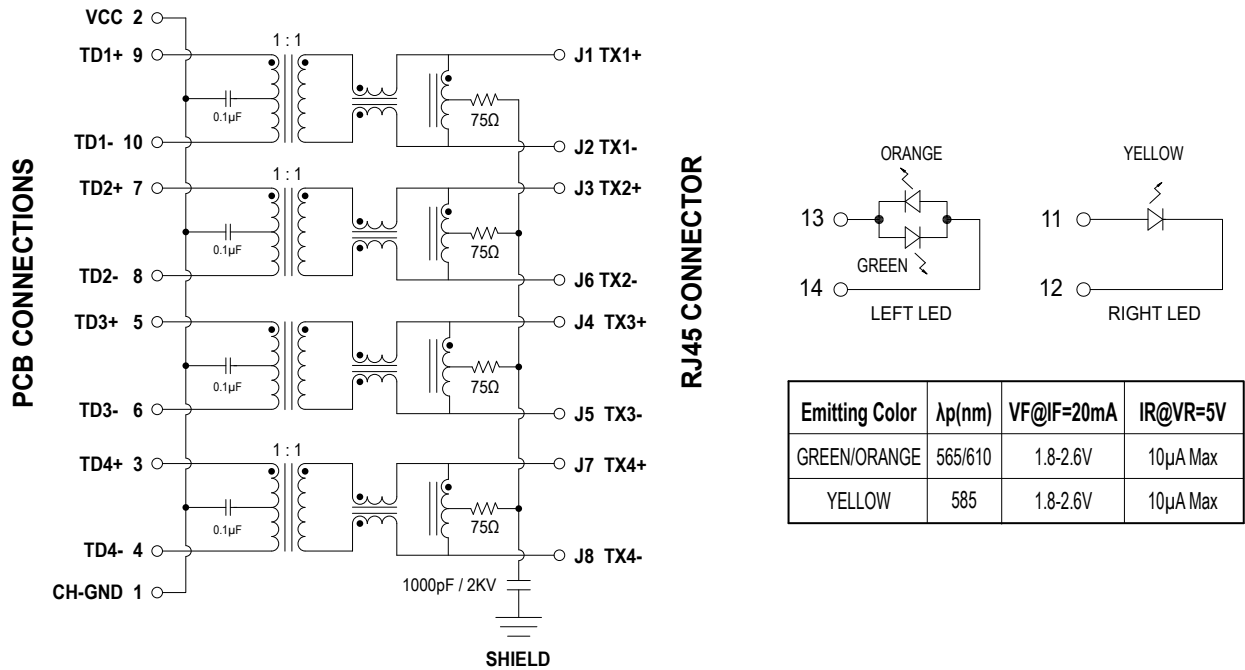
MECHANICAL

Dimensions: $\frac{\text{inch}}{\text{mm}}$





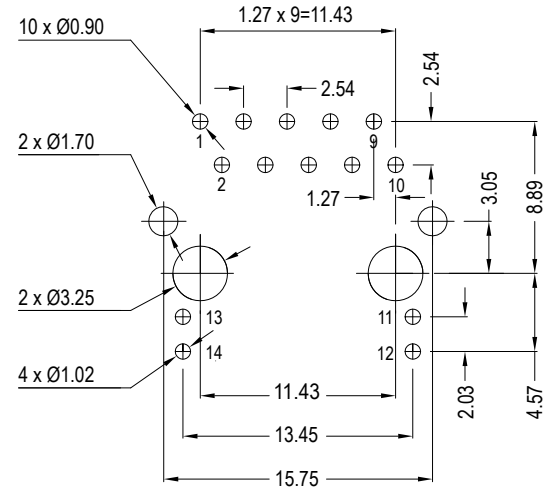
SCHEMATIC



Emitting Color	λ_p (nm)	$V_F@I_F=20mA$	$I_R@V_R=5V$
GREEN/ORANGE	565/610	1.8-2.6V	10µA Max
YELLOW	585	1.8-2.6V	10µA Max

PCB LAYOUT

Dimensions: mm



Tolerance is ±0.2mm unless otherwise specified

NOTES

- Connector Materials:**
Housing: Thermoplastic PBT+30% G.F. UL94V-0
Contact: Phosphor Bronze C5210R-EH Thickness = 0.35mm
Pins: Brass C2680R-H Thickness = 0.35mm
Shield: SUS 201-1/2H Thickness = 0.20mm
Contact Plating: Gold 6µ" min. in contact area
- Wave solder peak temperature:** 265°C max, 5 sec. max