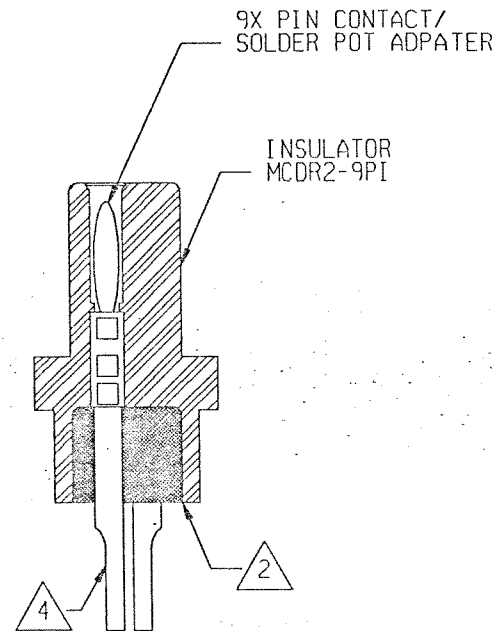
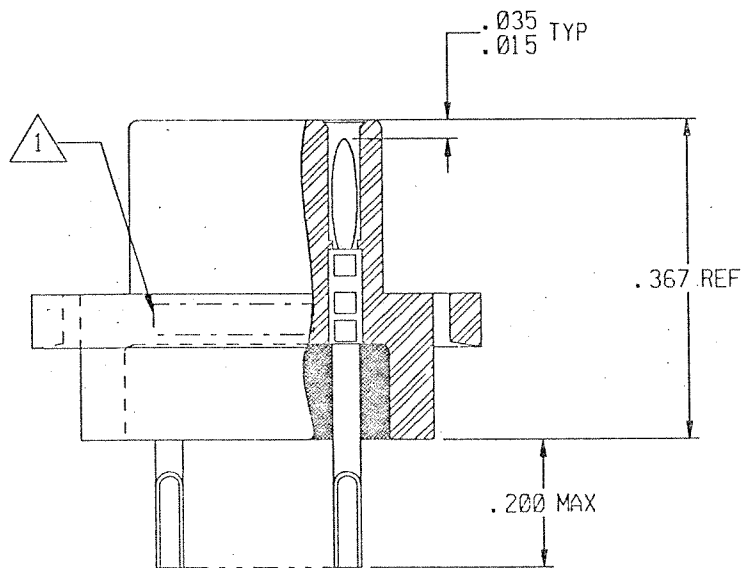
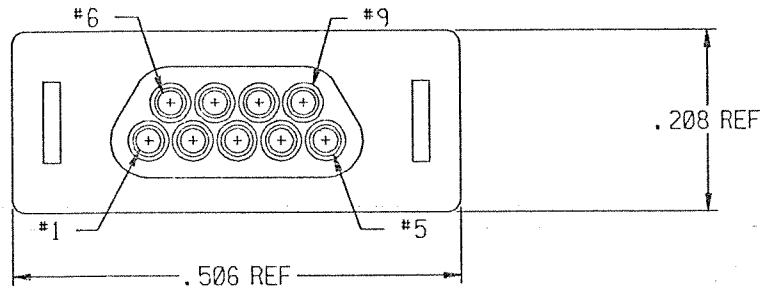


REVISION

ZONE	LTR	ECN	DESCRIPTION	DATE	APPROVED
	B	40164	UPDATE 'TEMPLATE'.	5/1/00	me



Tyco Dwg 9-1532026-5
Micro P/N 095-9603-1004

NOTES: UNLESS OTHERWISE SPECIFIED

- 1. MARK PER TIS.
- 2. EPOXY AS SHOWN WITH P/N: 194-8102-6215/6225.
- 3. CRIMP SOLDER ADAPTER INTO CONTACT PER MEP302-05.
- 4. CHAMFER ON SOLDER POTS ARE TO BE PARALLEL WITH THE SIDES OF CONNECTOR WITHIN 10°.

UNLESS OTHERWISE SPECIFIED DIMENSIONS ARE IN INCHES. TOLERANCE ARE: FRACTIONS DECIMALS ANGLES ± 1/8 .XX ± .01 ± 2° .XXX ± .005 BREAK EDGES = .005 MAX	APPROVALS		MICRODOT CONNECTORS A DIVISION OF UNI-STAR INDUSTRIES INC. 306 PASADENA AVE., SO. PASADENA, CA 91103	PROD CODE 824 CODE M
	SIGNATURE	DATE		
MATERIAL:	DRAWN BY	5/1/00	RACK & PANEL CONNECTOR MCDR2-B-9PS	
	P.E.			
	H.E.			
FINISH:	Q.A.			
	THIS DOCUMENT IS THE PROPERTY OF MICRODOT CONNECTORS, A DIVISION OF UNI-STAR INDUSTRIES INC. USE OF THIS DOCUMENT OR ANY PART THEREOF IS STRICTLY FORBIDDEN WITHOUT THE EXPRESS WRITTEN PERMISSION OF MICRODOT CONNECTORS, A DIVISION OF UNI-STAR INDUSTRIES INC.			SIZE CODE IDENT NO. DRAWING NO. A 98278 095-9603-1004
SCALE: NONE			FILENAME: 09596031004	SHEET 1 OF 1

4

1

3

2

1