

MAXI-CON-X[®]
SEALED CONNECTORS
AND CABLES



Switchcraft[®]
CONXALL[®]
HARSH ENVIRONMENT CONNECTIVITY SOLUTIONS

Maxi-Con-X® Sealed Connectors

Thousands of configurations are available up to 20 contacts with a variety of options



Available as field installable connectors or factory molded cable assemblies

Coupling rings have overriding locking features to prevent loosening or separation of connector



Available with solder, crimp, PC mount, and right angle PC mount style contacts

CONXALL® PRODUCT

The Maxi Con X® series from Conxall® sets the standard for sealed circular connectors. It is built to withstand harsh environments with an IP67 seal rating, and a 600V voltage rating makes it an ideal solution for power or signal. Thousands of configurations are available up to 20 contacts, including custom molded cable assemblies.

IP67
RATED WATER
RESISTANCE

The Con-X® series is sealed to IP67 for harsh environments when used with a molded cable assembly.



**600V VOLTAGE
RATING**

600V voltage rating makes it an ideal solution for power or signal.



**CONXALL
QUALITY**

Made in USA to the high standards that have made Conxall® the leading name in harsh environment connectors

MAXI-CON-X® LINE



CABLE END - SOCKET
MATES WITH PANEL MOUNT AND
CABLE TO CABLE



CABLE END - PIN
MATES WITH PANEL MOUNT AND
CABLE TO CABLE



CABLE TO CABLE / INLINE - PIN
MATES WITH CABLE END



PANEL MOUNT - PIN
MATES WITH CABLE END



PANEL MOUNT - SOCKET
MATES WITH CABLE END



DUST CAP
P/N - 14295



MOLDED CABLE END ASSEMBLY

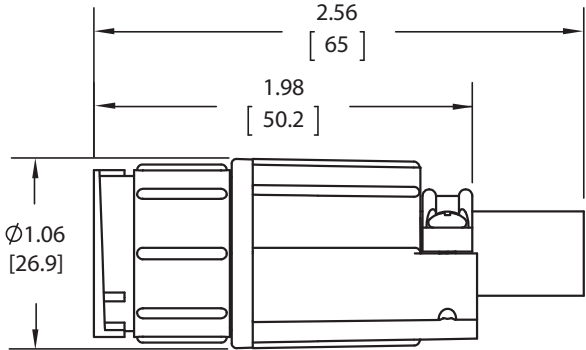


MOLDED CABLE TO CABLE ASSEMBLY

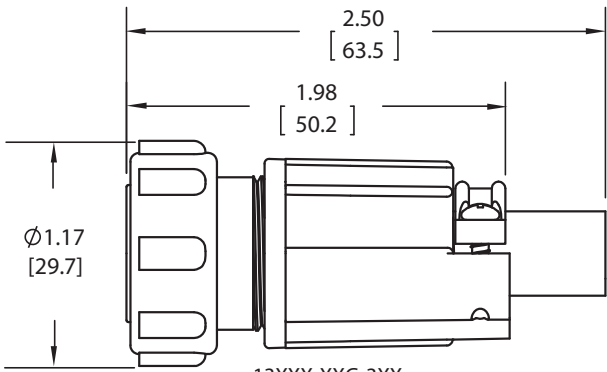


MOLDED RIGHT ANGLE CABLE ASSEMBLY

FIELD INSTALLABLE KITS

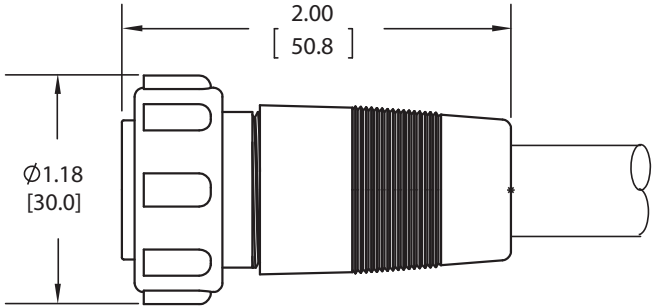


15XXX-XXG-3XX
Field Installable Cable to Cable Connector
Threaded Backshell - Type 3

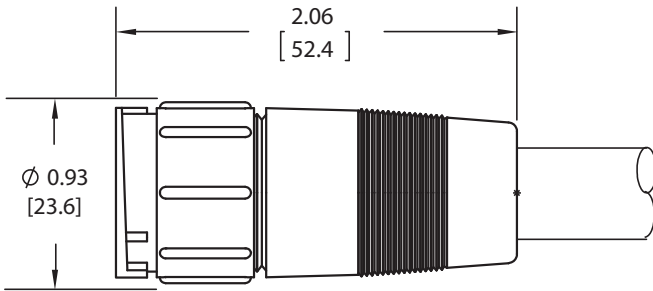


13XXX-XXG-3XX
Field Installable Cable Connector
Threaded Backshell - Type 3

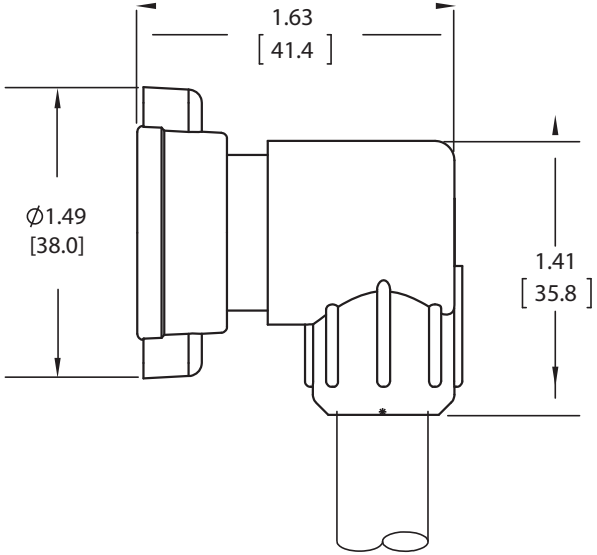
CUSTOM MOLDED CABLE ASSEMBLIES



13XXX-XXG
CUSTOM CABLE CONNECTOR
STRAIGHT OVERMOLDED

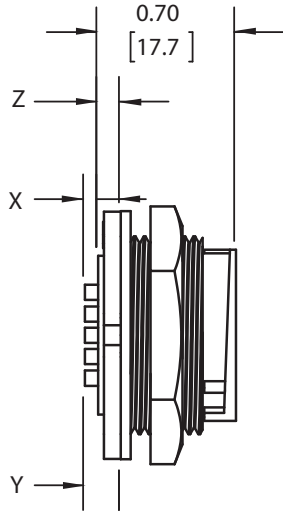


15XXX-XXG
CUSTOM CABLE TO CABLE CONNECTOR
STRAIGHT OVERMOLDED

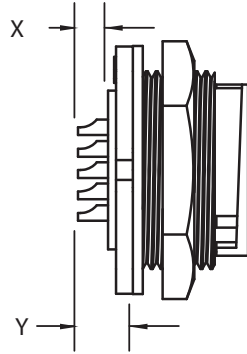


13XXX-XXG
CABLE CONNECTOR
RIGHT ANGLE OVERMOLDED

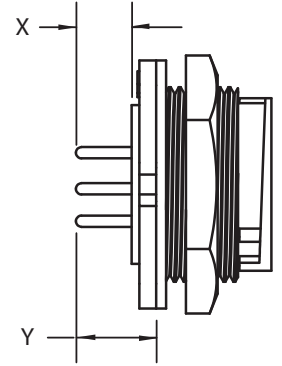
PANEL MOUNT ASSEMBLY KITS



14X80-XXG-3XX
PANEL MOUNT CONNECTOR
CRIMP

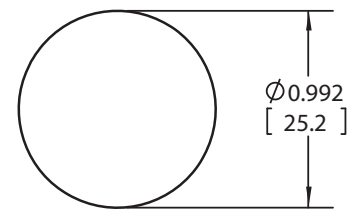
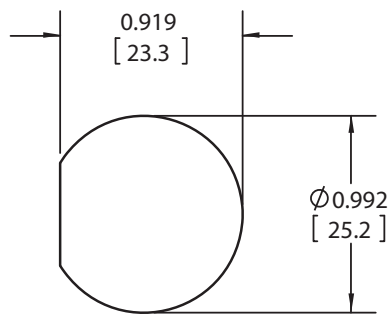
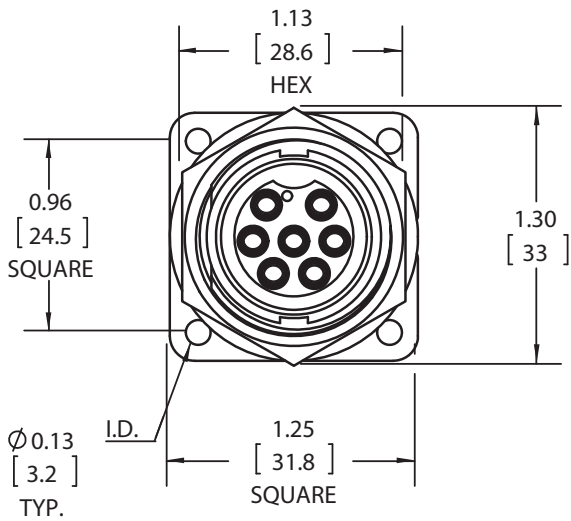


14X82-XXG-3XX
PANEL MOUNT CONNECTOR
SOLDER CUP



14XXX-XXG-3XX
PANEL MOUNT CONNECTOR
PC TAIL

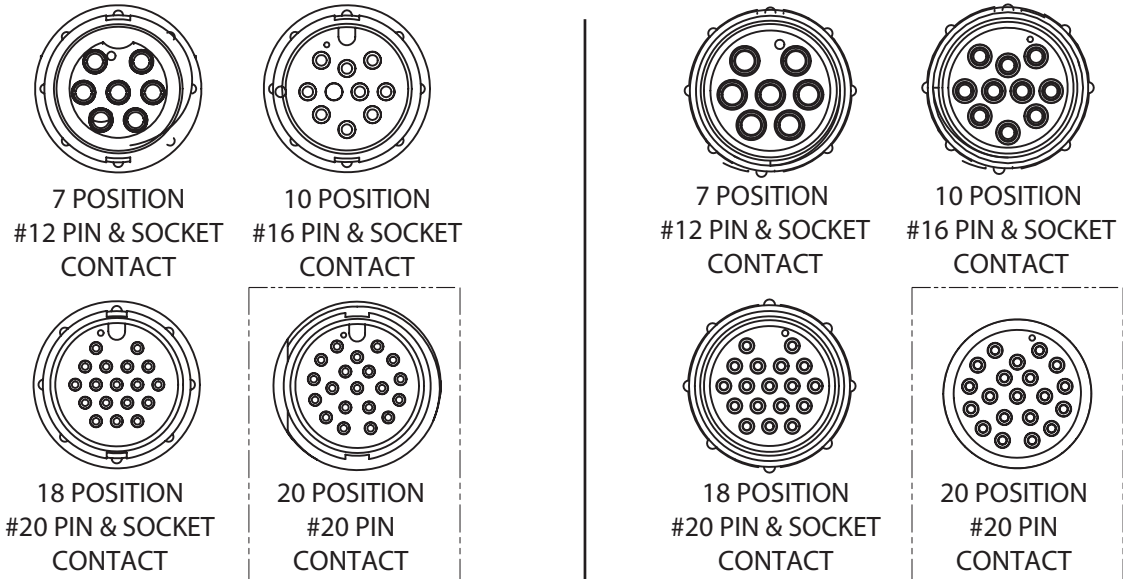
* X, Y, Z - CONSULT FACTORY



RECOMMENDED
PANEL CUT-OUT
TOLERANCE: ± 0.003 [0.08]

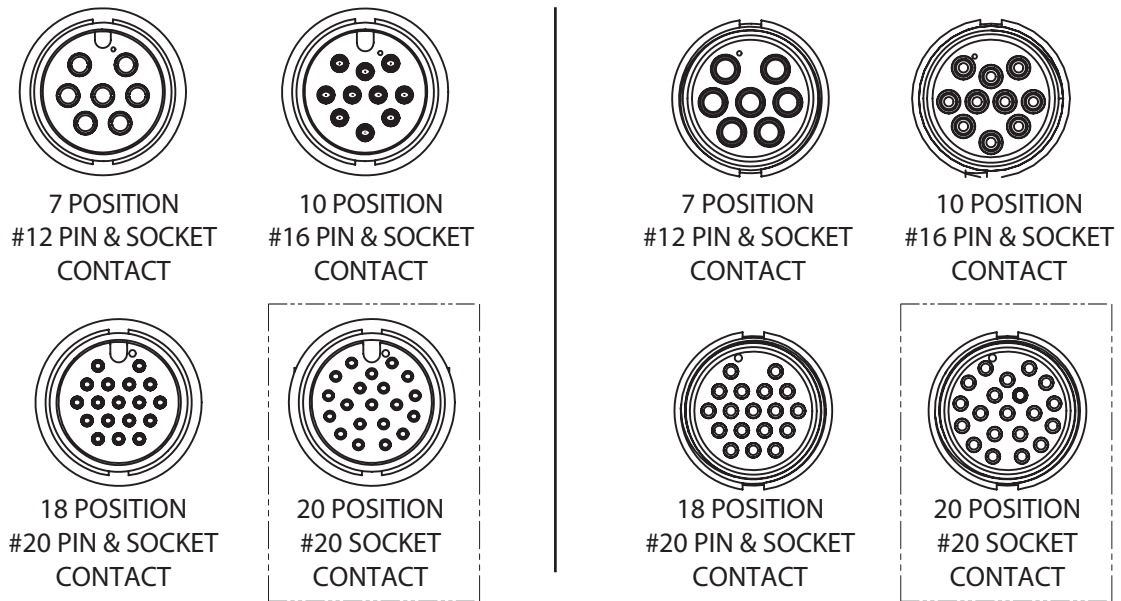
PANEL MOUNT / CABLE TO CABLE CONNECTORS

Front View | Wire View

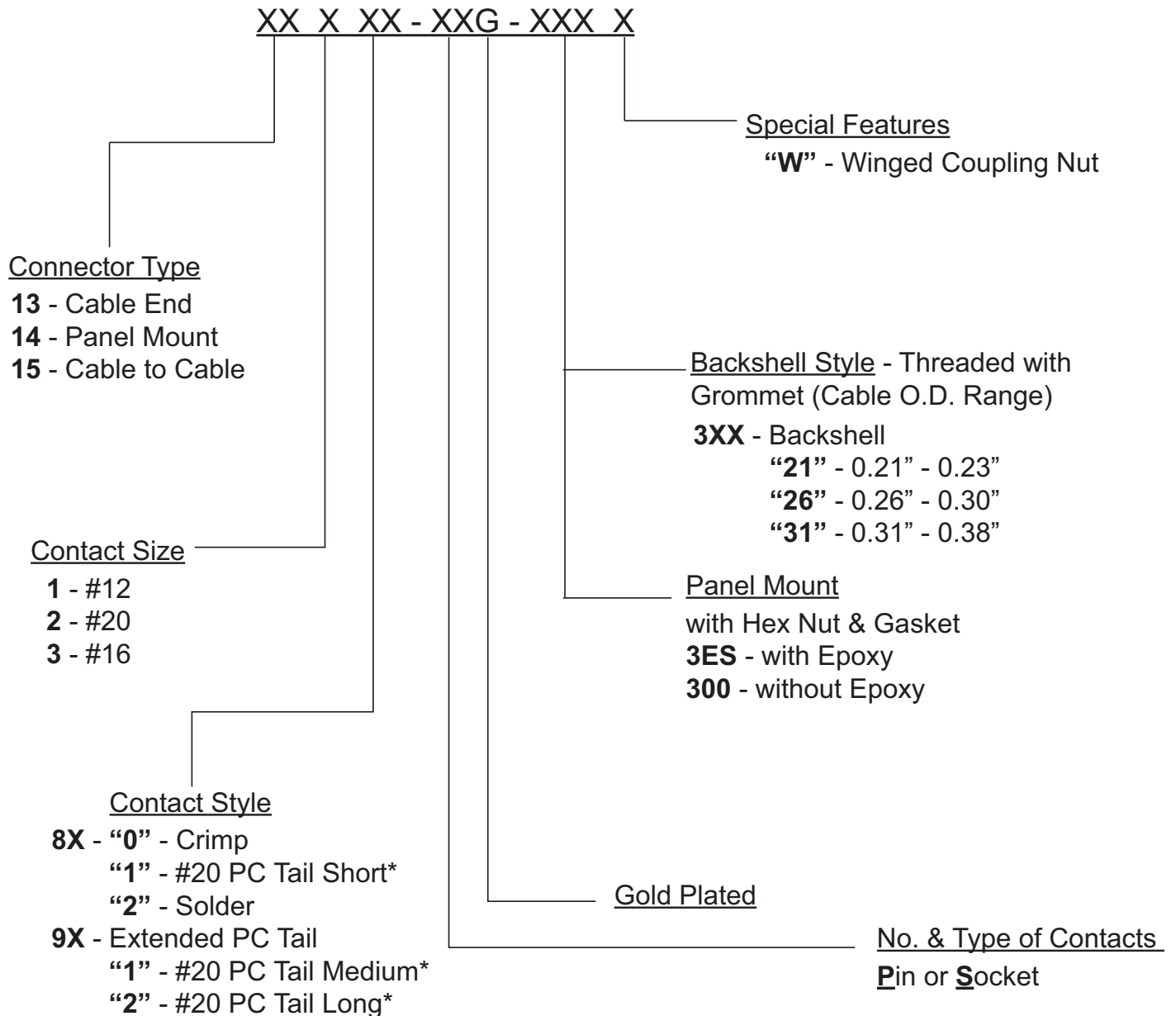


CABLE CONNECTORS

Front View | Wire View



PART NUMBER TO ORDER



***Consult factor of length and diameter of PC Tail. Additionally, alternative colors and materials are available**

COLOR CODED CON-X® LINE



CC2



CH2



CC3



CH3



CC5



CH5



CC7



CH7

ORDERING CODE

Added to the end of your standard Con-X part number

When ordering, use the following code to specify your special feature:

Special Features

CXX = Color Options

└─ Color Designator - see below

└─ Part Designator - see below

└─ Special Feature Designator - see below

Special Feature Designator = C (Color Option)

Part Designator = H (Hex Nut)

C (Coupling Ring-standard)*

Color Designator= 2 (Red)

3 (Blue)

5 (Yellow)

7 (Green)

*Winged coupling ring available on request.
Contact factory for more information.

SPECIFICATIONS

MECHANICAL:

Life:	300 insertion / withdrawal cycles minimum
Vibration:	Coupling rings have overriding locking feature to prevent loosening or separation of connector
Hex Nut Torque:	10 in-lb max tightening torque.
Coupling Style:	Bayonet with ribbed coupling nut (winged coupling nut available)
Backshell Style:	Threaded
Conductor Sizes:	#12 contacts accepts 12 through 14 AWG #16 contacts accepts 16 through 18 AWG #20 contacts accepts 20 through 24 AWG

ELECTRICAL

Voltage Rating:	600V
Current Rating:	23A Max

ENVIRONMENTAL

Operating Temperature:	-40 °C to +85 °C (-40 °F to +195 °F)
Salt Atmosphere (Corrosion):	300 Hr salt spray when mated
Weathertight:	IP67 when mated

MATERIAL

Backshell:	Thermoplastic, UL 94HB, Black
Contacts:	Copper Alloy, Gold over Nickel Plate
Coupling Ring:	Thermoplastic, UL 94HB, Black
Gasket:	Elastomer, Black
Grommet/Strain Relief	Elastomer, Black
Hex Nut:	Thermoplastic, UL 94HB, Black
O-Ring:	Elastomer, Black
Shell:	Thermoplastic, UL 94HB, Black
Optional Dust Cap:	Elastomer, Black

MOLDED CABLE ASSEMBLIES

Weathertight:	NEMA 60; 13: IEC 1P67
---------------	-----------------------