

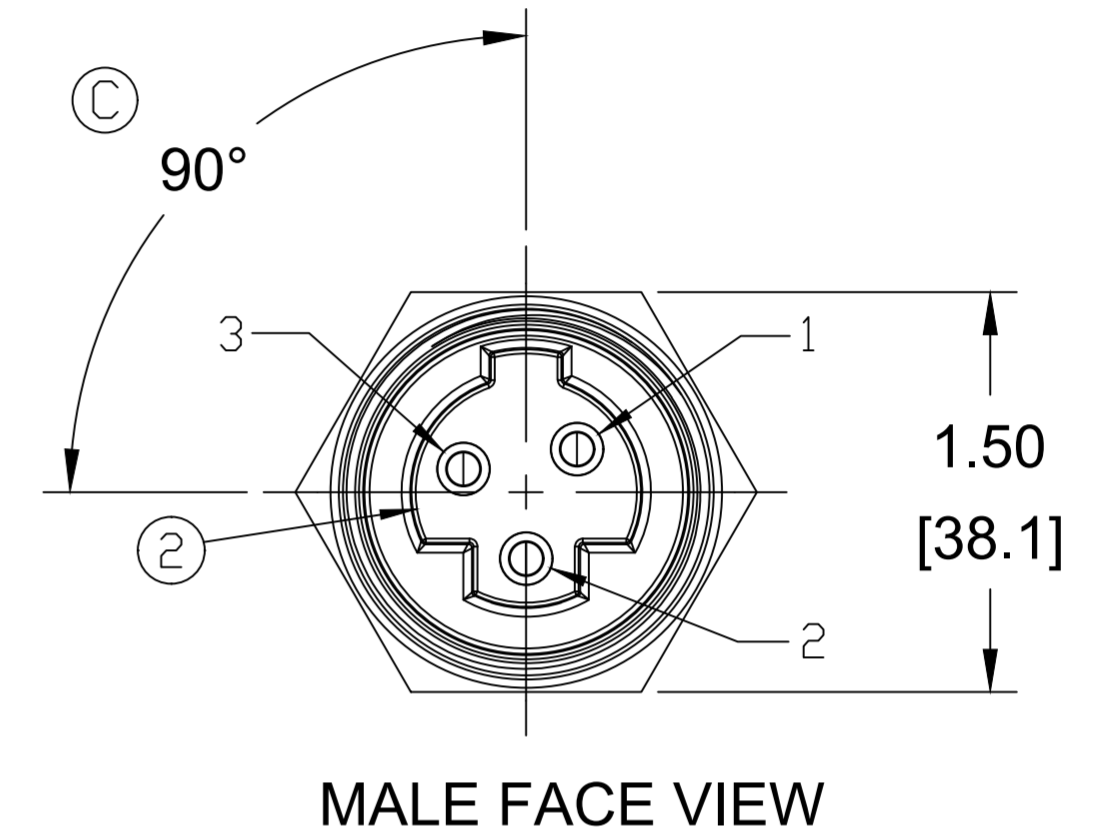
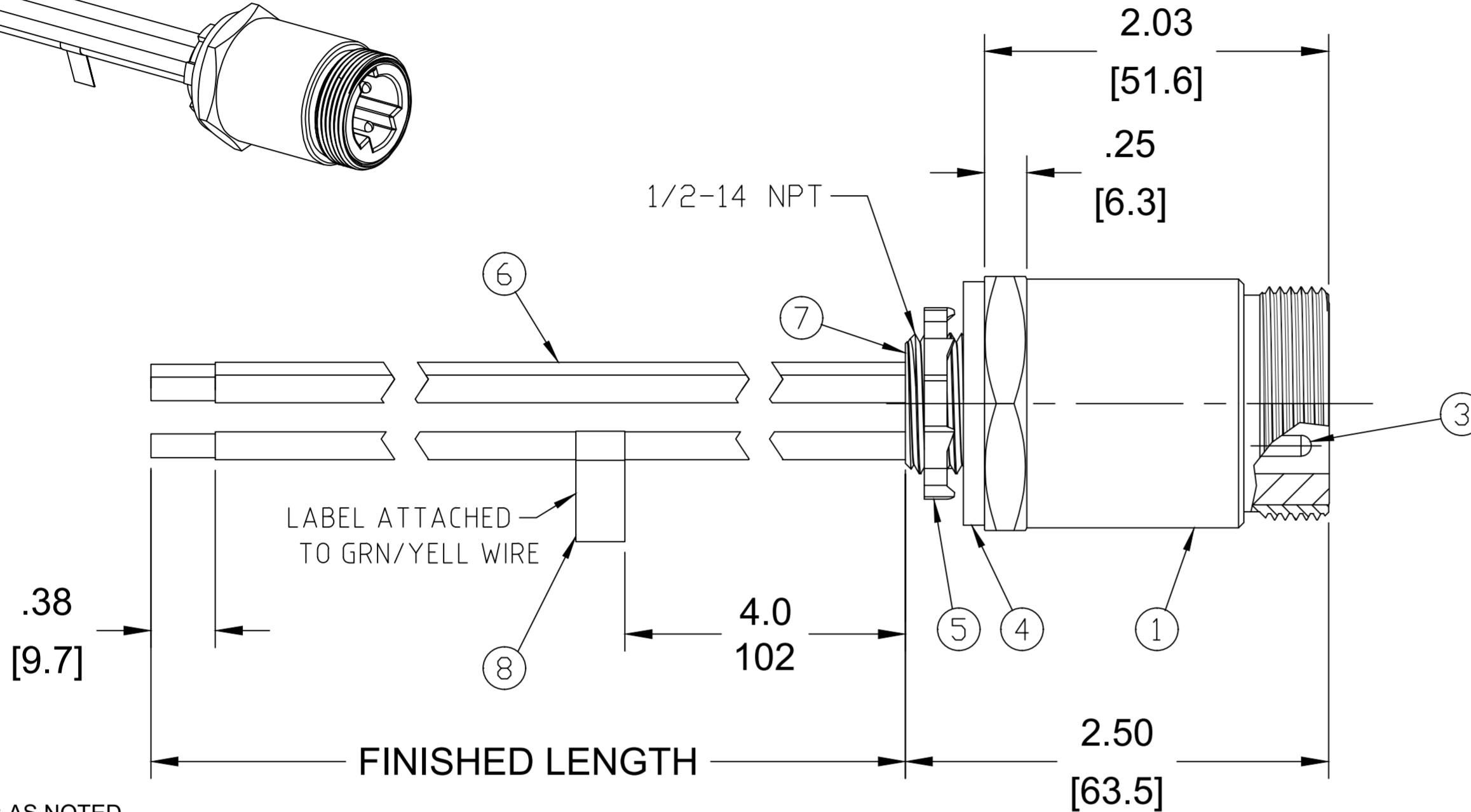
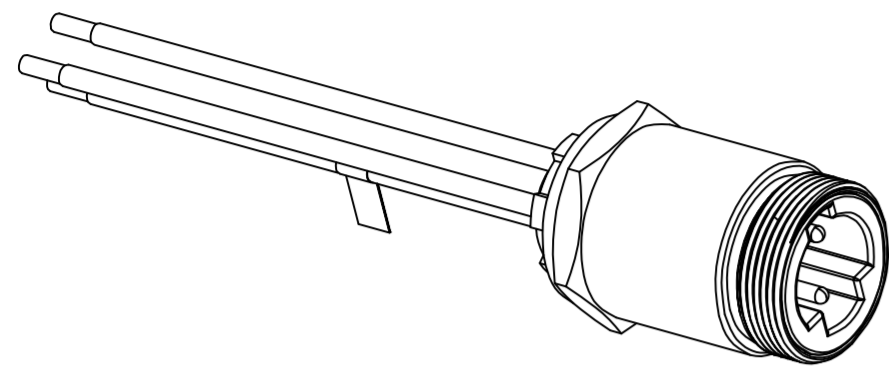
PART NUMBER	ENGINEERING NUMBER	FINISH LENGTH
1300660129	CR3106A30M003	0.98' [0.3M]
1300660257	CR3106A30M005	1.64' [0.5M]
1300660130	CR3106A30M010	3.28' [1.0M]

PART NUMBER LEGEND

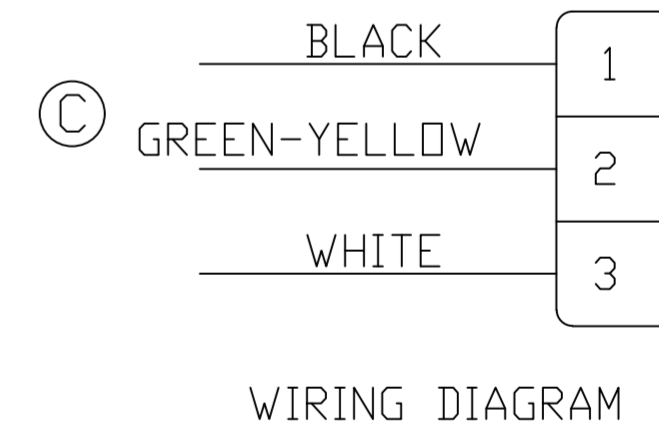
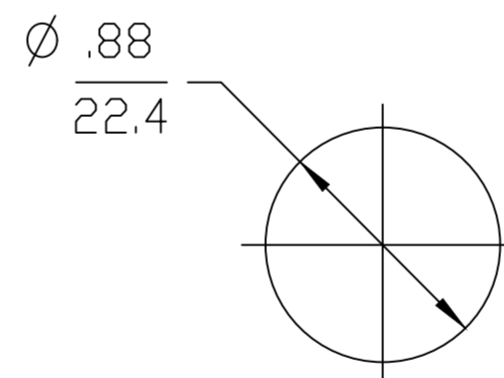
CR3106A30M005

LENGTH
M005 = 0.5 METER
M010 = 1 METER
M100 = 10 METER

CABLE LENGTH TOLERANCES	
>.3M [1FT]:	+19mm-0 [+ .75in-0]
.3 - .9M [1 - 3FT]:	+44.5mm-0 [+1.75in-0]
.9 - 1.8M [3 - 6FT]:	+55.6mm-0 [+2.19in-0]
1.8 - 3.7M [6 - 12FT]:	+88.9mm-0 [+3.50in-0]
3.7 - 7.3M [12 - 24FT]:	+165.1mm-0 [+6.50in-0]
7.3-14.6M [24 - 48FT]:	+317.5mm-0 [+12.50in-0]
14.6 - 30.5M [48-100FT]:	+622.3mm-0 [+24.50in-0]
OVER 30M [100FT]	+2% OF FINISHED LENGTH



- NOTES:**
- MATERIAL: AS NOTED
 - FINISH: AS NOTED
 - ELECTRICAL:
VOLTAGE: 630V PER IEC 60664
600V PER UL 2237
CURRENT: 32A
 - TEMP RATING: -20°C TO +90°C
 - PROTECTION: IP67 (WHEN MATED)
 - COUPLING THREAD: 1 3/8-16UN
 - UL LISTED FILE: E258922
 - ALL DIMS ARE FOR REFERENCE UNLESS TOLERANCED OR NOTED OTHERWISE



8	FLAG LABEL	VINYL	YELLOW
7	POTTING	EPOXY	BLACK
6	#10-1 AWG UL1015 WIRE	PVC JACKET	SEE WIRING DIAGRAM
5	LOCKNUT	STEEL	ZINC PLATED
4	GASKET	NEOPRENE	BLACK
3	CONTACT PIN	COPPER ALLOY	GOLD PLATED
2	MALE INSERT, 3 POLE	TPE (C)	BLACK
1	RECEPTACLE SHELL	ALUMINUM	BLACK ANODIZED
ITEM	DESCRIPTION	MATERIAL	FINISH

THIS DRAWING CONTAINS INFORMATION THAT IS PROPRIETARY TO MOLEX ELECTRONIC TECHNOLOGIES, LLC AND SHOULD NOT BE USED WITHOUT WRITTEN PERMISSION										
SYMBOLS	DIMENSION UNITS	SCALE	CURRENT REV DESC: INSERT WAS PVC, GRN/YELL WIRE WAS GREEN, ADD 90 DEG KEY ANGLE							
	INCH/MM	1:1	molex BRAD POWER RECEPTACLE 3 POLE, MALE 1/2 NPT, ALT KEY, 10AWG							
GENERAL TOLERANCES (UNLESS SPECIFIED)		EC NO: 630235								DRWN: RSTONE 2020/02/03
▽ = 0	4 PLACES ±----	±----	APPR: BWOODMAN 2020/02/16		INITIAL REVISION:			DOCUMENT NUMBER		
▽ = 0	3 PLACES ±----	±----	DRWN: CLYORK 2010/01/19			SD-130066-060		DOC TYPE DOC PART REVISION		
▽ = 0	2 PLACES ±----	±----	APPR: DTITUS 2010/01/20			PSD 001 C		1 OF 1		
▽ = 0	1 PLACE ±----	±----	DRAFT WHERE APPLICABLE MUST REMAIN WITHIN DIMENSIONS			MATERIAL NUMBER		CUSTOMER		
▽ = 0	ANGULAR TOL ± ---- °	THIRD ANGLE PROJECTION	DRAWING		SERIES		SHEET NUMBER			
▽ = 0			C-SIZE		130066		SEE P/N CHART		GENERAL MARKET	