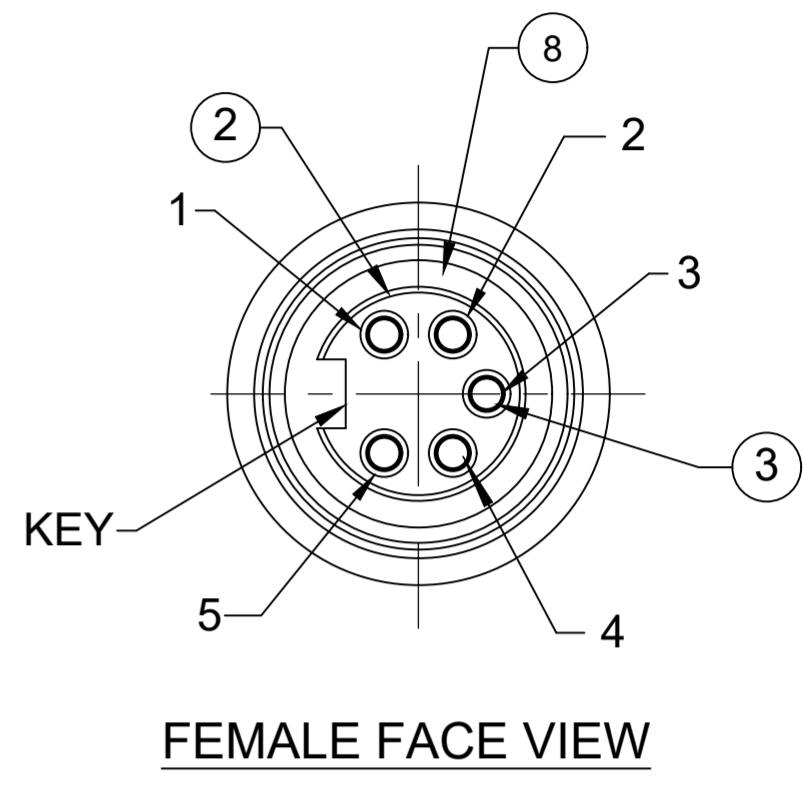
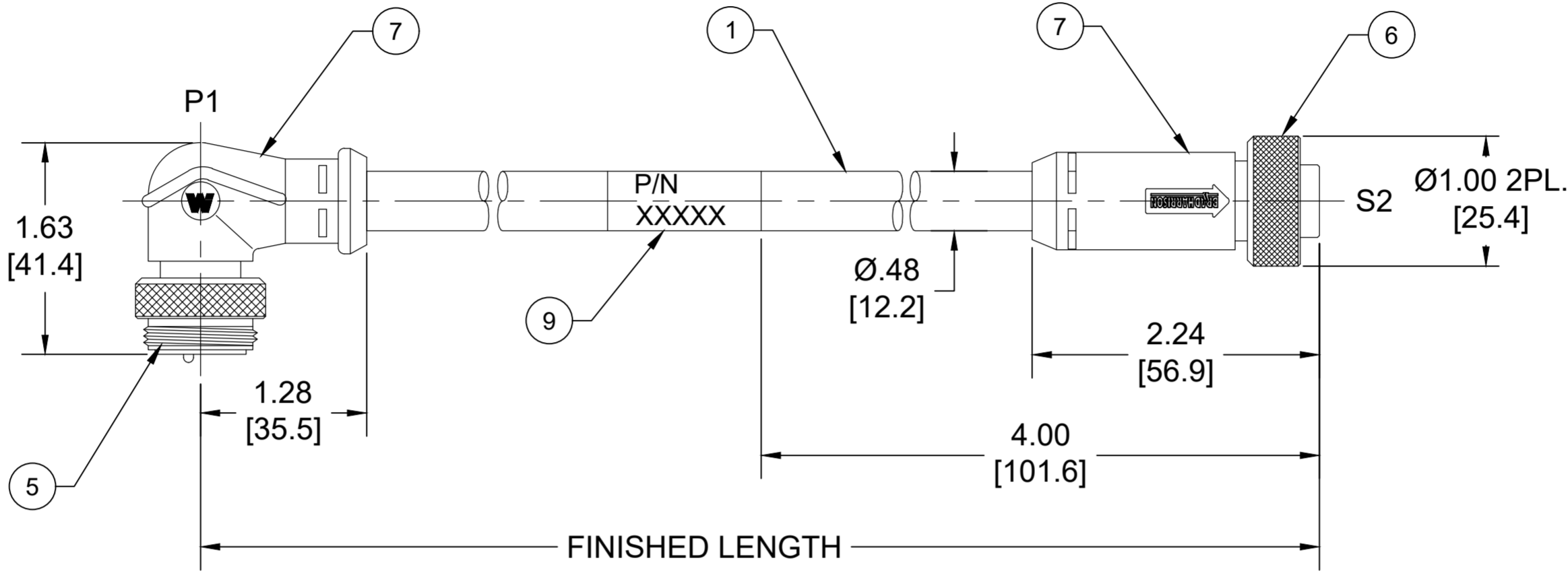
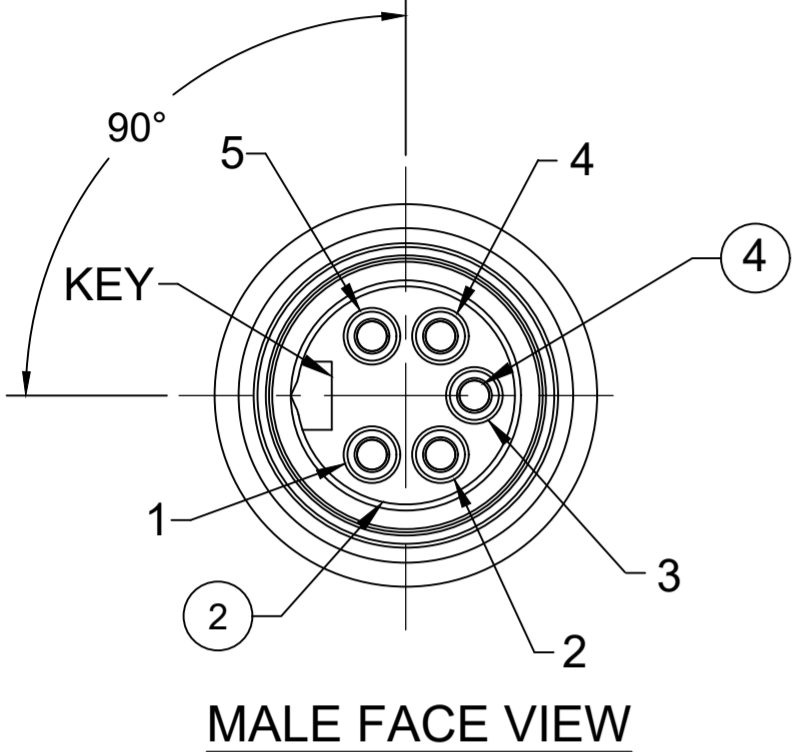


MATERIAL NUMBER	ENGINEERING NUMBER	FINISHED LENGTH
1300250153	DN19A-M005	0.5M [ 1FT 8 IN ]
1300250163	DN19A-M150	15M [ 49FT 2 IN ]
1300250170	DN19A-M300	30M [ 98FT 5 IN ]

### PART NUMBER LEGEND

#### DN19A-M005

FINISHED LENGTH:  
M005= 0.5 METER  
M010= 1 METER  
M100= 10 METER



- NOTES:
- MATERIAL: AS NOTED
  - FINISH: AS NOTED
  - ELECTRICAL:  
VOLTAGE RATING PER IEC 60664: 300V  
VOLTAGE RATING PER UL: 300V  
CURRENT: 4A (B1)
  - TEMP RATING: -20° TO +80°C (B1)
  - PROTECTION: IP67 (WHEN MATED)
  - COUPLING THREAD: 7/8-16
  - UL RECOGNIZED FILE: E152210  
CSA CERTIFIED FILE: LR6837
  - ALL DIMENSIONS ARE FOR REFERENCE UNLESS TOLERANCED OR NOTED OTHERWISE

P1		S2	
1	DRAIN	1	
2	RED	2	
3	BLACK	3	
4	WHITE	4	
5	BLUE	5	

WIRING DIAGRAM

CABLE LENGTH TOLERANCES	
<.3M [1FT]:	+19mm-0 [ +.75in-0]
.3 - .9M [1 - 3FT]:	+44.5mm-0 [+1.75in-0]
.9 - 1.8M [3 - 6FT]:	+55.6mm-0 [+2.19in-0]
1.8 - 3.7M [6 - 12FT]:	+88.9mm-0 [+3.50in-0]
3.7 - 7.3M [12 - 24FT]:	+165.1mm-0 [+6.50in-0]
7.3-14.6M [24 - 48FT]:	+317.5mm-0 [+12.50in-0]
14.6 - 30.5M [48-100FT]:	+622.3mm-0 [+24.50in-0]
OVER 30M [100FT]	+2% OF FINISHED LENGTH

ITEM	COMPONENT	MATERIAL	FINISH
9	WRAP LABEL	VINYL	BLACK/YELLOW
8	FRICTION RING	NYLON	WHITE
7	OVERMOLDS	TPE	GRAY
6	FEMALE COUPLING NUT	ZINC DIE CAST	BLACK E-COATED
5	MALE COUPLING NUT	ZINC DIE CAST	BLACK E-COATED
4	CONTACT PIN	COPPER ALLOY	GOLD OVER NICKEL
3	CONTACT SOCKET	COPPER ALLOY	GOLD OVER NICKEL
2	INSERTS	TPE	BLACK
1	CABLE-DEVICENET THICK CABLE 2/15 & 2/18 SHIELD PAIR	PVC	GRAY

FUNCTIONAL SYMBOLS FA=0 FC=0 FP=0	THIS DRAWING CONTAINS INFORMATION THAT IS PROPRIETARY TO MOLEX ELECTRONIC TECHNOLOGIES, LLC AND SHOULD NOT BE USED WITHOUT WRITTEN PERMISSION		CURRENT REV DESC: INSERTS FINISH CHANGED FROM GRAY TO BLACK. ADDED FRICTION RING. CURRENT WAS 8A. MODIFIED TEMP RATING	
	DIMENSION UNITS	SCALE	EC NO: 720800	
	INCH/MM	NTS	DRWN: ABENJAMINLW	2022/07/18
	GENERAL TOLERANCES (UNLESS SPECIFIED)		CHK'D: RSTONE	2022/09/09
DIVISIONAL SYMBOLS	mm	INCH	APPR: BWOODMAN	2022/09/09
4 PLACES	±----	±----	INITIAL REVISION:	
3 PLACES	±----	±----	DRWN: RSTONE	2017/05/02
2 PLACES	±----	±----	APPR: BWOODMAN	2017/06/14
1 PLACE	±----	±----	THIRD ANGLE PROJECTION	
0 PLACES	±----	±----	DRAWING	
ANGULAR TOL ± ---- °			SERIES	130025
DRAFT WHERE APPLICABLE MUST REMAIN WITHIN DIMENSIONS			MATERIAL NUMBER	SEE CHART
				CUSTOMER
				GENERAL MARKET
				SHEET NUMBER
				1 OF 1

**molex**

MINI-CHANGE DEVICENET, A SIZE,  
5 POLE, 90 DEGREE MALE TO STRAIGHT FEMALE,  
SINGLE KEY, 15/18 AWG

PRODUCT CUSTOMER DRAWING

DOCUMENT NUMBER: SD-130025-029  
DOC TYPE/DOC PART/REVISION: PSD 001 B1