

MATERIALS AND FINISHES

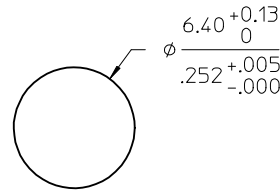
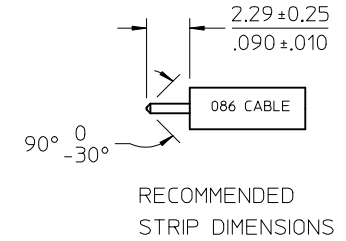
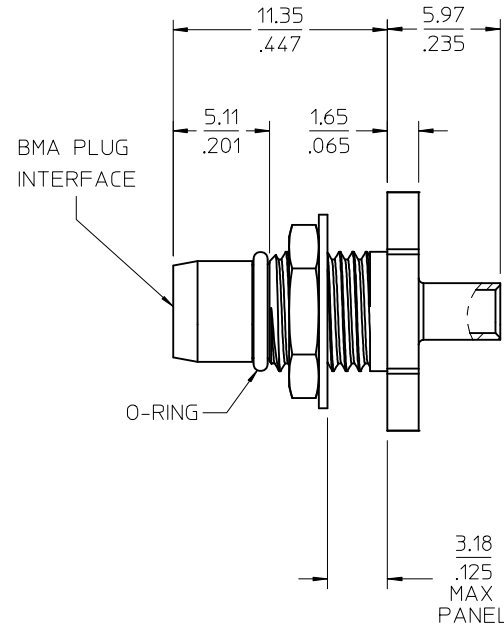
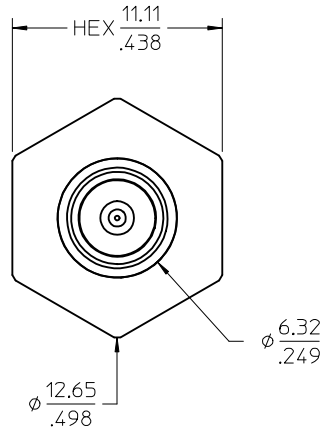
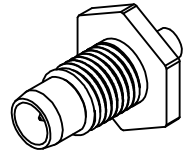
BODY, JAM NUT: STAINLESS STEEL
PLATED GOLD

CONTACT: BERYLLIUM COPPER
PLATED GOLD

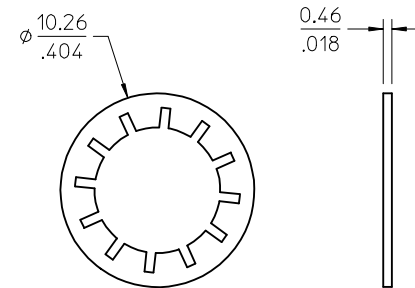
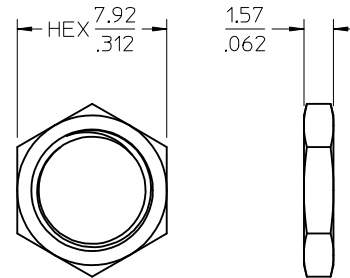
INSULATOR: TEFLON

O-RING: SILICONE RUBBER

LOCKWASHER: STAINLESS STEEL
PLATED GOLD



RECOMMENDED
PANEL CUTOUT



73298-0070	BAG
PART NO.	PACKAGING

PS-89675-1840	PRODUCT SPECIFICATIO
MIL-STD-348A, FIG.321.1	INTERFACE
SPECIFICATION	DESCRIPTION

CHG: ADD PACKAGING FOR 73298-0070 PER RF15-E220 EC NO: URF2015-0668 DRW:YEH CHKD: APPR:YCHENG 2015/05/27 2015/05/29	QUALITY SYMBOLS	DESCRIPTION
	▽=0	DESCRIPTION
	▽=0	DESCRIPTION
	▽=0	DESCRIPTION
A1	REV	DESCRIPTION

GENERAL TOLERANCES (UNLESS SPECIFIED)	
mm	INCH
4 PLACES ± .005	± .0005
3 PLACES ± .005	± .0005
2 PLACES ± .005	± .0005
1 PLACE ± .005	± .0005
0 PLACE ±	±
ANGULAR ± 2 °	
DRAFT WHERE APPLICABLE MUST REMAIN WITHIN DIMENSIONS	

DIMENSION STYLE	
MM/IN	
DRAWN BY	DATE
JM	2006/08/09
CHECKED BY	DATE
JM	2006/08/09
APPROVED BY	DATE
JWIENER	2011/09/28
MATERIAL NO.	
SEE TABLE	
SIZE	C

SCALE	DESIGN UNITS	THIRD ANGLE PROJECTION
5:1	INCH	☉
TITLE		
BMA PLUG STR BLKHD RM FOR 086 CABLE EWR-3175, BMA-PC		
molex		
DOCUMENT NO.	SHEET NO.	
SD-73298-007	1 OF 1	
THIS DRAWING CONTAINS INFORMATION THAT IS PROPRIETARY TO MOLEX INCORPORATED AND SHOULD NOT BE USED WITHOUT WRITTEN PERMISSION		

MATERIALS AND FINISHES

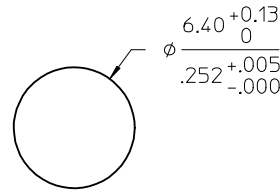
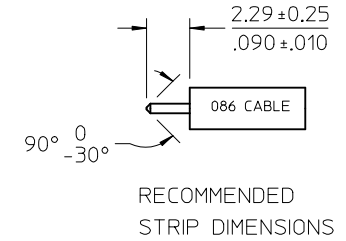
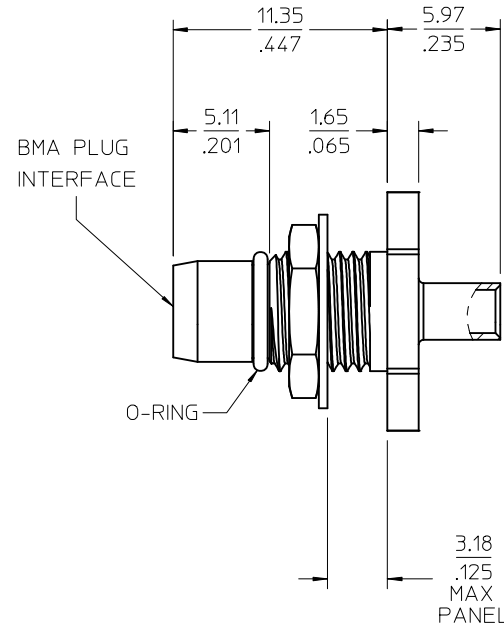
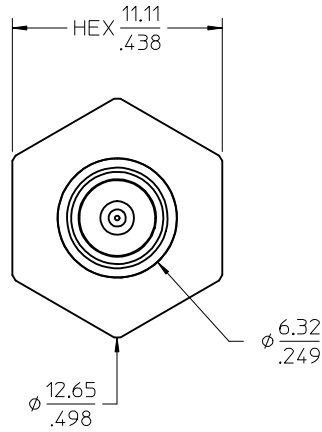
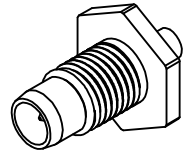
BODY, JAM NUT: STAINLESS STEEL
PLATED GOLD

CONTACT: BERYLLIUM COPPER
PLATED GOLD

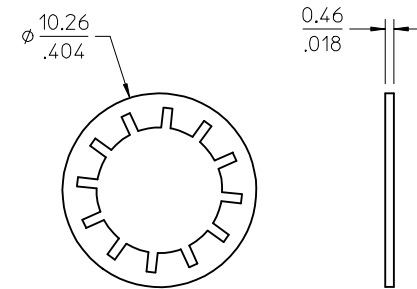
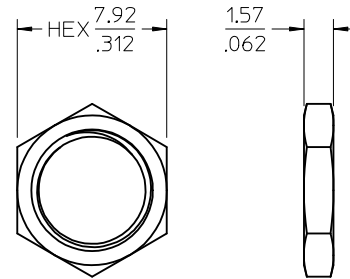
INSULATOR: TEFLON

O-RING: SILICONE RUBBER

LOCKWASHER: STAINLESS STEEL
PLATED GOLD



RECOMMENDED
PANEL CUTOUT



73298-0070	BAG
PART NO.	PACKAGING

PS-89675-1840	PRODUCT SPECIFICATIO
MIL-STD-348A, FIG.321.1	INTERFACE
SPECIFICATION	DESCRIPTION

CHG: ADD PACKAGING FOR 73298-0070 PER RF15-E220 EC NO: URF2015-0668 DRWR:YEH CHKD: APPR:YCHENG 2015/05/27 2015/05/29	QUALITY SYMBOLS	DESCRIPTION
	▽=0	DESCRIPTION
	▽=0	DESCRIPTION
	▽=0	DESCRIPTION
A1	REV	DESCRIPTION

GENERAL TOLERANCES (UNLESS SPECIFIED)	
	mm INCH
4 PLACES	± .005 ± .0002
3 PLACES	± .005 ± .0002
2 PLACES	± .005 ± .0002
1 PLACE	± .005 ± .0002
0 PLACE	± .005 ± .0002
ANGULAR ± 2 °	
DRAFT WHERE APPLICABLE MUST REMAIN WITHIN DIMENSIONS	

DIMENSION STYLE	
MM/IN	
DRAWN BY	DATE
JM	2006/08/09
CHECKED BY	DATE
JM	2006/08/09
APPROVED BY	DATE
JWIENER	2011/09/28
MATERIAL NO.	
SEE TABLE	
SIZE	C

SCALE	DESIGN UNITS	THIRD ANGLE PROJECTION
5:1	INCH	☉
TITLE		
BMA PLUG STR BLKHD RM FOR 086 CABLE EWR-3175, BMA-PC		
molex		
DOCUMENT NO.	SHEET NO.	
SD-73298-007	1 OF 1	
THIS DRAWING CONTAINS INFORMATION THAT IS PROPRIETARY TO MOLEX INCORPORATED AND SHOULD NOT BE USED WITHOUT WRITTEN PERMISSION		