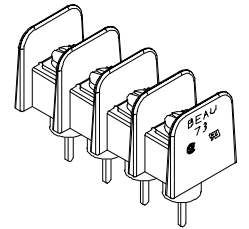
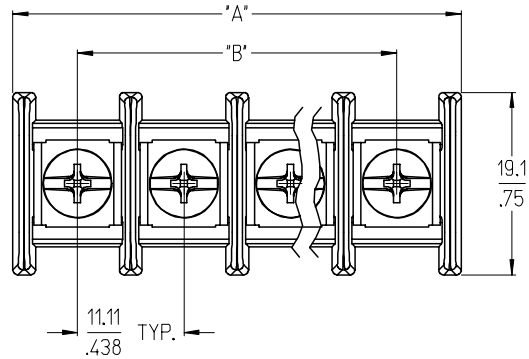
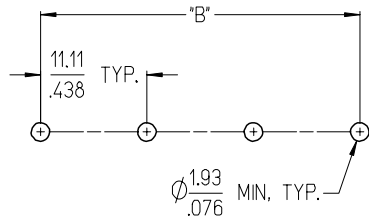


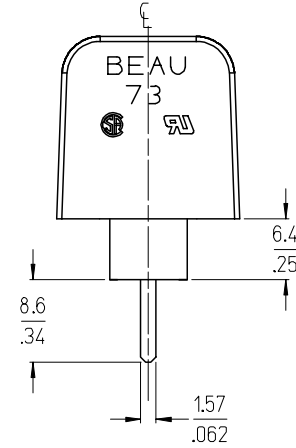
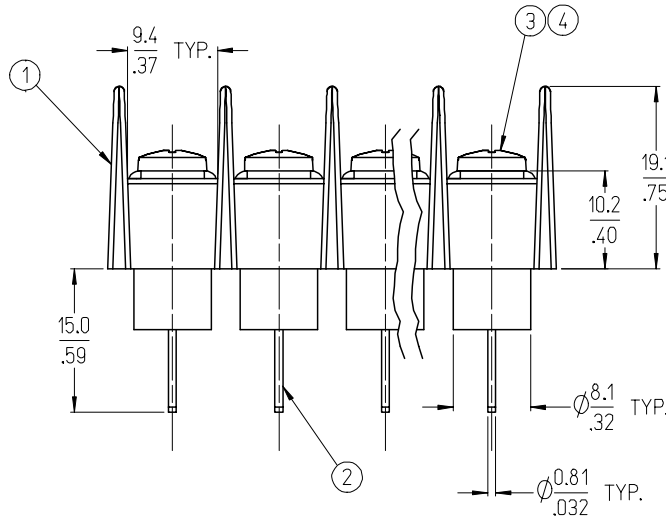
REF. -50 OPT. SCREW  
(WHERE APPLICABLE)



AUX. VIEW  
SCALE 1:1  
(4 CIRCUIT SHOWN)



RECOMMENDED PCB LAYOUT



NOTES:

1. MATERIAL: SEE TABLE
2. FINISHES: SEE TABLE
3. 'XX' REFERS TO QUANTITY OF CIRCUITS.
4. ASSEMBLY IS ROHS COMPLIANT.

| ITEM | QTY. | DESCRIPTION  | MATERIAL      | FINISH             |
|------|------|--|---------------|--------------------|
| 5    | XX   | SCREW, #6-32X.250 PAN PH-SL W/SQ WASHER (-50 OPT)      | STEEL         | ZN, CLEAR CHROMATE |
| 4    | XX   | SCREW, #6-32 X.250 BINDING HEAD PHIL-SLOT (-49 OPT)    | BRASS         | NICKEL PLATE       |
| 3    | XX   | SCREW, #6-32 X.250 BINDING HEAD PHIL-SLOT (STD. SCREW) | STEEL         | ZN, CLEAR CHROMATE |
| 2    | XX   | TERMINAL, STYLE 3, WW                                  | BRASS         | TIN PLATE          |
| 1    | 1    | INSULATOR, NO MTG, INSUL. BASE                         | PBT, UL 94V-0 | BLACK              |

|   |                               |
|---|-------------------------------|
| INITIAL RELEASE<br>EC NO: ETC2008-0034<br>DRWN: CLYORK 2007/08/12<br>CHKD: JMACNEIL 2007/09/12<br>APPR: JMACNEIL 2007/09/13 | QUALITY SYMBOLS<br>▽=0<br>▽=0 |
|---|-------------------------------|

| GENERAL TOLERANCES (UNLESS SPECIFIED)                   |        |
|---|--------|
| mm  | INCH   |
| 4 PLACES ± ---  | ± ---  |
| 3 PLACES ± ---  | ± .005 |
| 2 PLACES ± 0.13   | ± .01  |
| 1 PLACE ± 0.3   | ± ---  |
| ANGULAR ± 2 °   |        |
| DRAFT WHERE APPLICABLE<br>MUST REMAIN WITHIN DIMENSIONS |        |

| DIMENSION STYLE |            |
|-----------------|------------|
| MM/IN           |            |
| DRAWN BY        | DATE       |
| C. YORK         | 2007/08/15 |
| CHECKED BY      | DATE       |
| J. MACNEIL      | 2007/08/15 |
| APPROVED BY     | DATE       |
| J. MACNEIL      | 2007/08/15 |
| MATERIAL NO.    | SEE SHT. 2 |

|              |     |  |      |                        |
|--------------|-----|--|------|------------------------|
| SCALE        | 2:1 | DESIGN UNITS                               | INCH | THIRD ANGLE PROJECTION |
| TITLE        |     | 11.11/.438 SR BTS ASY,<br>INSUL PC, NO MTG |      |                        |
| MATERIAL NO. |     | MOLEX INCORPORATED                         |      |                        |
| DOCUMENT NO. |     | SD-38730-004                               |      |                        |
| SHEET NO.    |     | 1 OF 2                                     |      |                        |

| # OF CIRCUITS "XX" | DIM. "A" |       | DIM. "B" |        | ASSEMBLY MATERIAL NO. (-C OPT) | ASSEMBLY MATERIAL NO. (-C-49 OPT) | ASSEMBLY MATERIAL NO. (-C-50 OPT) |
|--------------------|----------|-------|----------|--------|--------------------------------|-----------------------------------|-----------------------------------|
|                    | mm       | in    | mm       | in     |                                |                                   |                                   |
| 02                 | 24.5     | .97   | 11.11    | .438   | 387304802                      | 387305102                         | 387305402                         |
| 03                 | 35.7     | 1.40  | 22.23    | .875   | 387304803                      | 387305103                         | 387305403                         |
| 04                 | 46.8     | 1.84  | 33.34    | 1.313  | 387304804                      | 387305104                         | 387305404                         |
| 05                 | 57.9     | 2.28  | 44.45    | 1.750  | 387304805                      | 387305105                         | 387305405                         |
| 06                 | 69.0     | 2.72  | 55.56    | 2.188  | 387304806                      | 387305106                         | 387305406                         |
| 07                 | 80.1     | 3.15  | 66.68    | 2.625  | 387304807                      | 387305107                         | 387305407                         |
| 08                 | 91.2     | 3.59  | 77.79    | 3.063  | 387304808                      | 387305108                         | 387305408                         |
| 09                 | 102.3    | 4.03  | 88.90    | 3.500  | 387304809                      | 387305109                         | 387305409                         |
| 10                 | 113.4    | 4.47  | 100.01   | 3.938  | 387304810                      | 387305110                         | 387305410                         |
| 11                 | 124.6    | 4.90  | 111.13   | 4.375  | 387304811                      | 387305111                         | 387305411                         |
| 12                 | 135.7    | 5.34  | 122.24   | 4.813  | 387304812                      | 387305112                         | 387305412                         |
| 13                 | 146.8    | 5.78  | 133.35   | 5.250  | 387304813                      | 387305113                         | 387305413                         |
| 14                 | 157.9    | 6.22  | 144.46   | 5.688  | 387304814                      | 387305114                         | 387305414                         |
| 15                 | 169.0    | 6.65  | 155.58   | 6.125  | 387304815                      | 387305115                         | 387305415                         |
| 16                 | 180.1    | 7.09  | 166.69   | 6.563  | 387304816                      | 387305116                         | 387305416                         |
| 17                 | 191.2    | 7.53  | 177.80   | 7.000  | 387304817                      | 387305117                         | 387305417                         |
| 18                 | 202.3    | 7.97  | 188.91   | 7.438  | 387304818                      | 387305118                         | 387305418                         |
| 19                 | 213.5    | 8.40  | 200.03   | 7.875  | 387304819                      | 387305119                         | 387305419                         |
| 20                 | 224.6    | 8.84  | 211.14   | 8.313  | 387304820                      | 387305120                         | 387305420                         |
| 21                 | 235.7    | 9.28  | 222.25   | 8.750  | 387304821                      | 387305121                         | 387305421                         |
| 22                 | 246.8    | 9.72  | 233.36   | 9.188  | 387304822                      | 387305122                         | 387305422                         |
| 23                 | 257.9    | 10.15 | 244.48   | 9.625  | 387304823                      | 387305123                         | 387305423                         |
| 24                 | 269.0    | 10.59 | 255.59   | 10.063 | 387304824                      | 387305124                         | 387305424                         |
| 25                 | 280.1    | 11.03 | 266.70   | 10.500 | 387304825                      | 387305125                         | 387305425                         |
| 26                 | 291.2    | 11.47 | 277.81   | 10.938 | 387304826                      | 387305126                         | 387305426                         |
| 27                 | 302.4    | 11.90 | 288.93   | 11.375 | 387304827                      | 387305127                         | 387305427                         |
| 28                 | 313.5    | 12.34 | 300.04   | 11.813 | 387304828                      | 387305128                         | 387305428                         |
| 29                 | 324.6    | 12.78 | 311.15   | 12.250 | 387304829                      | 387305129                         | 387305429                         |
| 30                 | 335.7    | 13.22 | 322.26   | 12.688 | 387304830                      | 387305130                         | 387305430                         |

|  |                  |  |  |  |  |   |
|--|------------------|--|--|--|--|---|
| SEE SHEET 1<br>EC NO: ETC2008-0034<br>DRWN: C. YORK 2007/08/12<br>CHKD: J. MACNEIL 2007/09/12<br>APPR: J. MACNEIL 2007/09/13 | DESCRIPTION<br>A | QUALITY SYMBOLS<br>▽=0<br>▽=0                              | GENERAL TOLERANCES (UNLESS SPECIFIED)<br>mm INCH<br>4 PLACES ± --- ± ---<br>3 PLACES ± --- ± .005<br>2 PLACES ± 0.13 ± .01<br>1 PLACE ± 0.3 ± ---<br>ANGULAR ± 2 ° | DIMENSION STYLE<br>MM/IN<br>DRAWN BY DATE<br>C. YORK 2007/08/15<br>CHECKED BY DATE<br>J. MACNEIL 2007/08/15<br>APPROVED BY DATE<br>J. MACNEIL 2007/08/15 | SCALE<br>2:1<br>DESIGN UNITS<br>INCH<br>THIRD ANGLE PROJECTION | TITLE<br>11.11/.438 SR BTS ASY,<br>INSUL PC, NO MTG |
|  |                  | DRAFT WHERE APPLICABLE<br>MUST REMAIN<br>WITHIN DIMENSIONS | MATERIAL NO.<br>SEE CHART  | MOLEX INCORPORATED<br>DOCUMENT NO.<br>SD-38730-004   | SHEET NO.<br>2 OF 2  |   |
|  |                  | SIZE<br>B  | THIS DRAWING CONTAINS INFORMATION THAT IS PROPRIETARY TO MOLEX INCORPORATED AND SHOULD NOT BE USED WITHOUT WRITTEN PERMISSION                                      |  |  |   |
|  |                  |  |  |  |  |   |