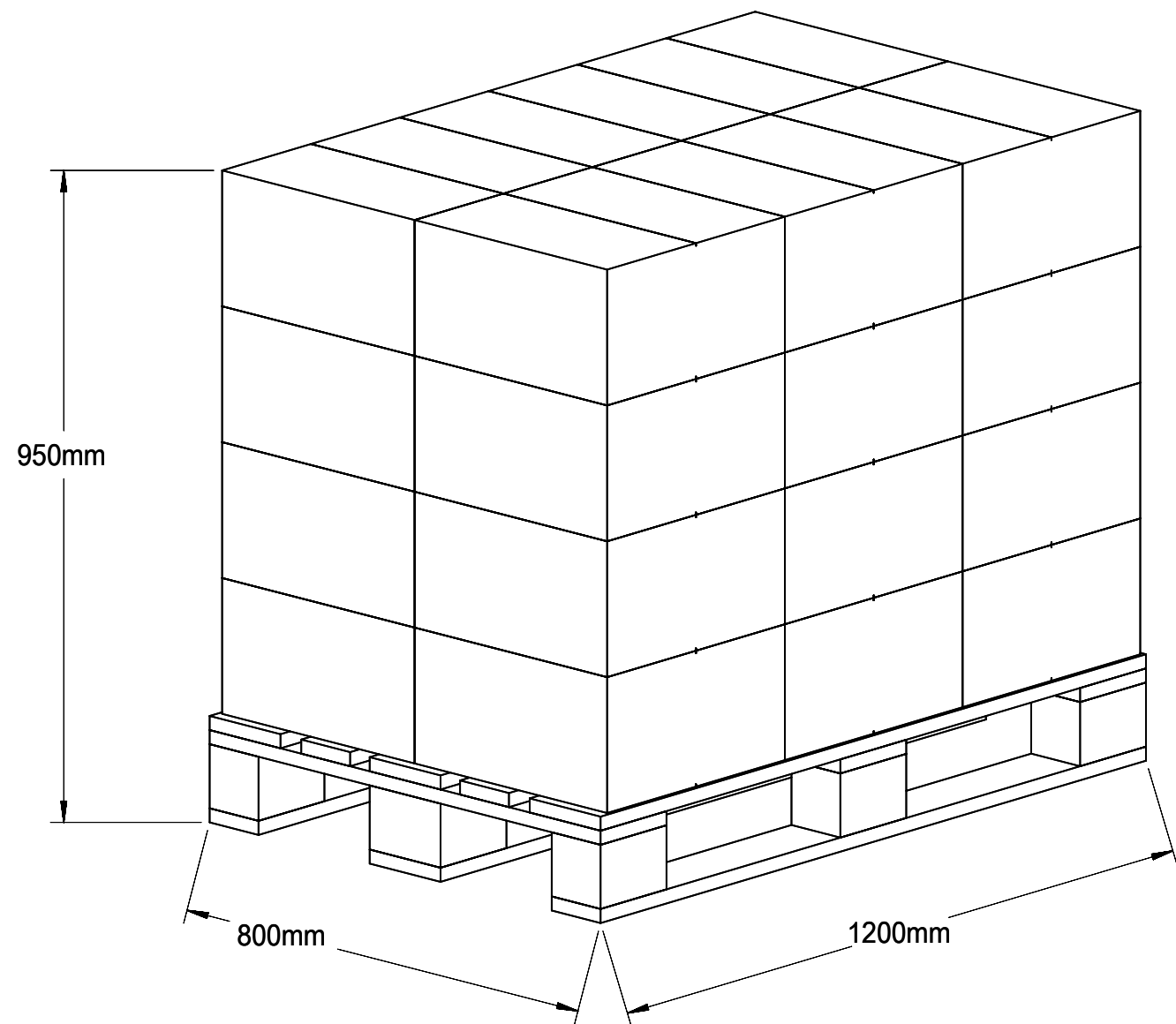


NOTES:

1. FOLD AND TAPE THE BOTTOM FLAPS OF THE CARTON.
2. FOLD AND INSERT TWO TUBE ASSEMBLIES INTO THE CARTON AS SHOWN.
3. PLACE ONE BAG INTO EACH TUBE AND FILL THE BAGS PER THE TABLE WITH APPROXIMATELY THE SAME QUANTITY IN EACH BAG.
4. FOLD OVER THE TOPS OF THE BAGS, THEN FOLD AND TAPE THE TOP FLAPS OF THE CARTON.
5. LABEL AND PALLETIZE IN UP TO 4 LAYERS OF 6 CARTONS AS SHOWN  
ALL CARTONS MUST BE AT LEAST 6mm FROM THE EDGES OF THE PALLET.
6. UNITIZE PER E-47799-150.
7. STANDARD PACKAGE QUANTITY (SPQ): PER THE TABLE



TABLE

MAT'L #	DESCRIPTION	CARTON #	TUBE ASSY #	BAG #	SPQ
03489920**	1.2MM SEALED 2CK BLADE ASSY	0477991015	0477994003	0477995010	1800
03489925**	1.2MM SEALED 2CK BLADE ASSY	0477991015	0477994003	0477995010	1800TBD
03489930**	1.2MM SEALED 3CK BLADE ASSY	0477991015	0477994003	0477995010	1400
03489931**	1.2MM SEALED 3CK BLADE ASSY	0477991015	0477994003	0477995010	1400TBD
03489935**	1.2MM SEALED 3CK BLADE ASSY	0477991015	0477994003	0477995010	1400TBD
03489936**	1.2MM SEALED 3CK BLADE ASSY	0477991015	0477994003	0477995010	1400TBD
03489940**	1.2MM SEALED 4CK BLADE ASSY	0477991015	0477994003	0477995010	1120
03489945**	1.2MM SEALED 4CK BLADE ASSY	0477991015	0477994003	0477995010	1120TBD
03489960**	1.2MM SEALED 6CK BLADE ASSY	0477991015	0477994003	0477995010	840
03489961**	1.2MM SEALED 6CK BLADE ASSY	0477991015	0477994003	0477995010	840TBD
03489965**	1.2MM SEALED 6CK BLADE ASSY	0477991015	0477994003	0477995010	840TBD
03489966**	1.2MM SEALED 6CK BLADE ASSY	0477991015	0477994003	0477995010	840TBD
03490020**	1.2MM SEALED 2CK RCPT ASSY	0477991015	0477994003	0477995010	3000
03490021**	1.2MM SEALED 2CK RCPT ASSY	0477991015	0477994003	0477995010	3000
03490022**					
03490031**	1.2MM SEALED 3CK RCPT ASSY	0477991015	0477994003	0477995010	2200
03490032**					
03490041**	1.2MM SEALED 4CK RCPT ASSY	0477991015	0477994003	0477995010	1400
03490060**	1.2MM SEALED 6CK RCPT ASSY	0477991015	0477994003	0477995010	1120
03490061**	1.2MM SEALED 6CK RCPT ASSY	0477991015	0477994003	0477995010	1120
034967200*	1x2 MINI50 SEALED RCPT	0477991015	0477994003	0477995010	3000
034967400*	1x4 MINI50 SEALED RCPT	0477991015	0477994003	0477995010	2400
034967100*	1x10 MINI50 SEALED RCPT	0477991015	0477994003	0477995010	900
03496711**					
0349671010	1x10 MINNI50 BACKSHELL	0477991015	0477994003	0477995010	600
0348550906	12 CKT HS AUTOLINK SEAL PLUG	0477991015	0477994003	0477995010	500TBD
0348550916					
0348595606	12 CKT HS AUTOLINK HSNB	0477991015	0477994003	0477995010	2500
0348595616					
2029285616					
0348595626	PLUG CONN HOUSING POL C	0477991015	0477994003	0477995010	2500
0348596000	12 CKT HS AUTOLINK CPA	0477991015	0477994003	0477995010	10,500
0348605606	12 CKT HS AUTOLINK C-SLOT	0477991015	0477994003	0477995010	680
0348605616					
2004220906	NEW DUMMY PLUG	0477991015	0477994003	0477995010	500
0349502011	BACKSHELL BLD 2X10 BLK W/ RIBS	0477991015	0477994003	0477995010	180
349671071	MINI50 CONN RCPT SLD 1X10 CPA BLK	0477991015	0477994003	0477995010	900
349674021	MINI50 CONN RCPT SLD 1X4 CPA BLK	0477991015	0477994003	0477995010	2400
349674025	MINI50 CONN RCPT SLD 1X4 BLK	0477991015	0477994003	0477995010	2400
349590383,4,5	MINI50 CONN RCPT 38CKT CPA	0477991015	0477994003	0477995010	280
349590390,1,2	MINI50 CONN RCPT 38CKT	0477991015	0477994003	0477995010	280
348941001,2,3,4	MINI50 SEALED, 2X10 RCPT	0477991015	0477994003	0477995010	1500
348941005,6,7,8	MINI50 SEALED, 2X10 RCPT	0477991015	0477994003	0477995010	1000
348943001,2,3,4	MINI50 SEALED, 2X3 RCPT ASSY	0477991015	0477994003	0477995010	2400

QUALITY SYMBOLS	THIS DRAWING CONTAINS INFORMATION THAT IS PROPRIETARY TO MOLEX ELECTRONIC TECHNOLOGIES, LLC AND SHOULD NOT BE USED WITHOUT WRITTEN PERMISSION		GENERAL TOLERANCES (UNLESS SPECIFIED)		DIMENSION UNITS		SCALE			
▽ = 0 ▽ = 0 ▽ = 0 ▽ = 0 ▽ = 0 ▽ = 0 ▽ = 0 ▽ = 0 ▽ = 0 ▽ = 0 ▽ = 0	EC NO: 673684 DRWN: XBRAN CHKD: BYANG05 REV: APPR: AFAUST	2021/07/28 2021/08/13 2021/08/16	mm 1:1	DRWN BY: PPHELPS DATE: 2012/04/24	CHKD BY: BYANG05 DATE: 2017/08/21	APPR BY: JNORTHRO DATE: 2012/12/12	DRAWING SIZE: C THIRD ANGLE PROJECTION	SERIES: 31300 MATERIAL NUMBER: PK-31301-898 CUSTOMER: GENERAL MARKET		
RELEASE STATUS: P1		RELEASE DATE: 2021/08/16 21:09:23		4 PLACES ± 3 PLACES ± 2 PLACES ± 0.13 1 PLACE ± 0.25 0 PLACES ±		DRAFT WHERE APPLICABLE MUST REMAIN WITHIN DIMENSIONS		DOCUMENT NUMBER: PK-31301-898 PDD: 001 SHEET NUMBER: 1 OF 2		

