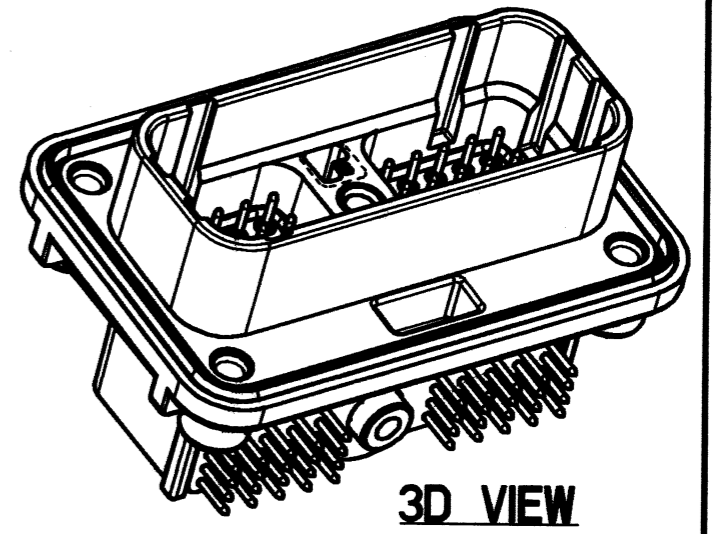
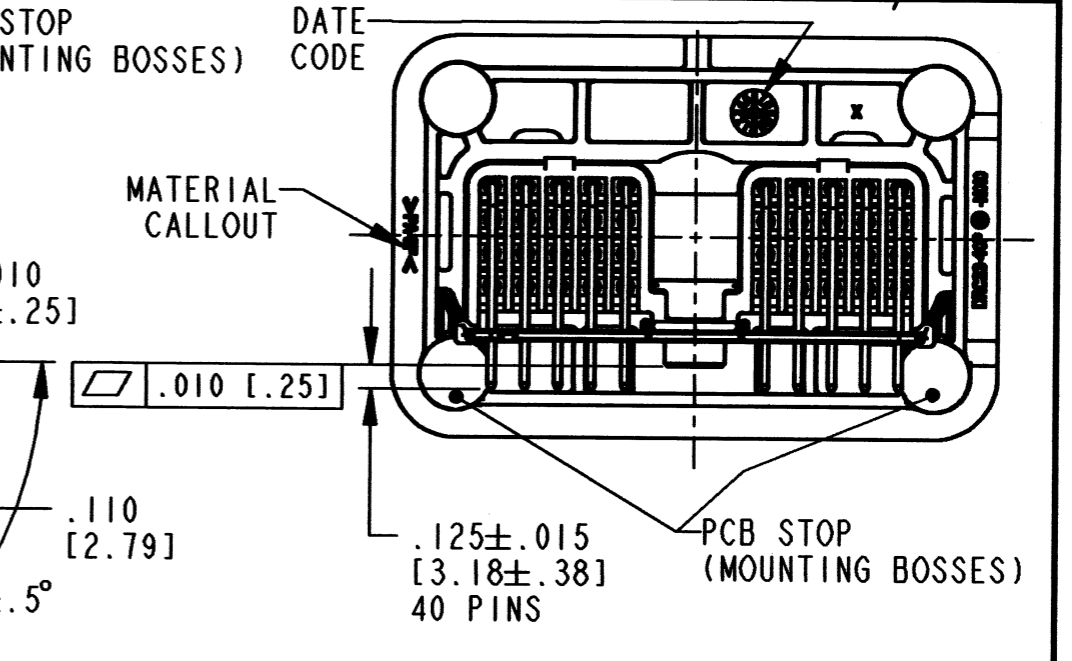


REVISIONS			
SYM	DESCRIPTION	DATE	APPROVED
B	REDESIGNED/REDRAWN PER E.O. PI6933	11-17-00	C. W.
C	REVISED PER E.O. PI7061	1-4-01	C. W.
D	REVISED PER E.O. PI7266	6-1-01	C. W.
E	REVISED PER E.O. P20691	11-11-10	ADR



- CONNECTOR TO BE MOUNTED USING THREAD FORMING SCREWS. EXAMPLE OF MOUNTING SCREW FLANGE: #8 X 16: 15-20 IN-LB [1.69-2.26 NM] EXAMPLE OF MOUNTING SCREW PCB: M4 X 1.75 OR #7 X 18: 10-15 IN-LB [1.13-1.69 NM]
- RECEPTACLE MATES WITH: DRC26-40SB
- CONTACT PLATING: ENGAGEMENT END - GOLD PLATED P.C.B. END - TIN PLATED
- RECEPTACLE IS SUPPLIED WITH DUST CAP (NOT SHOWN).

NOTES:
2. ALL DIMENSIONS UNLESS OTHERWISE SPECIFIED HAVE A TOLERANCE OF ±.025 [0.64].
1. ALL DIMENSIONS ARE IN INCHES [METRIC].

SIGNATURE & DATE	
DR	WOODRUFF JAN-4-01
CHK	<i>Paula M. Law</i> 11/10/10
PE	<i>Paula M. Law</i> 11/10/10
APPD	<i>D. Meyer</i> 11/11/10
SCALE	NONE
WT	

CUSTOM MOUNT 40 PIN
DRC23-40P KEY -B-
MOD -N010
DRC SERIES
ENVELOPE

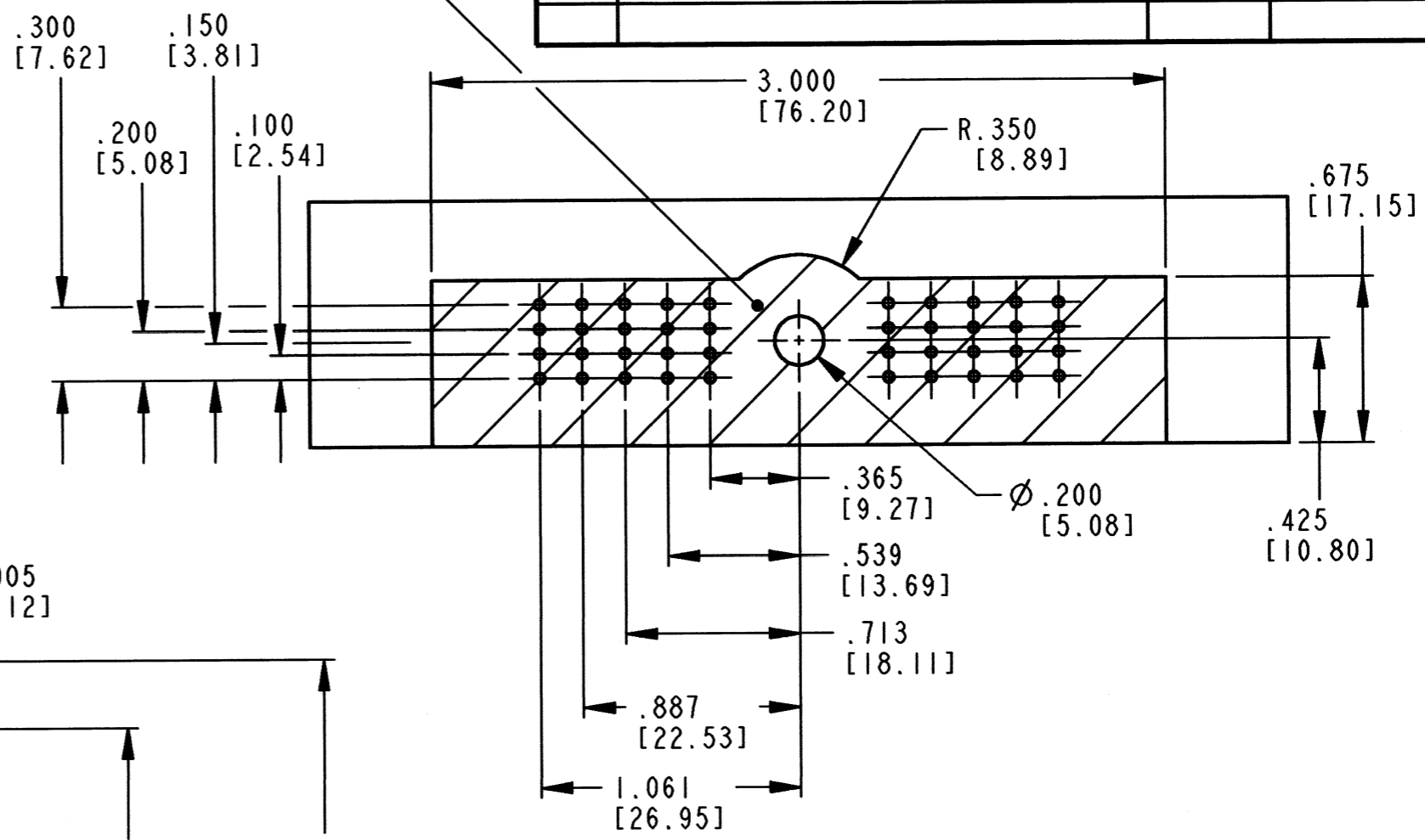
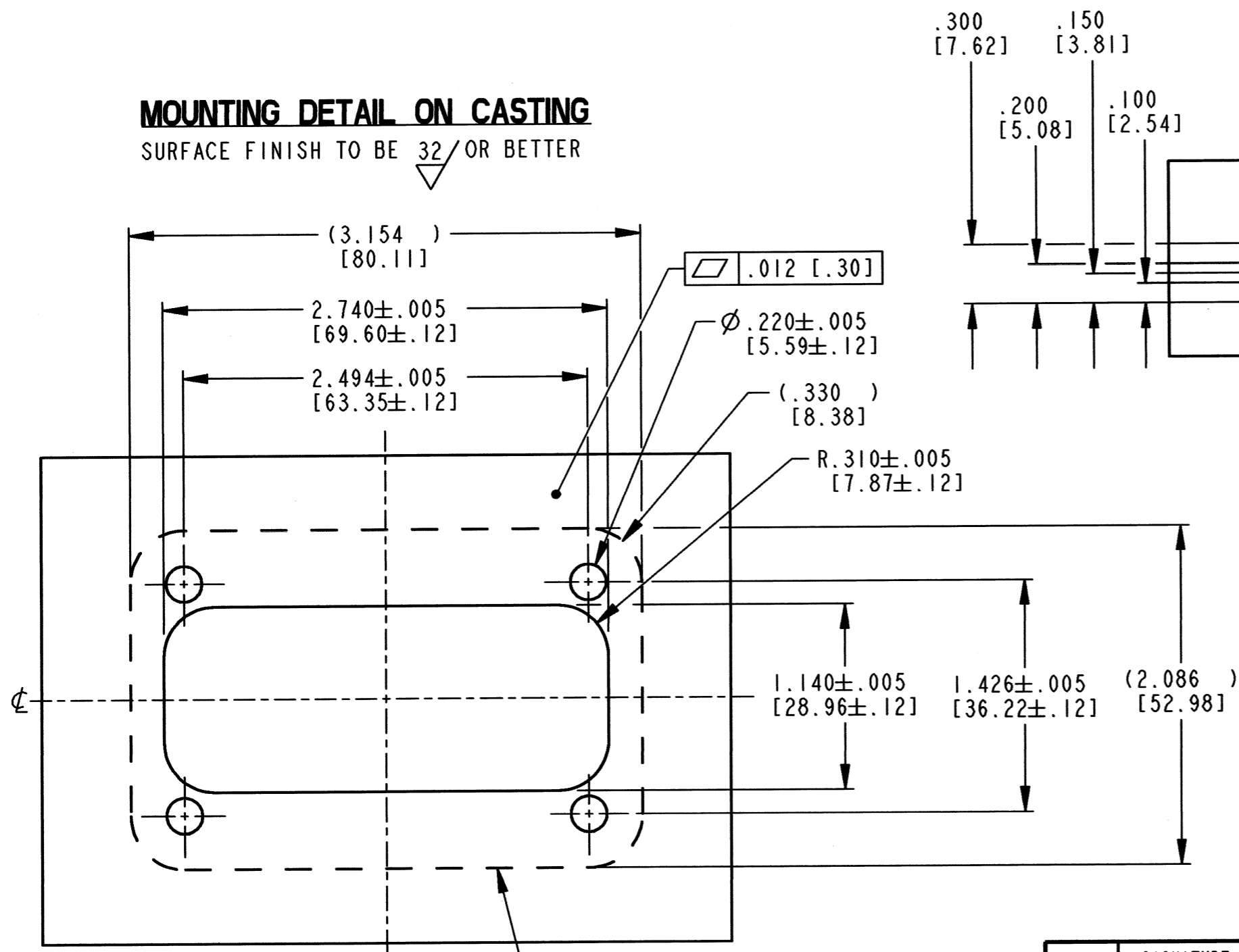
EP	MATL. CODE
3850 INDUSTRIAL AVE. HEMET, CA 92545	
DEUTSCH INDUSTRIAL	
B DRC23-40PB-N010	
DWG SIZE	SHEET 1 OF 2
CODE 11139	

REV
E
DRC23-40PB-N010

REVISIONS			
SYM	DESCRIPTION	DATE	APPROVED
E	SEE SHEET 1	11-11-10	RDR

REGION ON PCB RESERVED FOR MOUNTING OF DRC CONNECTOR (KEEP CLEAR AREA)

MOUNTING DETAIL ON CASTING
SURFACE FINISH TO BE 32/ OR BETTER



TOP VIEW OF PCB LAYOUT
ALL DIMENSIONS ARE FOR REFERENCE ONLY


NOTES:

DRC23-40PB-N010
FLANGE OUTLINE

SIGNATURE & DATE	
DR	WOODRUFF JAN-4-01
CHK	<i>Paul M. Law</i> 11/10/10
PE	<i>Paul M. Law</i> 11/10/10
APPD	<i>D. Meyer</i> 11/11/10
SCALE	NONE

CUSTOM MOUNT 40 PIN
DRC23-40P KEY -B-
MOD -N010
DRC SERIES

ENVELOPE

EP	MATL. CODE
 3850 INDUSTRIAL AVE. HEMET, CA 92545	
B DRC23-40PB-N010	
DWG SIZE	CODE 11139 SHEET 2 OF 2