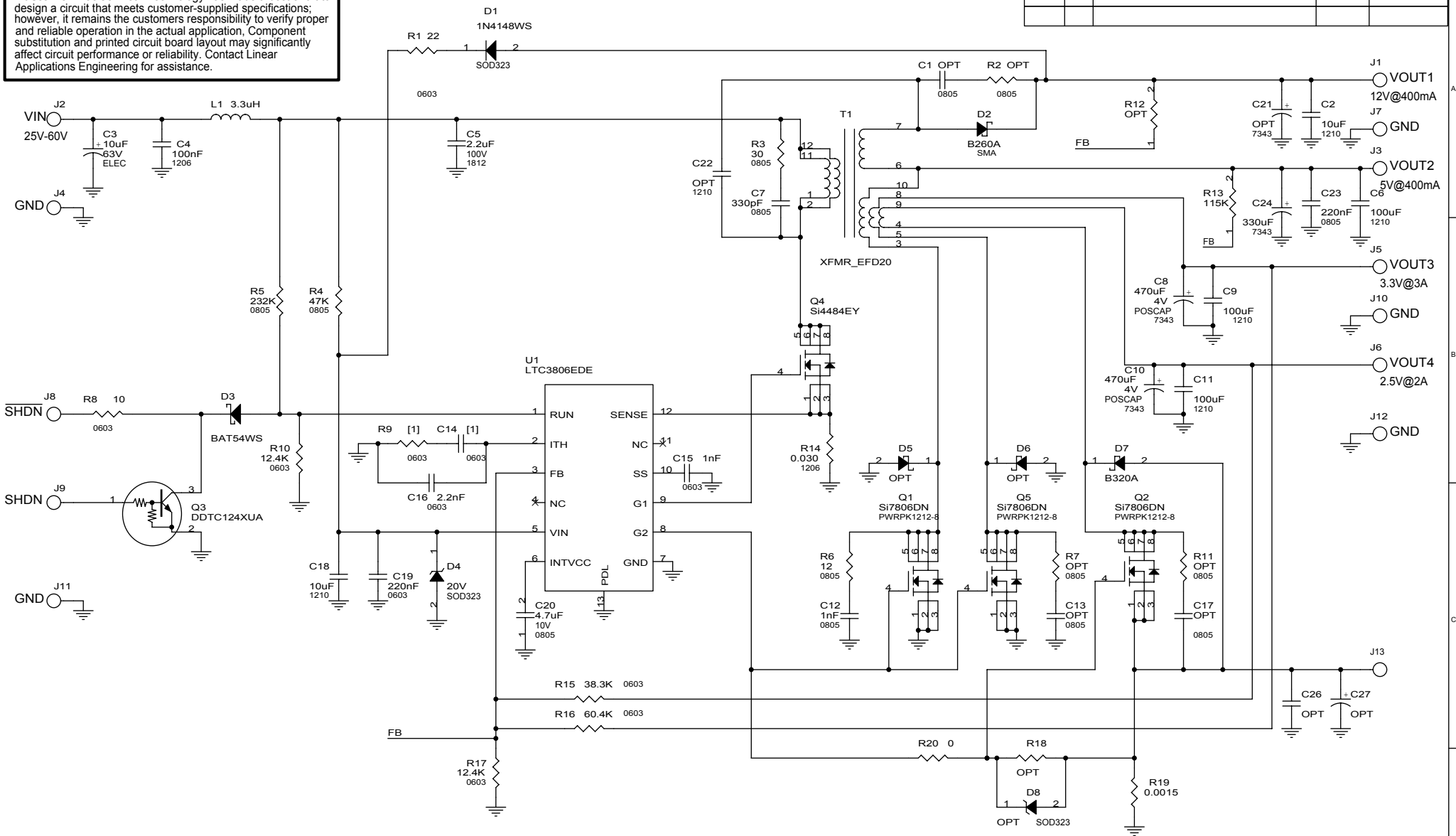


This circuit is proprietary to Linear Technology and supplied for use with Linear Technology parts.
Customer Notice: Linear Technology has made a best effort to design a circuit that meets customer-supplied specifications; however, it remains the customers responsibility to verify proper and reliable operation in the actual application. Component substitution and printed circuit board layout may significantly affect circuit performance or reliability. Contact Linear Applications Engineering for assistance.

REVISION HISTORY				
ECO	REV	DESCRIPTION	DATE	APPROVED
	3	PROTO	05/14/03	



NOTES: UNLESS OTHERWISE SPECIFIED,
 [1] DO NOT STUFF.

UNLESS OTHERWISE SPECIFIED DIMENSIONS ARE IN INCHES TOLERANCE ON ANGLE --- 2 PLACES --- 3 PLACES --- INTERPRET DIM AND TOL PER ASME Y14.5M-1994	CONTRACT NO.		1630 McCarthy Blvd. Milpitas, CA 95035 Phone: (408)432-1900 Fax: (408)434-0507
	APPROVALS	DATE	
	CHECKED		
	APPROVED		
THIRD ANGLE PROJECTION	DESIGNER		TITLE SCH, LTC3806EDE, SYNCHRONOUS FLYBACK REGULATOR, 4 OUTPUT
DO NOT SCALE DRAWING	Wednesday, January 28, 2004	SCALE NONE	FILENAME: 659A-3.DSN SHEET 1 OF 1