

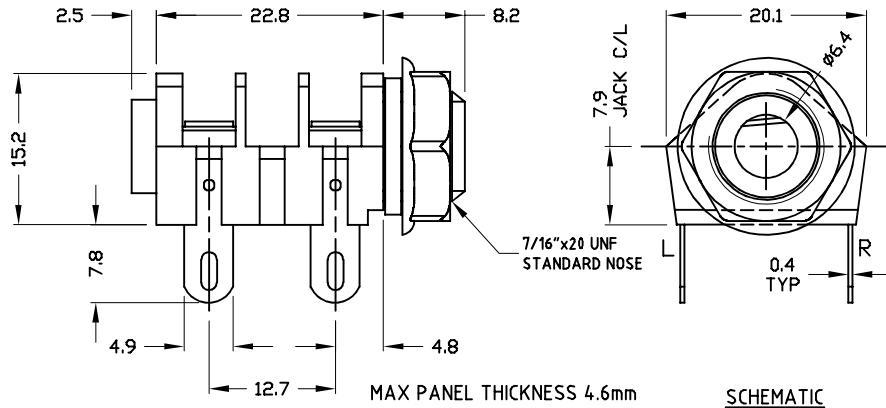
# CLIFF

## GOLD SWITCHED JACK SOCKETS

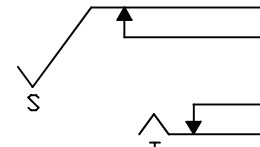
### 6.35mm JACK SOCKET



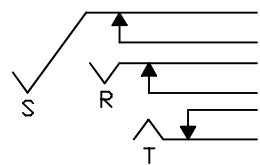
**CL11607A**



**SCHMATIC**



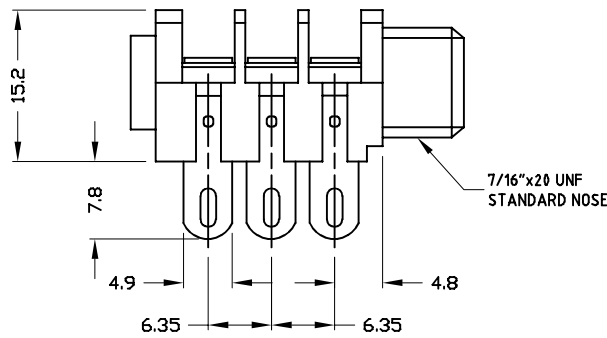
**MONO (BNB) JACK**  
SWITCH CONTACTS OPEN WHEN PLUG IS INSERTED + CLOSE WHEN PLUG IS WITHDRAWN.



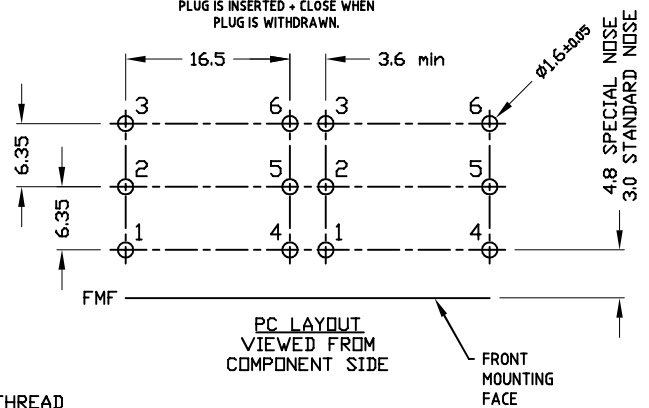
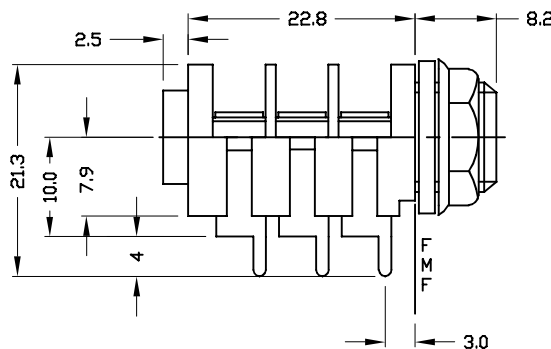
**STEREO (BBB) JACK**  
SWITCH CONTACTS OPEN WHEN PLUG IS INSERTED + CLOSE WHEN PLUG IS WITHDRAWN.



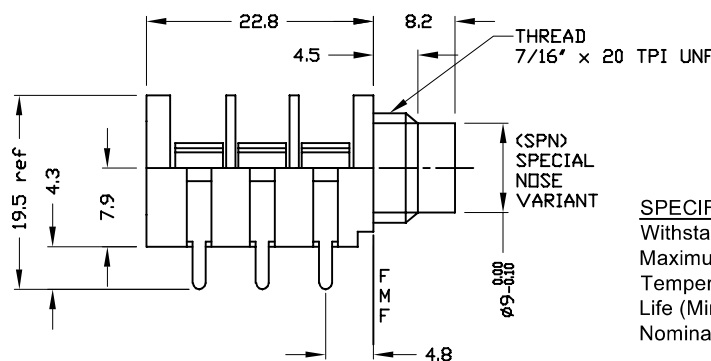
**CL12207A**



**CL12327A**



**CL12345**



**SPECIFICATION**

Withstand voltage:	2000V DC Min.
Maximum Current:	5A
Temperature Rating:	-10° C to +70° C
Life (Minimum):	10,000+ Operations
Nominal Contact Resistance:	<50mΩ

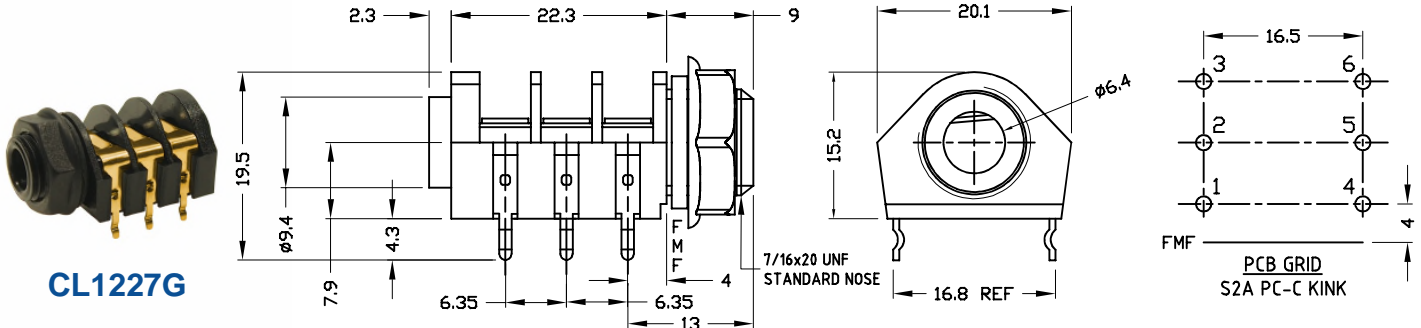
**DESCRIPTION**

- CL11607A** - Jack Socket Mono S2/BNB Solder Tag. Supplied assembled
- CL12207A** - Jack Socket Stereo S2/BBB Solder Tag. Supplied assembled
- CL12327A** - Jack Socket Stereo S2/BBB PC Tag Type A. Supplied assembled
- CL12345** - Jack Socket Stereo S2/BBB Special Nose PC Tag Type C. No nut or washers.

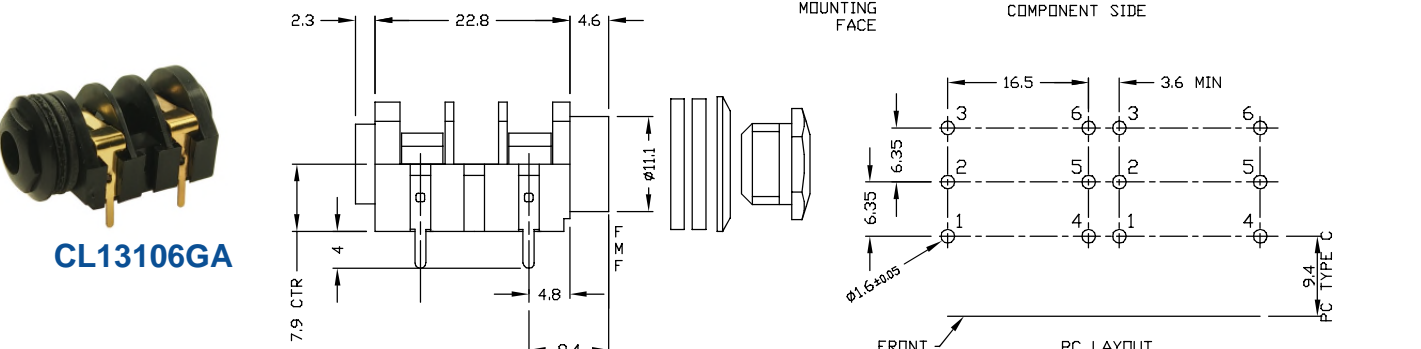
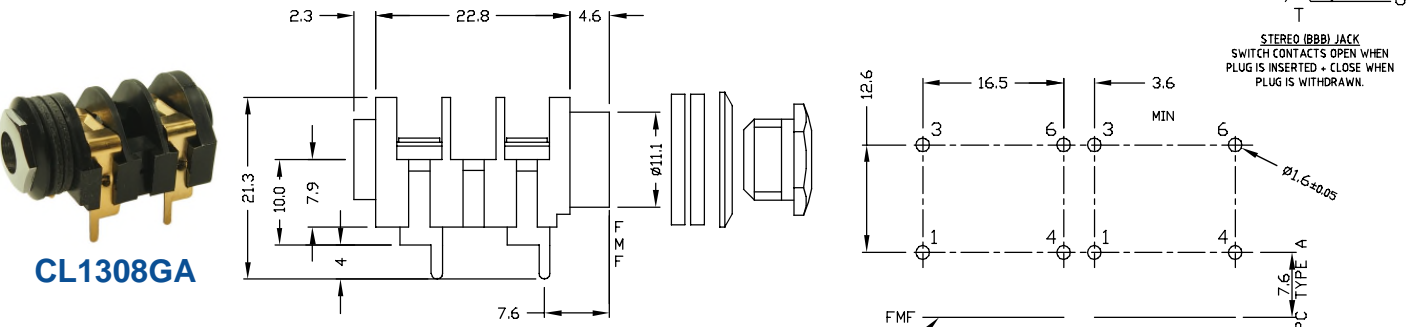
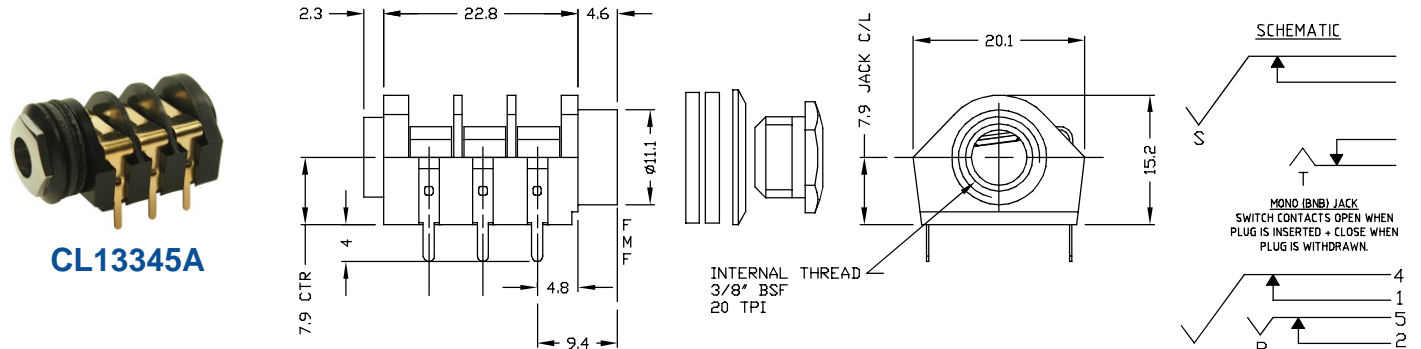
# CLIFF

## GOLD SWITCHED JACK SOCKETS

### 6.35mm JACK SOCKET



### 6.35mm JACK SOCKET



### DESCRIPTION

- CL1227G** - Jack Socket Stereo S2A/BBB PC tag type C Kinked
- CL13345A** - Jack Socket Stereo S4/BBB PC tag type C. Supplied assembled
- CL1308GA** - Jack Socket Mono S4/BNB PC tag type A. Supplied assembled
- CL13106GA** - Jack Socket Mono S4/BNB PC tag type C. Supplied assembled

# CLIFF

## GOLD SWITCHED JACK SOCKETS

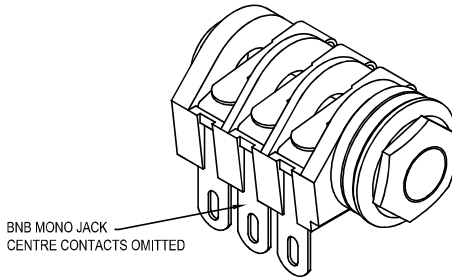
### 6.35mm JACK SOCKET



**CL1299A**

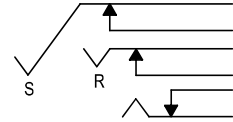


**CL1323A**

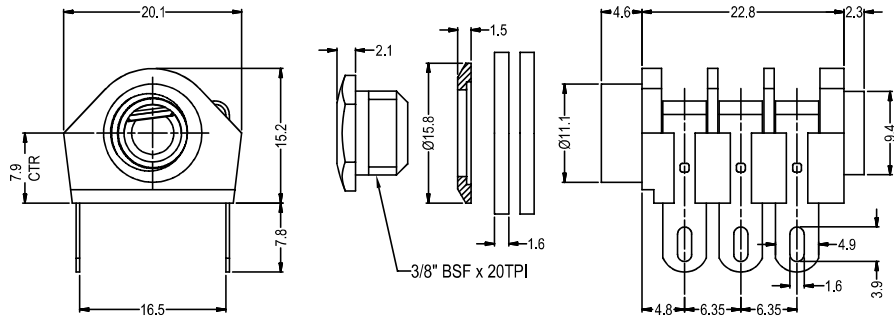


BNB MONO JACK  
CENTRE CONTACTS OMITTED

**SCHEMATIC**



SWITCH CONTACTS OPEN WHEN PLUG IS INSERTED, CLOSE WHEN PLUG IS WITHDRAWN.



#### DESCRIPTION

**CL1299A** - Jack Socket Mono S4/BNB Solder Tag. Supplied assembled

**CL1323A** - Jack Socket Stereo S4/BBB Solder Tag. Supplied assembled

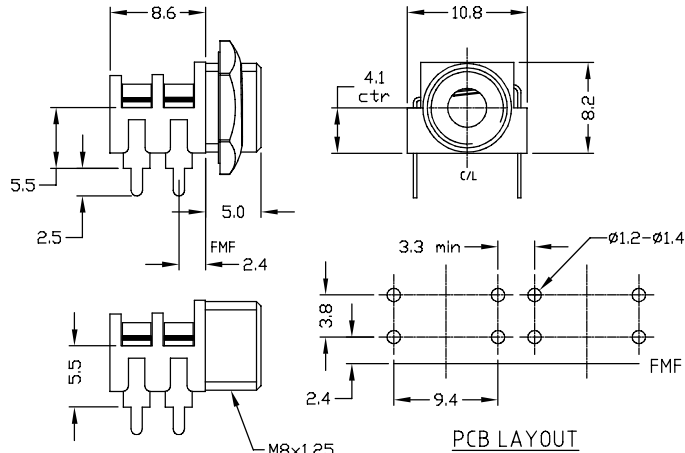
### 3.5mm JACK SOCKET



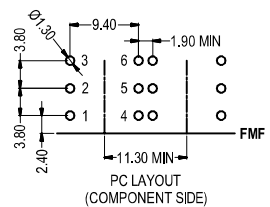
**CL13845GA**



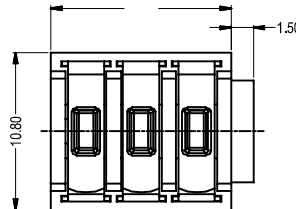
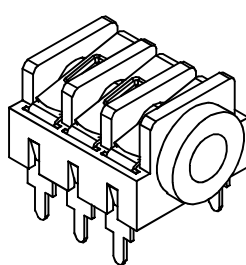
**CL13843G**



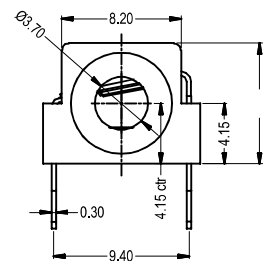
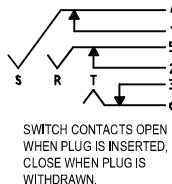
**PCB LAYOUT**



**FCR1295GA**



**SCHEMATIC**



#### SPECIFICATIONS

- WITHSTAND VOLTAGE: 2000V DC min
- MAXIMUM CURRENT: 5A
- TEMPERATURE RANGE: -10°C TO +70°C
- LIFE (MINIMUM): 5,000+ OPERATIONS
- CONTACT RESISTANCE <50mΩ

#### DESCRIPTION

**CL13845GA** - 3.5mm Jack Socket S6G/BB with nut. Supplied assembled

**CL13843G** - 3.5mm Jack Socket S6G/BB without nut

**CL1295GA** - 3.5mm Stereo Jack Socket S9/BBB with 6mm PCB legs. Supplied assembled



# GOLD SWITCHED JACK SOCKETS

## JACK SOCKET ACCESSORIES



**CL14218** - BLACK COMBINED NUT/BEZEL  
FOR S4 TYPE JACK SOCKET



**CL14218GY** - GREY COMBINED NUT/BEZEL  
FOR S4 TYPE JACK SOCKET



**CL14218R** - RED COMBINED NUT/BEZEL  
FOR S4 TYPE JACK SOCKET



**CL1396** - RECESS PLATE TO ALLOW  
FLUSH MOUNTING OF 6.35mm JACK SOCKETS

