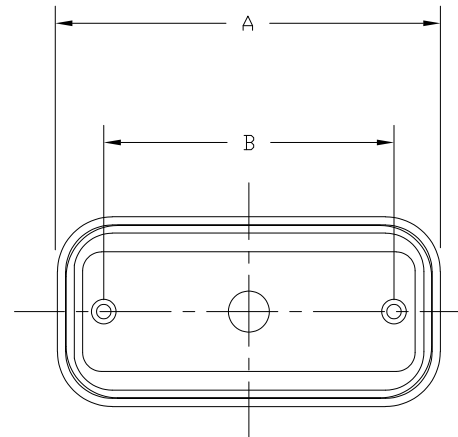
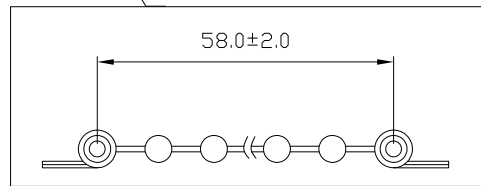
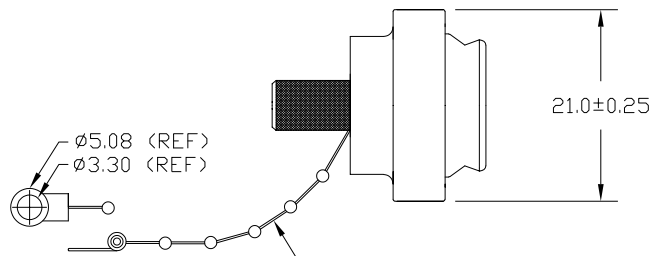
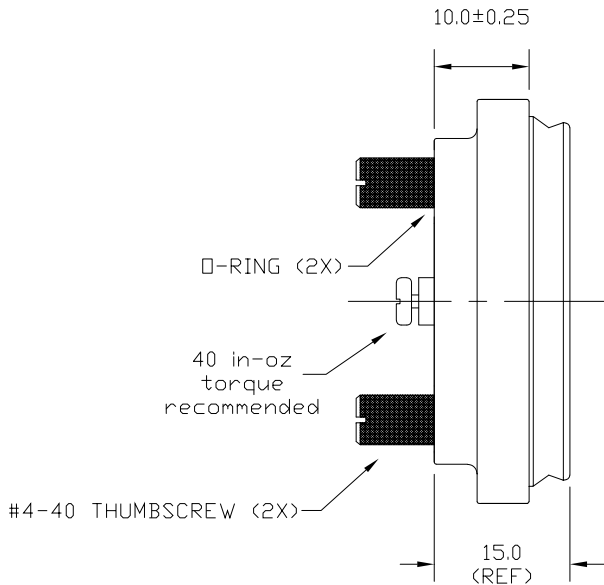


MATERIAL & FINISH:

BACKSHELL: ABS - UL HB RATED, BLACK COLOR
 BUSHING & BAFFLE: SILICONE
 THUMBSCREWS: BRASS, NICKEL PLATED
 ABS TEMPERATURE: -0°C TO 80°C
 SILICON TEMPERATURE: -35°C TO 116°C



DIMENSIONS(mm)		
SIZE	A±0.25	B±0.25
9	42.0	25.0
15	50.3	33.3
25	64.0	47.0
37	80.5	63.4

SERIES _____ **967-YYY-CAP**

POSITIONS _____

009 (ALSO FITS 15P HIGH DENSITY)
015 (ALSO FITS 26P HIGH DENSITY)
025 (ALSO FITS 44P HIGH DENSITY)
037 (ALSO FITS 62P HIGH DENSITY)

RoHS COMPLIANT



THESE DRAWINGS AND SPECIFICATIONS ARE THE PROPERTY OF NorComp AND SHALL NOT BE REPRODUCED, COPIED OR USED AS THE BASIS FOR THE MANUFACTURE OR SALE OF APPARATUS WITHOUT WRITTEN PERMISSION.

DRAWN:
P. JENKINS

DATE:
07/21/2011

UNITS = mm

DO NOT SCALE FROM DRAWING

NorComp

SCALE:
NTS

SHEET OF
1 1

REV
5

DWG NO.

967-YYY-CAP