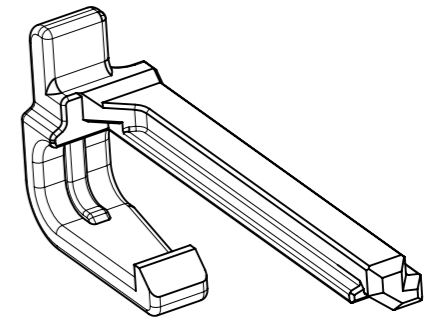
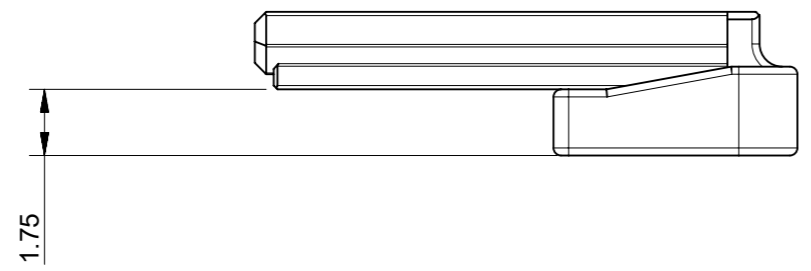
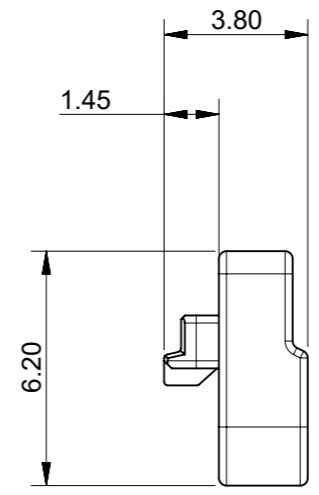
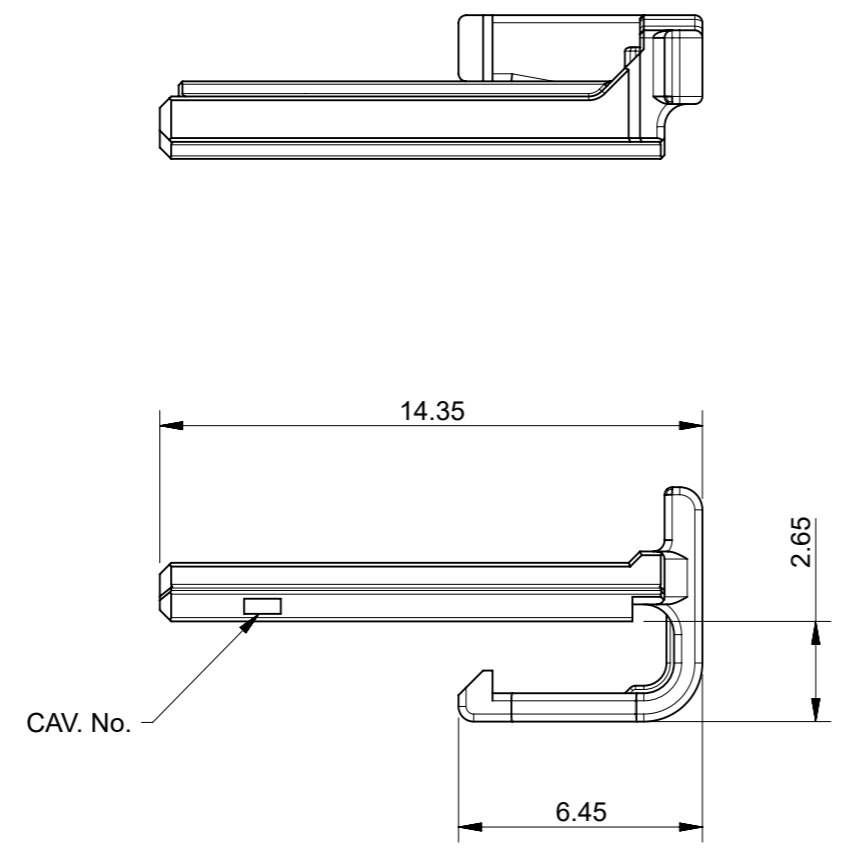
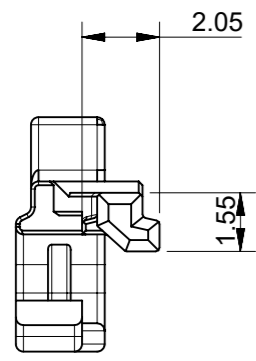


GENERAL TOLERANCE										USED ON
10 MAX	30 MAX	50 MAX	70 MAX	100 MAX	120 MAX	250 MAX	250 OVER	ANGLE	ECCENT	
±0.15	±0.20	±0.30	±0.40	±0.50	±0.75	±0.90	±1.4	±0.5°	0.1	



ISO VIEW



MATERIAL NUMBER

ORDER NO.	MATERIAL NO.	COLOR
560125-0600	5601250600	GRAY
560125-0601	5601250601	BLACK

NOTES:

1. MATERIALS : POLYESTER (PBT)-GF17, UL94 V-0
2. APPLICABLE HOUSING : 560123 SERIES
3. GENERAL TOLERANCE : SEE TABLE
4. EVL AND RoHS COMPLIANT
5. PRODUCT SPECIFICATION : PS-560123-00\*
6. PACKING SPECIFICATION : PK-560125-001

FUNCTIONAL SYMBOLS	THIS DRAWING CONTAINS INFORMATION THAT IS PROPRIETARY TO MOLEX ELECTRONIC TECHNOLOGIES, LLC AND SHOULD NOT BE USED WITHOUT WRITTEN PERMISSION	CURRENT REV DESC: DRAWING REMASTERED																																											
	<table border="1"> <tr> <th>DIMENSION UNITS</th> <th>SCALE</th> </tr> <tr> <td>mm</td> <td>5:1</td> </tr> </table>	DIMENSION UNITS	SCALE				mm	5:1	<table border="1"> <tr> <th colspan="2">GENERAL TOLERANCES (UNLESS SPECIFIED)</th> </tr> <tr> <td>ANGULAR TOL</td> <td>± °</td> </tr> <tr> <td>4 PLACES</td> <td>±</td> </tr> <tr> <td>3 PLACES</td> <td>±</td> </tr> <tr> <td>2 PLACES</td> <td>±</td> </tr> <tr> <td>1 PLACE</td> <td>±</td> </tr> <tr> <td>0 PLACES</td> <td>±</td> </tr> </table>		GENERAL TOLERANCES (UNLESS SPECIFIED)		ANGULAR TOL	± °	4 PLACES	±	3 PLACES	±	2 PLACES	±	1 PLACE	±	0 PLACES	±	<table border="1"> <tr> <td>EC NO: 641821</td> <td>2020/07/17</td> </tr> <tr> <td>DRWN: SAKIM</td> <td>2020/07/27</td> </tr> <tr> <td>CHK'D: TOSADA</td> <td>2020/07/27</td> </tr> <tr> <td>APPR: TOSADA</td> <td>2020/07/27</td> </tr> </table>		EC NO: 641821	2020/07/17	DRWN: SAKIM	2020/07/27	CHK'D: TOSADA	2020/07/27	APPR: TOSADA	2020/07/27	<table border="1"> <tr> <th colspan="3">PRODUCT CUSTOMER DRAWING</th> </tr> <tr> <td>DOCUMENT NUMBER</td> <td>DOC TYPE</td> <td>DOC PART</td> </tr> <tr> <td>SD-560125-004</td> <td>PSD</td> <td>001</td> </tr> <tr> <td>REVISION</td> <td colspan="2">B1</td> </tr> </table>			PRODUCT CUSTOMER DRAWING			DOCUMENT NUMBER	DOC TYPE	DOC PART	SD-560125-004	PSD
DIMENSION UNITS	SCALE																																												
mm	5:1																																												
GENERAL TOLERANCES (UNLESS SPECIFIED)																																													
ANGULAR TOL	± °																																												
4 PLACES	±																																												
3 PLACES	±																																												
2 PLACES	±																																												
1 PLACE	±																																												
0 PLACES	±																																												
EC NO: 641821	2020/07/17																																												
DRWN: SAKIM	2020/07/27																																												
CHK'D: TOSADA	2020/07/27																																												
APPR: TOSADA	2020/07/27																																												
PRODUCT CUSTOMER DRAWING																																													
DOCUMENT NUMBER	DOC TYPE	DOC PART																																											
SD-560125-004	PSD	001																																											
REVISION	B1																																												
DIVISIONAL SYMBOLS	<table border="1"> <tr> <th>DRAFT WHERE APPLICABLE MUST REMAIN WITHIN DIMENSIONS</th> <th>THIRD ANGLE PROJECTION</th> <th>DRAWING</th> <th>SERIES</th> <th>MATERIAL NUMBER</th> <th>CUSTOMER</th> <th>SHEET NUMBER</th> </tr> <tr> <td></td> <td></td> <td>A3-SIZE</td> <td>560125</td> <td>SEE TABLE</td> <td>GENERAL MARKET</td> <td>1 OF 1</td> </tr> </table>	DRAFT WHERE APPLICABLE MUST REMAIN WITHIN DIMENSIONS	THIRD ANGLE PROJECTION	DRAWING	SERIES	MATERIAL NUMBER	CUSTOMER	SHEET NUMBER			A3-SIZE	560125	SEE TABLE	GENERAL MARKET	1 OF 1																														
DRAFT WHERE APPLICABLE MUST REMAIN WITHIN DIMENSIONS	THIRD ANGLE PROJECTION	DRAWING	SERIES	MATERIAL NUMBER	CUSTOMER	SHEET NUMBER																																							
		A3-SIZE	560125	SEE TABLE	GENERAL MARKET	1 OF 1																																							