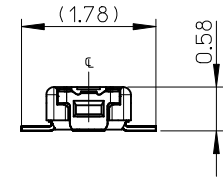
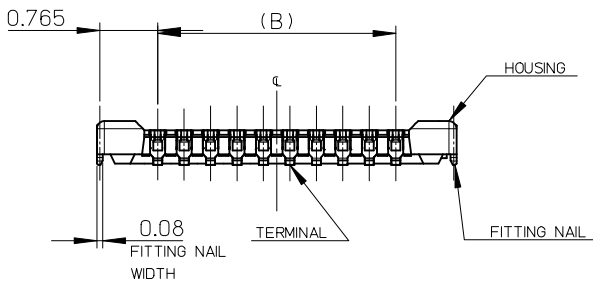


SECTION A-A

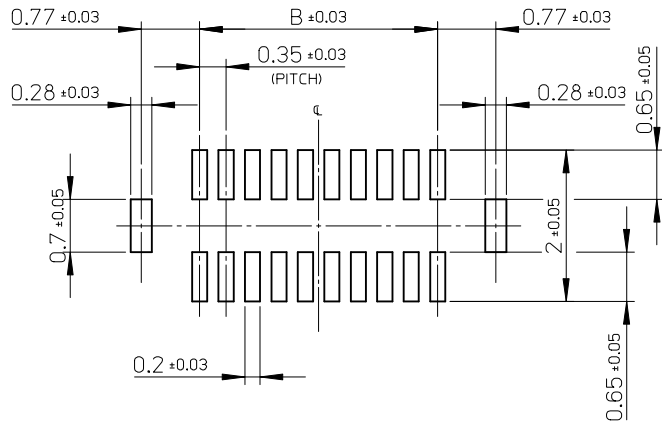


注記 NOTES

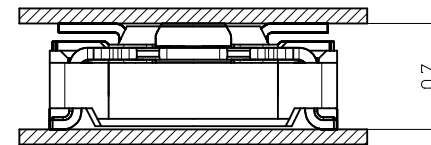
1. 使用材料 MATERIAL
 ハウジング : 液晶ポリマー (LCP) UL94V-0 (黒)
 HOUSING: LIQUID CRYSTAL POLYMER UL94V-0 (COLOR: BLACK)
 ターミナル : 銅合金
 TERMINAL : COPPER ALLOY
 金具 : 銅合金
 FITTING NAIL : COPPER ALLOY
 2. メッキ仕様 PLATING
 ターミナル TERMINAL
 金メッキ
 GOLD
 下地メッキ : ニッケルメッキ
 UNDER PLATING : NICKEL
 ※コンタクト部とテール部はニッケルメッキによって分断されている金メッキです。
 DIVIDE INTO PARTS THE GOLD PLATING OF THE CONTACT AND THE TAIL PART BY THE NICKEL PLATING.
 3. 金具 FITTING NAIL
 金メッキ (テール部のみ)
 GOLD (ONLY TAIL PART)
 下地メッキ : ニッケルメッキ
 UNDER PLATING : NICKEL
- △ (全極数 / 2) = 偶数の場合に適用。
 APPLY FOR (CIRCUIT/2)=EVEN.
4. 嵌合相手 : 504008 シリーズ
 MATE WITH : 504008 SERIES.
 5. テール平坦度は、0.08 以下
 テール及び金具の平坦度は、0.1 以下
 TAIL COPLANARITY TO BE 0.08 MAXIMUM.
 TAIL AND FITTING NAIL COPLANARITY TO BE 0.1 MAXIMUM.
 6. ELV & RoSH 適合品
 ELV and RoSH COMPLIANT

1.4	3.01	504011-1010	10
B	A	EMBOSSED PACKAGE	極数
		オーダー番号 ORDER No.	CIRCUITS
CONNECTOR SERIES No. : 504011-xx09			

RELEASED EC NO: J2013-0281 DRWN: ITANIGUCHI 2012/09/04 CHKD: RTAKEUCHI 2012/09/04 APPR: MSASAO 2012/09/05	DIMENSION STYLE MM ONLY	SCALE	DESIGN UNITS	THIRD ANGLE PROJECTION	
		15:1	METRIC		
		DRAWN BY DATE			TITLE
		TTANIGUCHI 101 2012/09/04			0.35 B-TO-B CONN HGT=0.7 PLUG ASSY 035ST7
		CHECKED BY DATE			
RTAKEUCHI 2012/09/04					
APPROVED BY DATE					
MSASAO 2012/09/05					
MATERIAL NO.		DOCUMENT NO.	SHEET NO.		
SEE CHART		SD-504011-001	1 OF 2		
SIZE A3 THIS DRAWING CONTAINS INFORMATION THAT IS PROPRIETARY TO MOLEX INCORPORATED AND SHOULD NOT BE USED WITHOUT WRITTEN PERMISSION					



RECOMMENDED P.W. BOARD
PATTERN LAYOUT

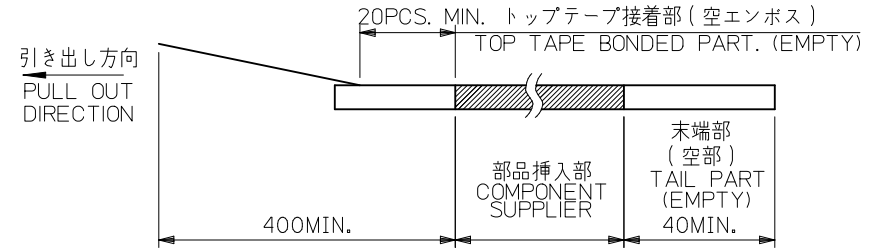


MATED DRAWING
(SCALE 30:1)

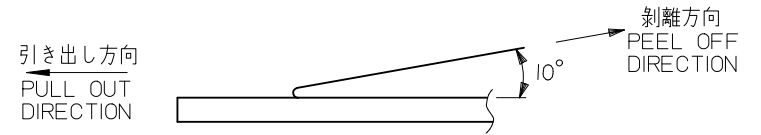
RELEASED EC NO: J2013-0281 DRWN: TTANIGUCHI 01 2012/09/04 CHKD: RTAKEUCHI 2012/09/04 APPR: MSASAO 2012/09/05	GENERAL TOLERANCES (UNLESS SPECIFIED)		DIMENSION STYLE MM ONLY	SCALE 15:1	DESIGN UNITS METRIC	THIRD ANGLE PROJECTION
	10 UNDER	±0.2	DRAWN BY TTANIGUCHI 01	DATE 2012/09/04	TITLE 0.35 B-TO-B CONN HGT=0.7 PLUG ASSY 035ST7	
	10 OVER 30 UNDER	±0.25	CHECKED BY RTAKEUCHI	DATE 2012/09/04		
	30 OVER	±0.3	APPROVED BY MSASAO	DATE 2012/09/05		
ANGULAR ±1°	DRAFT WHERE APPLICABLE MUST REMAIN WITHIN DIMENSIONS	MATERIAL NO. SEE CHART		DOCUMENT NO. SD-504011-001	SHEET NO. 2 OF 2	
SIZE A3	THIS DRAWING CONTAINS INFORMATION THAT IS PROPRIETARY TO MOLEX INCORPORATED AND SHOULD NOT BE USED WITHOUT WRITTEN PERMISSION					

注記 NOTES

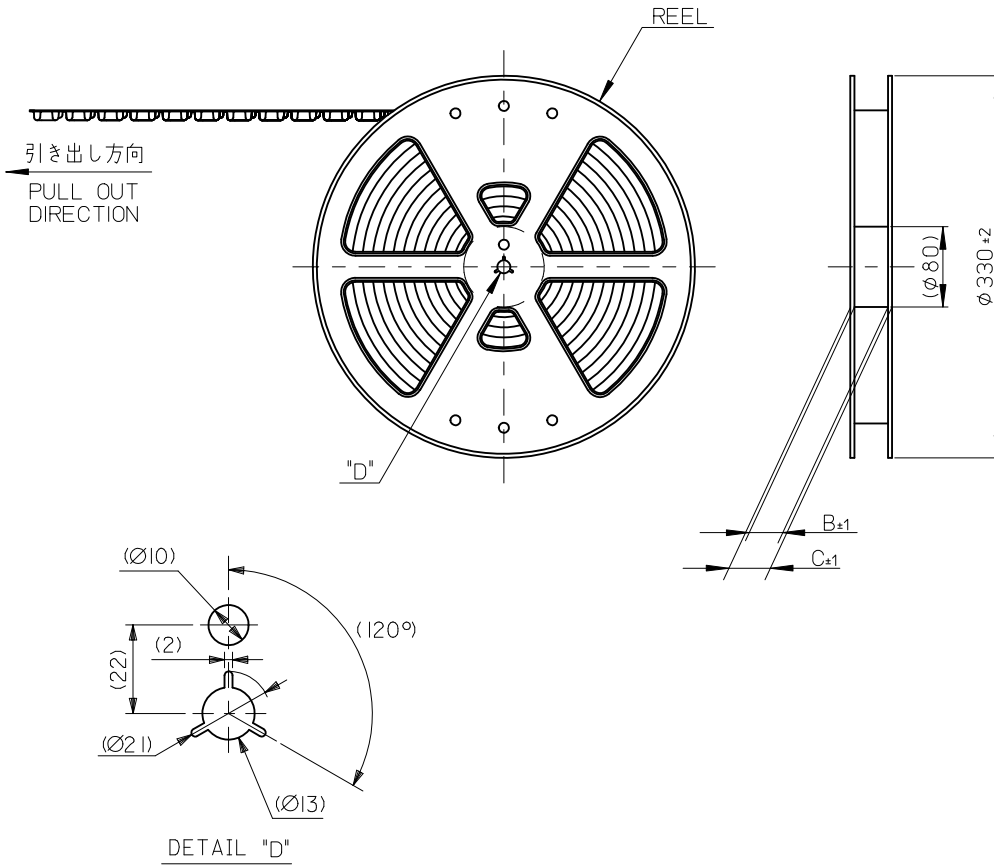
- 製品詳細寸法については製品単体図面を参照下さい。
RE DETAILED DIMENSION, SEE PRODUCT DRAWING.
- 梱包数量: 3000 個/リール
NUMBER OF CONNECTORS: 3000PCS/REEL
- リードテープ長さ LEAD TAPE LENGTH



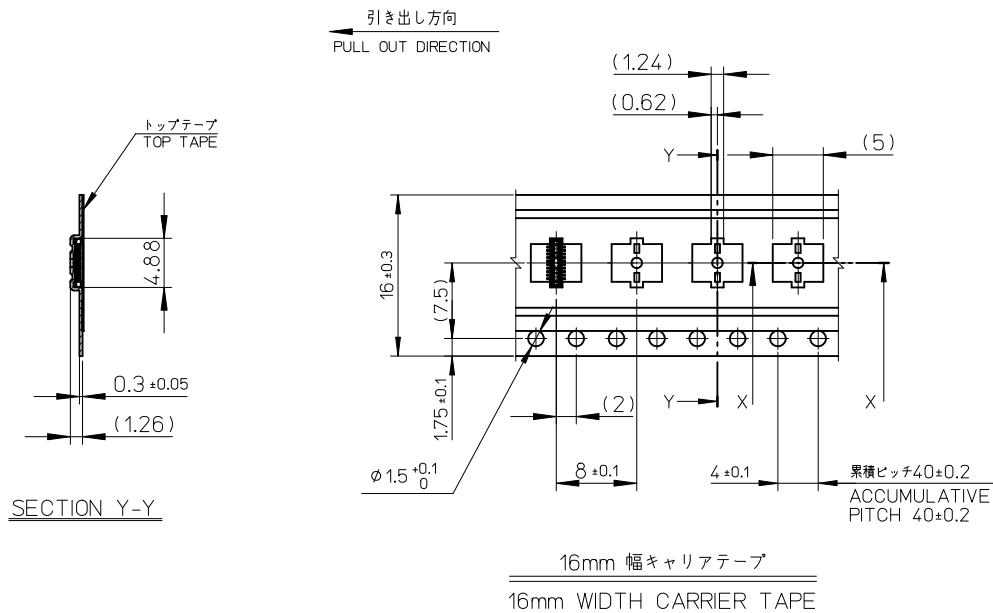
- トップテープの剥離強度: 0.1N~1.3N(10gf~130gf)
(剥離方向は下図参照)
尚、本規格値は出荷時に適用。(但し、輸送時に剥離が発生しないこと。)
PEELING OFF FORCE OF TOP TAPE: 0.1N~1.3N(10gf~130gf)
(PEELING DIRECTION AS SHOWN IN FOLLOWING FIG.)
THIS REQUIREMENT SHOULD BE APPLIED AT SHIPMENT.
PEEL OFF SHOULD NOT BE ALLOWED, DURING TRANSPORTION.



- 材料 MATERIAL
キャリアテープ (CARRIER TAPE): ポリスチレン (POLYSTYRENE)
トップテープ (TOP TAPE): PET, OTHER
リール (REEL): ポリスチレン (PS) <リサイクル材を含む>
POLYSTYRENE (PS) <RECYCLE MATERIAL CONTAINED>
- ELV 及び RoHS適合品
ELV AND RoHS COMPLIANT



RELEASED EC NO: J2012-1336 DRWN: TTANIGUCHI 2012/04/17 CHKDR: TAKEUCHI 2012/05/16 APPR: MSASAO 2012/05/17	GENERAL TOLERANCES (UNLESS SPECIFIED)		DIMENSION STYLE MM ONLY		SCALE 1:1	DESIGN UNITS METRIC	MODEL NO. 504011-xx10
	10 UNDER	± ---	DRAWN BY TTANIGUCHI	DATE 2012/04/17	TITLE 0.35 B-T0-B CONN HGT=0.7 PLUG ASSY EMBSTP PKG 035ST7		
	10 OVER 30 UNDER	± ---	CHECKED BY RTAKEUCHI	DATE 2012/05/16			
	30 OVER	± ---	APPROVED BY	DATE			
ANGULAR ±1	°	MATERIAL NO. SEE CHART		DOCUMENT NO. SD-504011-002	SHEET NO. 1 OF 2		
DRAFT WHERE APPLICABLE MUST REMAIN WITHIN DIMENSIONS		SIZE A3	THIS DRAWING CONTAINS INFORMATION THAT IS PROPRIETARY TO MOLEX INCORPORATED AND SHOULD NOT BE USED WITHOUT WRITTEN PERMISSION				



16	21.4	17.4	3.13	504011-1010	10
キャリアテープ幅 CARRIER TAPE WIDTH			C	B	(A)
				MATERIAL No.	504011-1010
				MODEL No.	504011-1010

RELEASED EC NO: J2012-1336 DRWN: ITANIGUCHI 2012/04/17 CHKD: RTAKEUCHI 2012/05/16 APPR: MSASAO 2012/05/17	GENERAL TOLERANCES (UNLESS SPECIFIED)		DIMENSION STYLE MM ONLY		SCALE 2:1	DESIGN UNITS METRIC	THIRD ANGLE PROJECTION
	10 UNDER	± ---	DRAWN BY TTANIGUCHI		DATE 2012/04/17		TITLE 0.35 B-T0-B CONN HGT=0.7 PLUG ASSY EMBSTP PKG 035ST7
	10 OVER 30 UNDER	± ---	CHECKED BY RTAKEUCHI		DATE 2012/05/16		
	30 OVER	± ---	APPROVED BY		DATE		
	ANGULAR ±1 °		MATERIAL NO.		DOCUMENT NO.		SHEET NO. 2 OF 2
DRAFT WHERE APPLICABLE MUST REMAIN WITHIN DIMENSIONS		SEE CHART		SD-504011-002			
THIS DRAWING CONTAINS INFORMATION THAT IS PROPRIETARY TO MOLEX INCORPORATED AND SHOULD NOT BE USED WITHOUT WRITTEN PERMISSION							