

## **RFEC-2**

High quality low loss CFD400 cable suitable for outdoor installation and weather extreme conditions.

Length 3 meter with connectors M-Female to RP-SMA Male



*Fully compatible with technologies, products and services by*



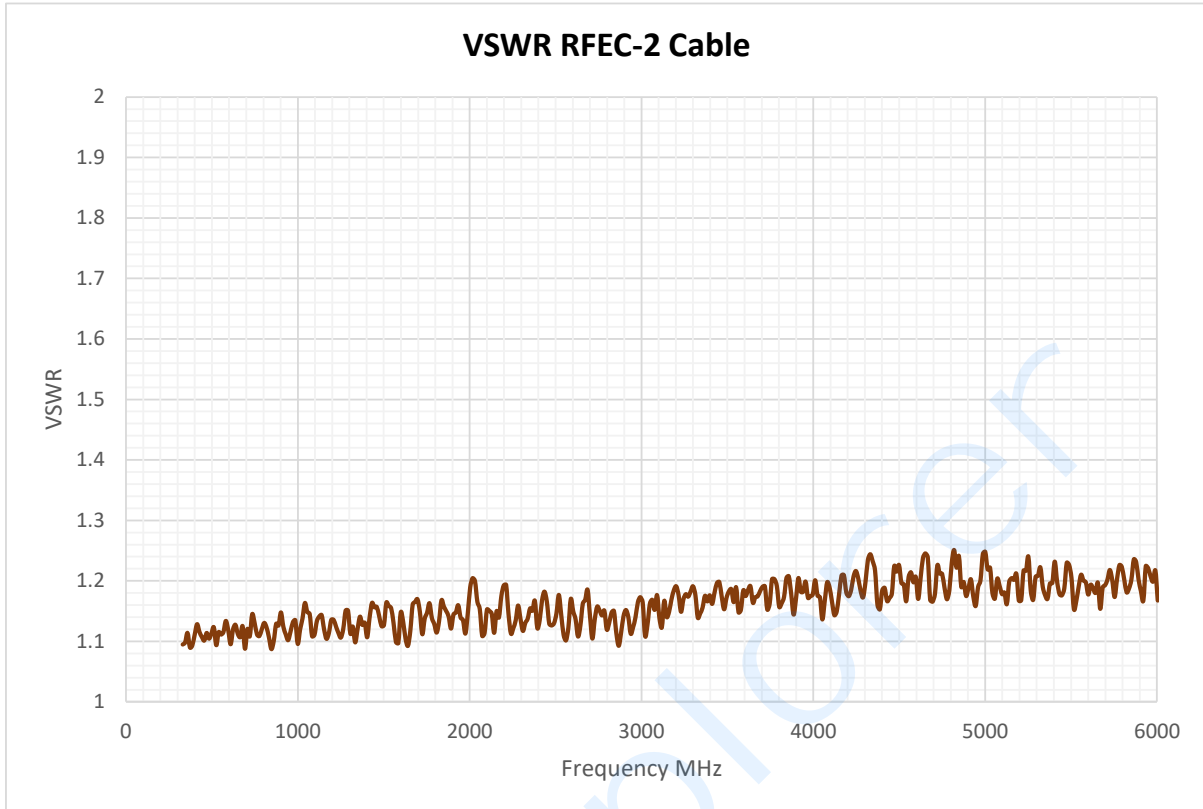
## Features

- ✓ Robust construction for outdoor usage
- ✓ Perfect connector match with RF Explorer high performance antennas and Helium hotspots
- ✓ Very low insertion loss

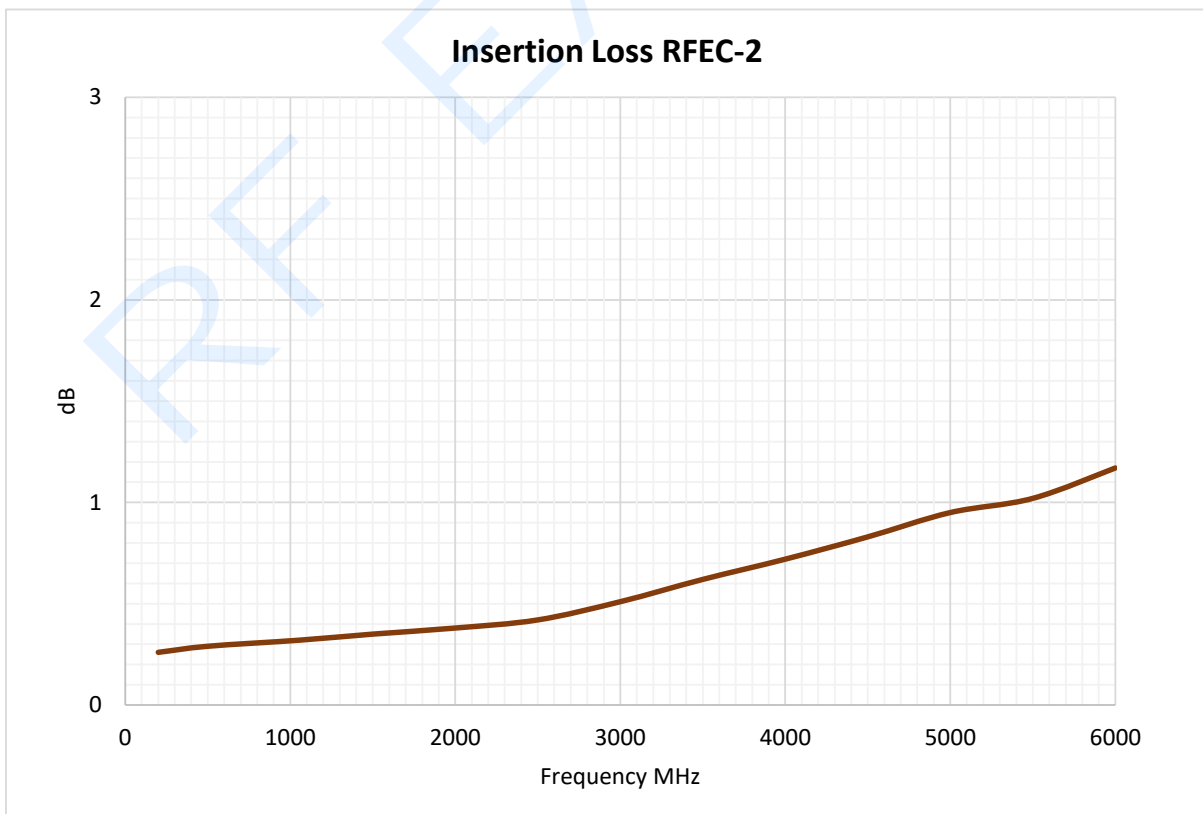
## Specification

<b>Frequency Range</b>	0-6000MHz
<b>Length</b>	3 meter ±40mm
<b>Impedance</b>	50Ω
<b>VSWR</b>	Typical 1.1 @ 900MHz ≤1.5 max @ 6GHz
<b>Insertion Loss</b>	Typical 0.45db @ 900MHz ≤1.5dB max @ 6GHz
<b>Capacitance</b>	76pF/m
<b>Velocity of Propagation</b>	85%
<b>Connectors</b>	Type N Male/Jack Type RP SMA Male
<b>Insulation Resistance</b>	> 1,000 MΩ
<b>Bend Radius</b>	Min 25.4mm
<b>Voltage Breakdown</b>	2.5KV
<b>External Cable Diameter</b>	10.3mm
<b>Connectors</b>	Type N Female Type RP-SMA Male
<b>Mating Cycles</b>	> 500
<b>Jacket Material</b>	PE
<b>Conductor Material</b>	Copper
<b>Binder Material</b>	Aluminum/PE Tape
<b>Braid Material</b>	Tinned copper wire
<b>Operation Temperature</b>	-30°C to +65°C
<b>Environmental</b>	RoHS

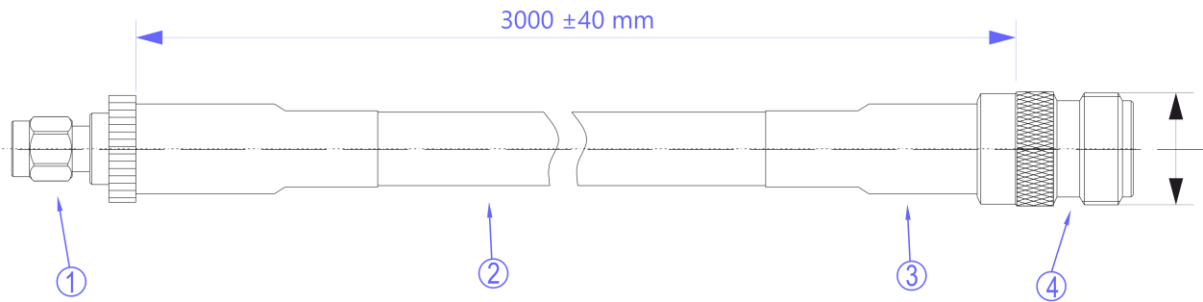
## VSWR



## Insertion Loss



## Mechanical Specifications



- All Dimensions in millimeters (mm)*
- 1- RF Connector RP-SMA Male
  - 2- CFD400 cable 10.3mm diameter
  - 3- Heat shrink assembly 13mm diameter
  - 4- RF Connector N Female - Cu Nickel Plated

