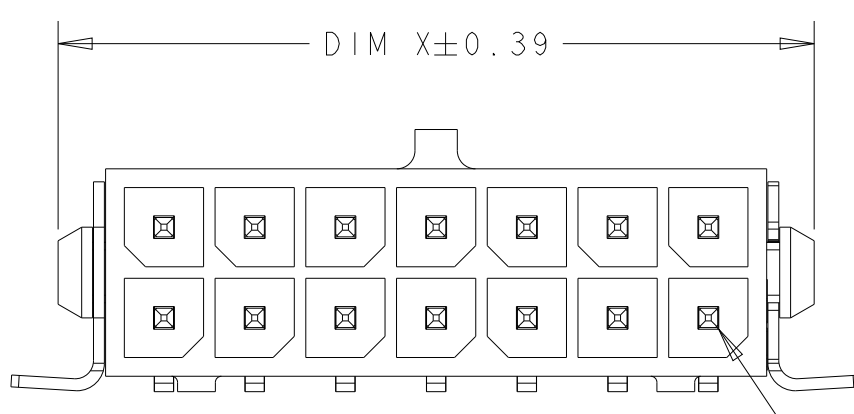
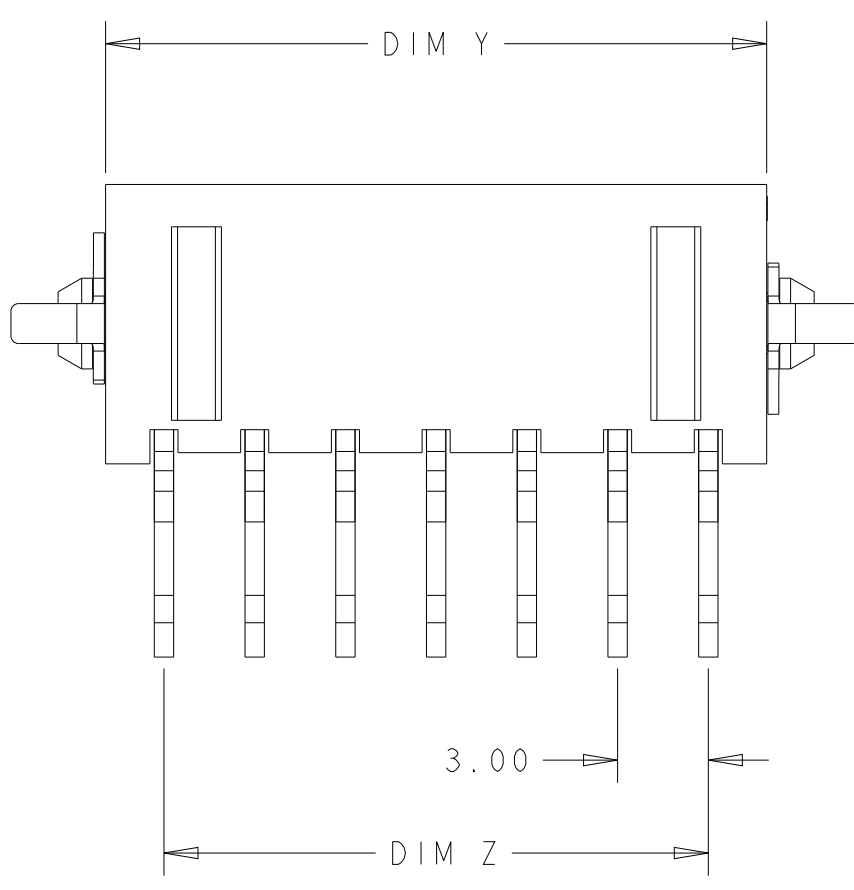
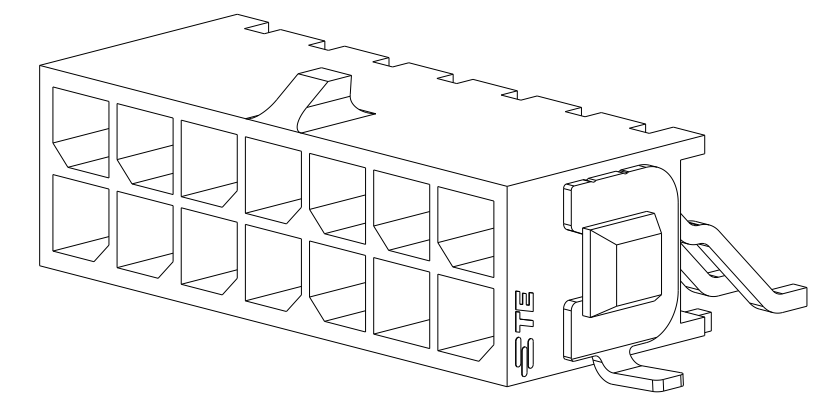
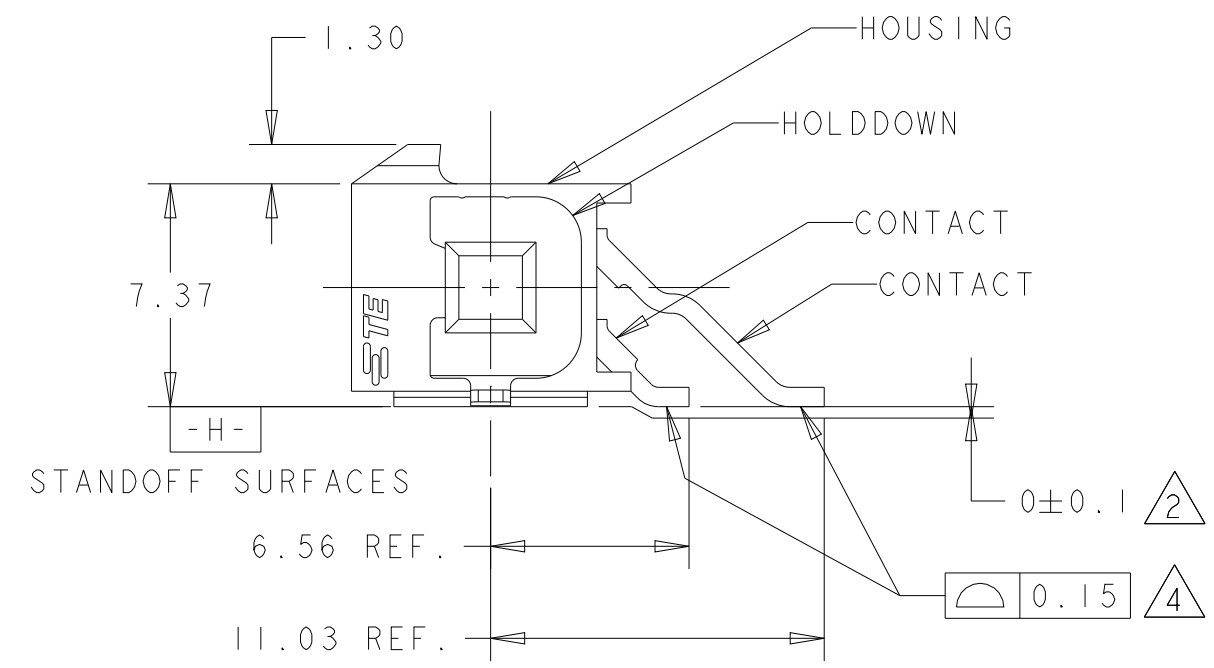


THIS DRAWING IS UNPUBLISHED. RELEASED FOR PUBLICATION 20
 © COPYRIGHT 20 BY - ALL RIGHTS RESERVED.

REVISIONS					
P	LTR	DESCRIPTION	DATE	DWN	APVD
	H5	REVISED PER ECR-22-160768	23JUN2022	WLS	VS



CIRCUIT NUMBER 1



- 1 MATERIAL;
 HOUSING - UL 94V-0 RATED HIGH TEMP NYLON, COLOR BLACK.
 CONTACTS - BRASS.
 HOLDDOWNS - PHOSPHOR BRONZE.
- 2 DIMENSION APPLIES TO SOLDER TAIL SURFACES AND STANDOFF SURFACES.
- 3 RECOMMENDED PC BOARD THICKNESS OF 1.57.
- 4 ALL SOLDER TAILS AND HOLDDOWNS.
- 5 PLATING;
 CONTACTS - 0.38µm MINIMUM GOLD ON MATING AREA.
 2.54µm MINIMUM MATTE TIN ON SOLDER TAIL.
 ALL OVER 1.27µm MINIMUM NICKEL.
 HOLDDOWNS - 2.54µm MINIMUM MATTE TIN OVER 1.27µm MINIMUM NICKEL.
- 6 COUNTERPART RECOMMENDED IS PN 794617 (DASH ACCORDING TO NUMBER OF POSITION).
- 7 FOR REELING DIRECTION AND PACKAGING TYPE, SEE SPECIFICATION 114-13000.

36.86	40.27	33.00	40.00	24	5-794628-4
33.86	37.27	30.00	37.00	22	5-794628-2
30.86	34.27	27.00	34.00	20	5-794628-0
27.86	31.27	24.00	31.00	18	4-794628-8
24.86	28.27	21.00	28.00	16	4-794628-6
21.86	25.27	18.00	25.00	14	4-794628-4
18.86	22.27	15.00	22.00	12	4-794628-2
15.86	19.27	12.00	19.00	10	4-794628-0
12.86	16.27	9.00	16.00	8	3-794628-8
9.86	13.27	6.00	13.00	6	3-794628-6
6.86	10.27	3.00	10.00	4	3-794628-4
3.86	7.27	-	7.00	2	3-794628-2
DIM Y	DIM W	DIM Z	DIM X	NO. OF POSN.	PART NUMBER

THIS DRAWING IS A CONTROLLED DOCUMENT.		DWN K. WHITAKER 19MAR2003	TE Connectivity		
DIMENSIONS: mm		CHK C. JONES 19MAR2003			
TOLERANCES UNLESS OTHERWISE SPECIFIED:		APVD C. JONES 19MAR2003	NAME SURFACE MOUNT, RIGHT ANGLE, SURFACE MOUNT HOLDDOWN, ASSEMBLY, 15 GOLD HEADER, DUAL ROW, MICRO MATE-N-LOK™		
0 PLC ± 1 PLC ± 2 PLC ±0.20 3 PLC ± 4 PLC ± ANGLES ±1° FINISH		PRODUCT SPEC 108-1836	SIZE 114-13000	CAGE CODE A200779	DRAWING NO C-794628
MATERIAL 1	5	APPLICATION SPEC 114-13000	WEIGHT -	RESTRICTED TO -	SCALE 4:1 SHEET 1 OF 2 REV H5
CUSTOMER DRAWING					

4

3

2

1

THIS DRAWING IS UNPUBLISHED. RELEASED FOR PUBLICATION 20
 © COPYRIGHT 20 BY - ALL RIGHTS RESERVED.

REVISIONS				
P	LTR	DESCRIPTION	DATE	APVD
-	-	SEE SHEET 1	-	-

2 POS. 14 POS.
 4 POS. 16 POS.
 6 POS. 18 POS.
 8 POS. 20 POS.
 10 POS. 22 POS.
 12 POS. 24 POS.

KEYING BY POSITION SIZE

EDGE OF BOARD
 (1.46)
 10.1
 5.48
 5.65 MIN
 3 MIN
 DIM Z
 1.27
 3
 (0.635)
 2.92
 (0.825)
 1.65±0.08
 3.635
 (1.715)
 3.43±0.08 TYP
 DIM W

RECOMMENDED PCB LAYOUT (3)
(COMPONENT SIDE)

THIS DRAWING IS A CONTROLLED DOCUMENT.		DWN K. WHITAKER 19MAR2003	TE Connectivity	
DIMENSIONS: mm		CHK C. JONES 19MAR2003		
TOLERANCES UNLESS OTHERWISE SPECIFIED:		APVD C. JONES 19MAR2003	NAME SURFACE MOUNT, RIGHT ANGLE, SURFACE MOUNT HOLDDOWN, ASSEMBLY, 15 GOLD HEADER, DUAL ROW, MICRO MATE-N-LOK	
0 PLC ±	1 PLC ±	PRODUCT SPEC 108-1836	SIZE A2	CAGE CODE 0779
2 PLC ±0.20	3 PLC ±	APPLICATION SPEC 114-13000	DRAWING NO G-794628	RESTRICTED TO -
4 PLC ±	ANGLES ±1°	WEIGHT -	SCALE 4:1	SHEET 2 OF 2
MATERIAL -	FINISH -	CUSTOMER DRAWING	REV H5	

1471-9 (3/13)