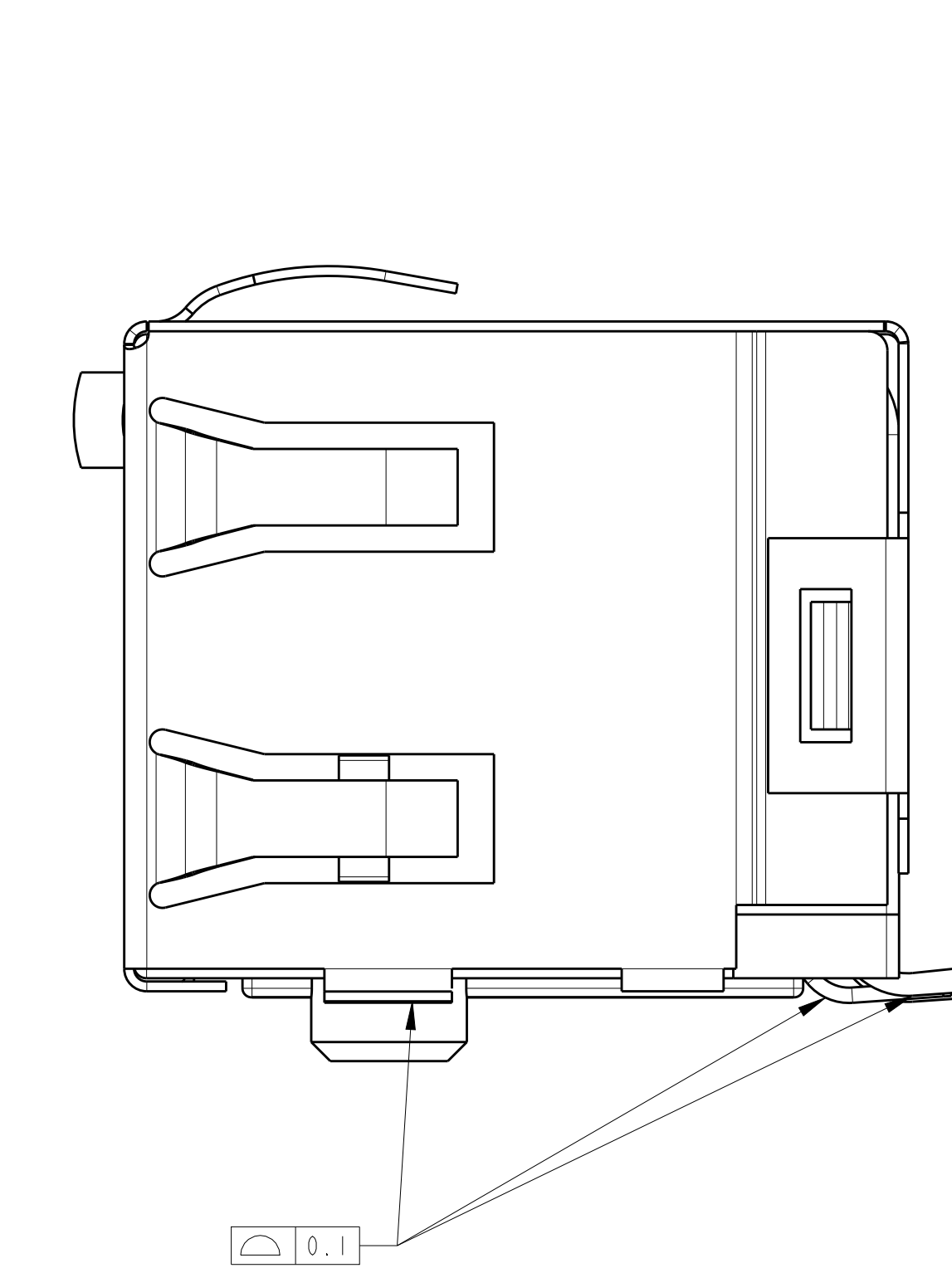
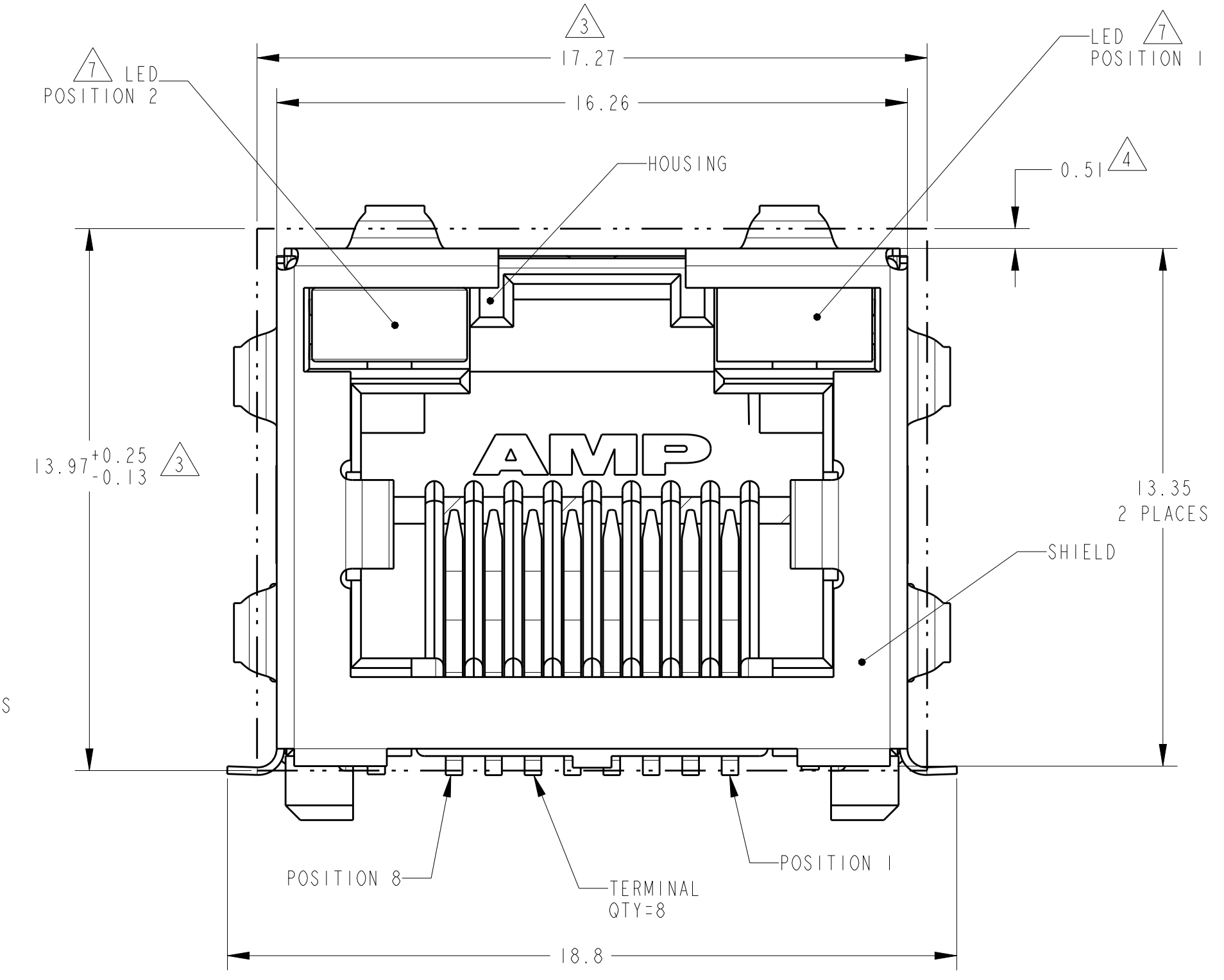
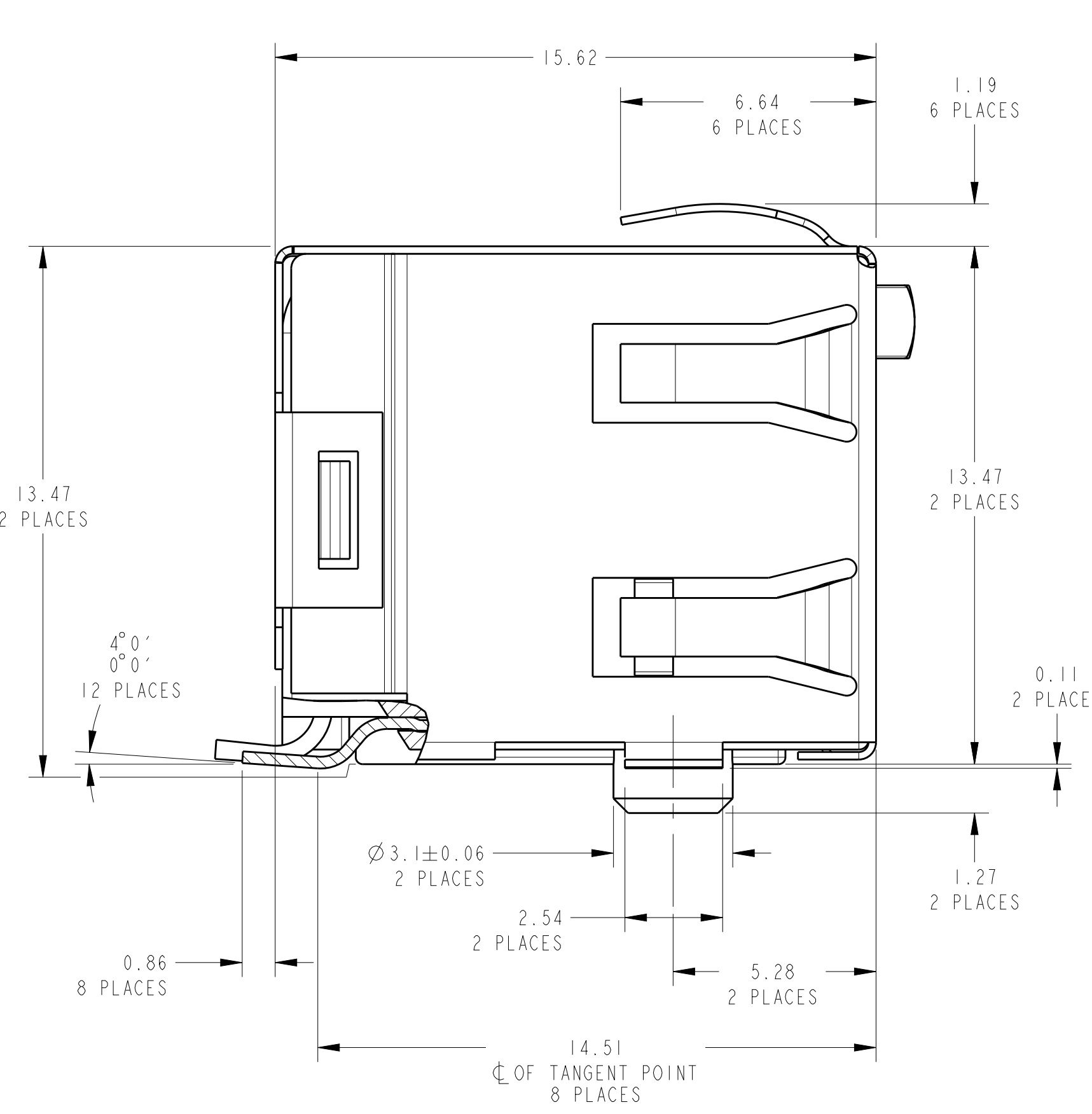
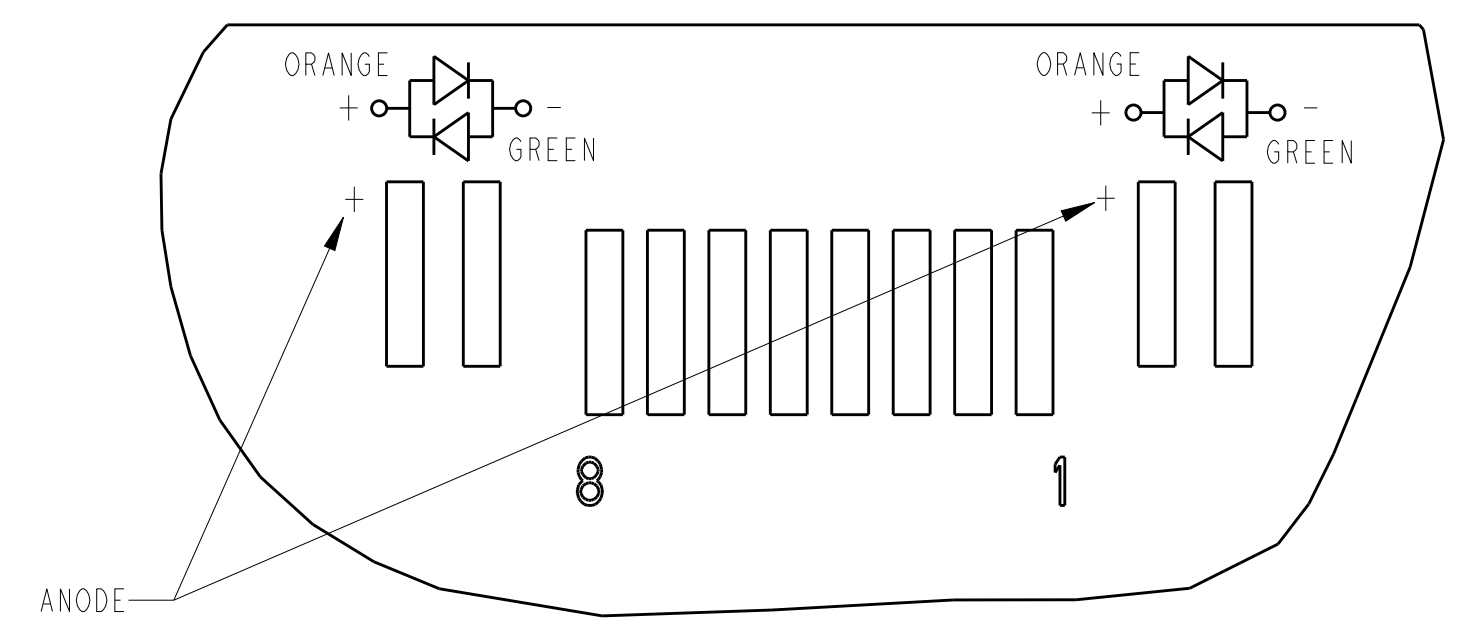
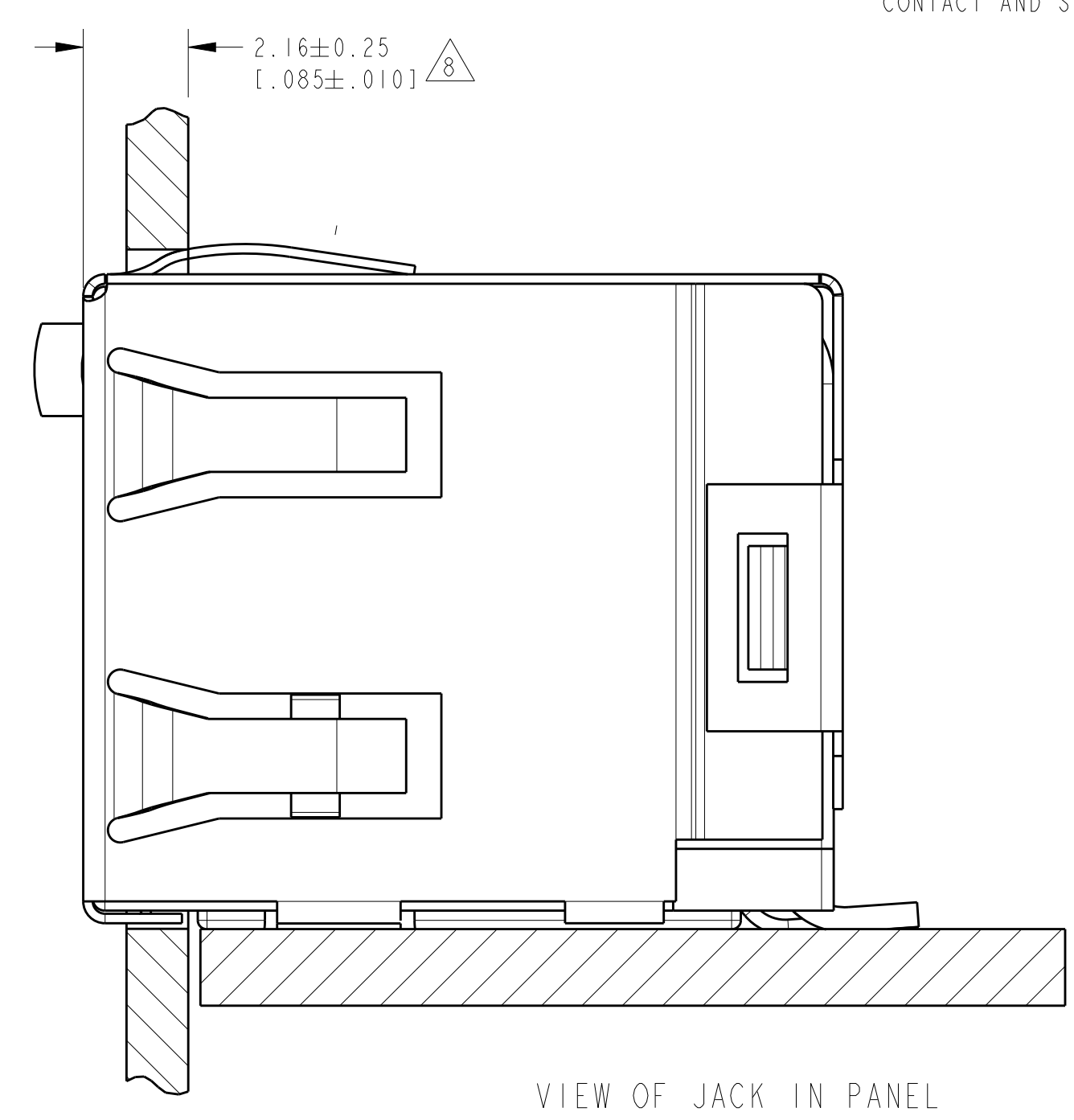
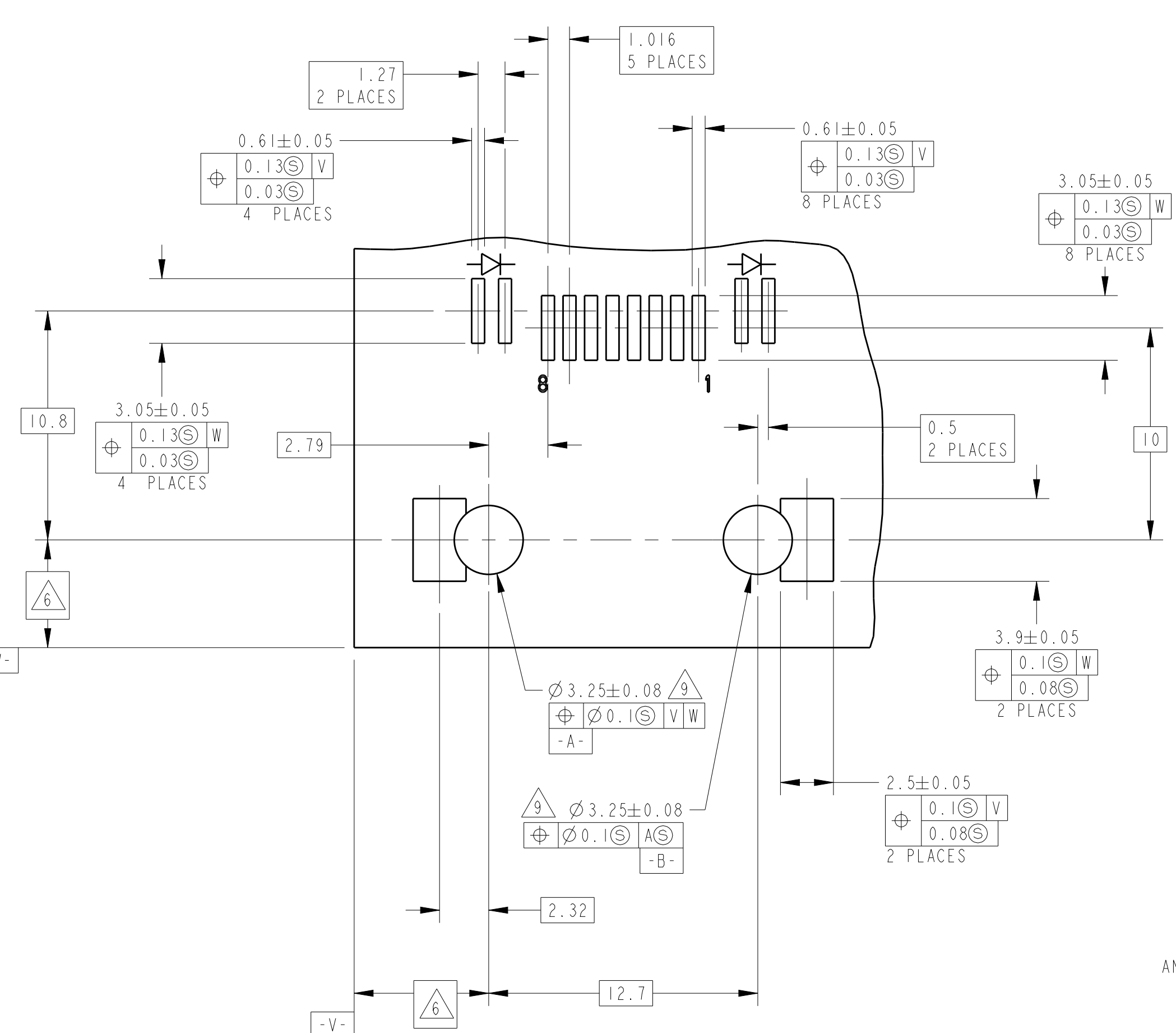


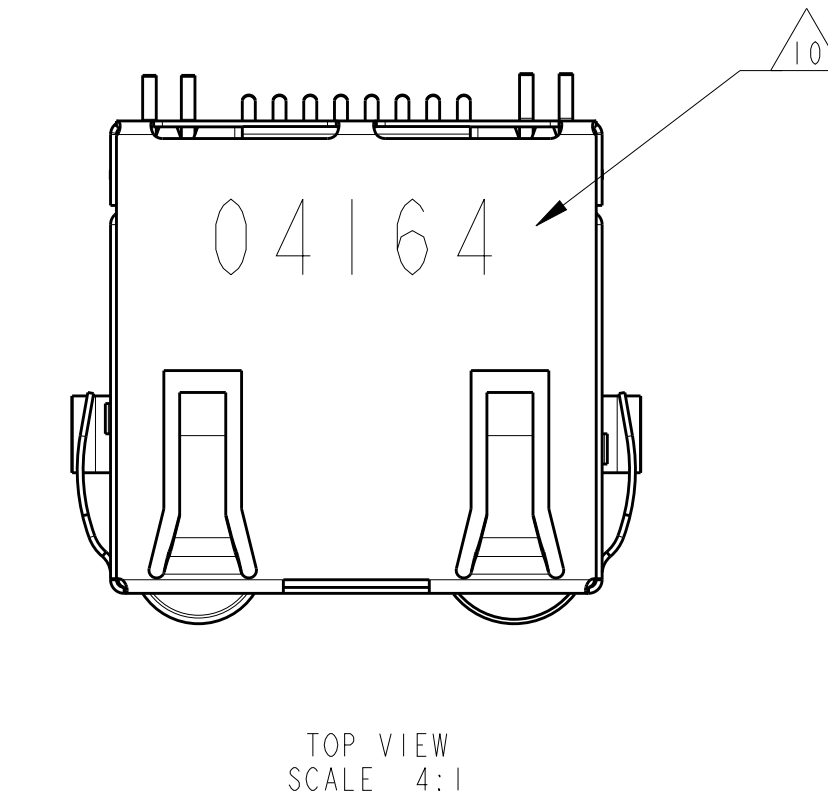
LOC	DIST	REV	DESCRIPTION	DATE	OWN	APPV
IR	-	E	HOUSING RAW MATERIAL CHANGED TO LCP	18NOV2011	PS	RRP
		E2	ECO-16-008897	14JUN2016	AD	SH
		E3	ECO-16-013653	09SEP2016	AD	SH
		F	ECO-18-006356	24APR2018	AD	SH



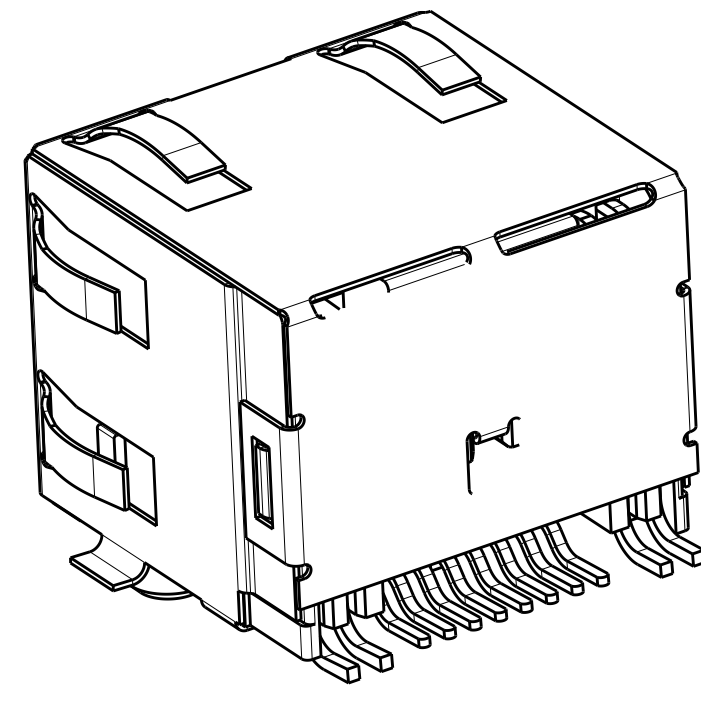
COPLANARITY AT HEELS OF LED CONTACT AND SHIELD JOINTS: (14 PLACES)



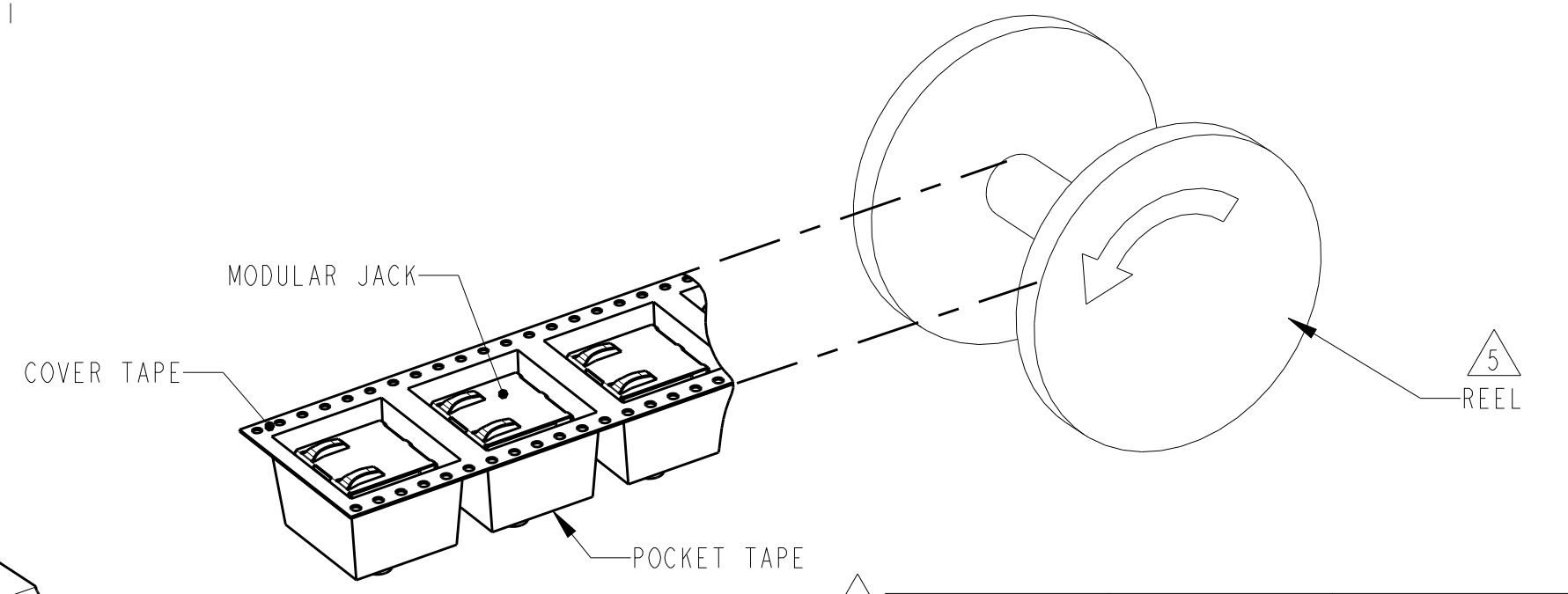
BI-COLOR LED SCHEMATIC FOR 2-6339191-2 ONLY SCALE 8:1



TOP VIEW SCALE 4:1



SCALE 4:1



- MATERIAL:
  - HOUSING - HIGH TEMP THERMOPLASTIC - LCP, BLACK, UL94V-0
  - TERMINALS - 0.30 THICK PHOS BRONZE PLATED WITH 3.81µm MINIMUM THICK MATTE TIN IN SOLDER AREA. 1.27µm MINIMUM GOLD IN LOCALIZED PLATE AREA. ENTIRE TERMINAL PLATED WITH 1.27µm MINIMUM THICK NICKEL.
  - SHIELD - 0.196 THICK COPPER ZINC ALLOY PREPLATED WITH 2.03µm-3.81µm THICK MATTE TIN OVER 1.27µm THICK NICKEL.
  - LIGHT EMITTING DIODE (LED) -- DIFFUSED EPOXY LENS, 0.51 X 0.51 (.020 X .020) CARBON STEEL WIREFRAME LEADS PREPLATED WITH 8.89 µm (.00080) THICK Ag OVER 1.02 µm (.00040) THICK Cu OVER 3.56 µm (.00140) THICK Ni OVER 1.02 µm (.00040) Cu UNDERPLATE.
- JACK CAVITY CONFORMS TO FCC RULES AND REGULATIONS PART 68, SUBPART F
- SUGGESTED PANEL OPENING DIMENSIONS. SEE APPLICATION SPEC 114-2154 FOR PANEL THICKNESS AND POSITION RECOMMENDATIONS
- SUGGESTED CLEARANCE BETWEEN TOP OF CONNECTOR AND TOP PANEL OPENING
- PACKAGED: POCKET TAPE & REEL (PER EAI 481 SPECIFICATIONS)
  - POCKET TAPE WIDTH - 44mm
  - POCKET PITCH - 24mm
  - POCKET DEPTH - 16.7mm
  - CLEAR COVER TAPE, PSA
  - CLEAR COVER TAPE TRAILER - 610mm, WRAPPED ON REEL HUB
  - PLASTIC REEL - 381mm DIAMETER
  - PRODUCT QUANTITY - 200 PIECES PER REEL
- DATUM ESTABLISHED BY CUSTOMER
- SEE TABLE FOR COLOR OF LEDS AND NUMBER REQUIRED
- CONNECTOR SHOULD BE POSITIONED THRU PANEL CUTOUT AS SHOWN TO SUPPORT TOP OF MODULAR JACK FOR STRAIN RELIEF
- ZERO INSERTION FORCE POST WITH RECOMMENDED PCB LAYOUT
- MANUFACTURING DATECODE LOCATED APPROX AS SHOWN. FIRST 2 DIGITS ARE YEAR, SECOND 2 DIGITS ARE WORK WEEK, LAST DIGIT IS THE DAY OF WEEK
- OBsolete PARTS: OBSOLETE CIS STREAMLINING PER D.RENAUD/D.SINSI.
- COMPLY WITH HIGH TEMPERATURE IR REFLOW PROCESS.
- NO PRODUCTION PARTS

LED POSITION	LED COLOR	PART NUMBER
POSITION 2	ORANGE/GREEN	3-6339191-2
POSITION 1	GREEN	1-6339191-5
	GREEN	1-6339191-4
	GREEN	4-6339191-1
	YELLOW	3-6339191-1
	RED	2-6339191-3
	ORANGE/GREEN	2-6339191-2
	GREEN	2-6339191-1
	GREEN	6339191-5
	GREEN	6339191-4
	YELLOW	6339191-1
POSITION 2	ORANGE/GREEN	3-6339191-2
POSITION 1	GREEN	1-6339191-5
	GREEN	1-6339191-4
	GREEN	4-6339191-1
	YELLOW	3-6339191-1
	RED	2-6339191-3
	ORANGE/GREEN	2-6339191-2
	GREEN	2-6339191-1
	GREEN	6339191-5
	GREEN	6339191-4
	YELLOW	6339191-1

THIS DRAWING IS A CONTROLLED DOCUMENT.

OWN: B. HOLTZCLAW & WAYER  
 CH: J. WESTMAN  
 APV: S. FLICKINGER  
 DATE: 27 JULY 2005

TE Connectivity

INVERTED MODULAR JACK ASSEMBLY, 1x1, SHIELDED, SURFACE MOUNT, 8 POSITION, RJ45, WITH TWO LED'S

SCALE 5:1 SHEET 1 OF 1 REV F