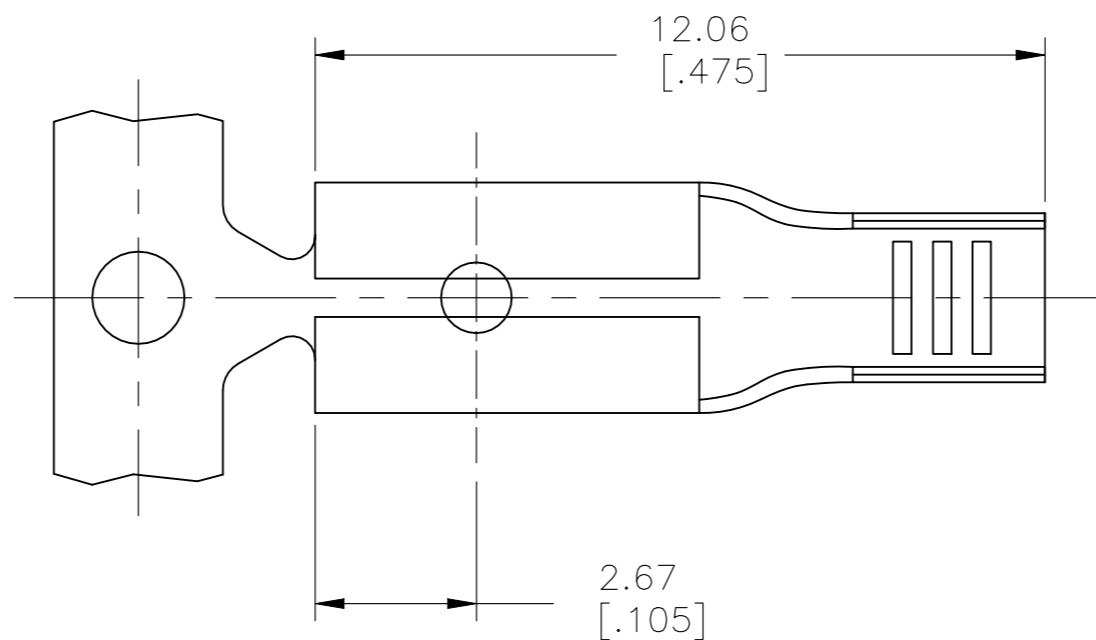
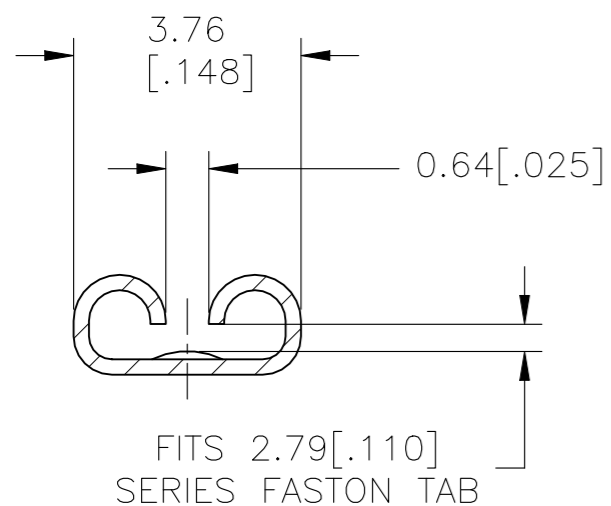


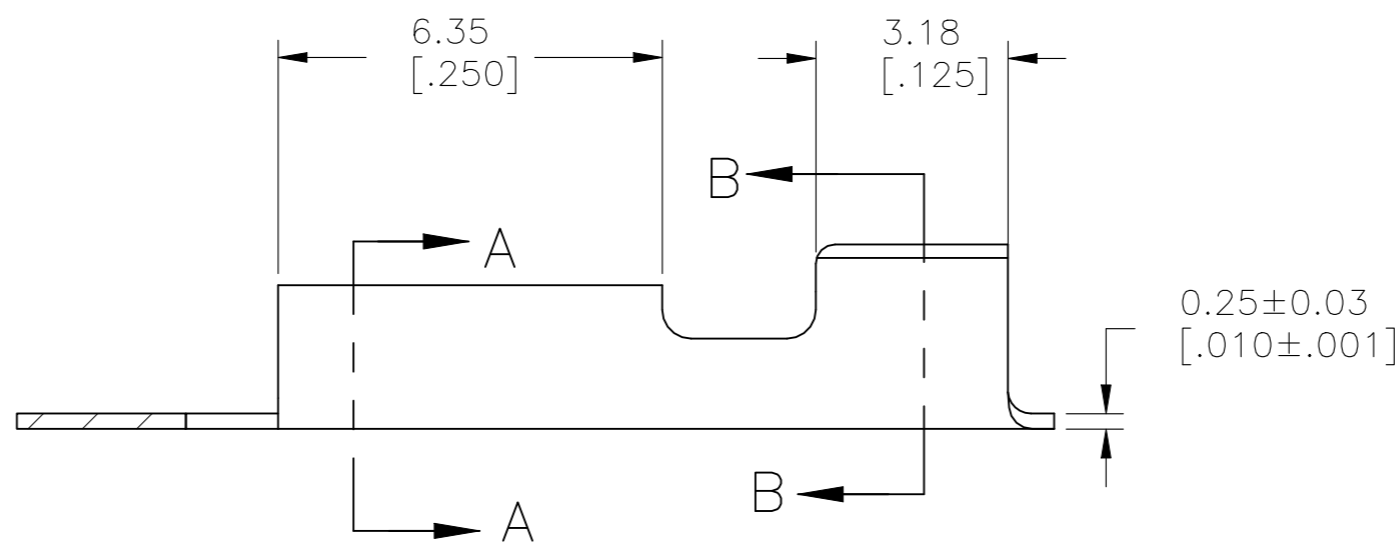
REVISIONS					
P	LTR	DESCRIPTION	DATE	DWN	APVD
	B2	REVISED PER ECR-19-018140	24DEC2020	SS	EW



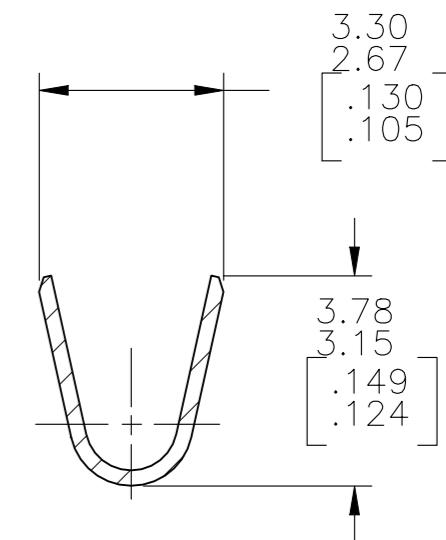
- 1 CONTINUOUS STRIP ON REELS
- △ 2 FINISH LEAD-FREE, MATTE TIN OVER NICKEL



SECTION A-A



SECTION B-B



OBSOLETE	#18-#14 AWG	0.51±0.08 [.020±.003]	△ 2	1742786-2
			PRE-TIN	1742786-1
	WIRE SIZE	MATING TAB THK	FINISH	PART NO.

THIS DRAWING IS A CONTROLLED DOCUMENT.		DWN jr_ruth 10MAR09	TE Connectivity		
DIMENSIONS: mm [INCHES]		CHK PETE_DESANTIS 10MAR09			
TOLERANCES UNLESS OTHERWISE SPECIFIED:		APVD PETE_DESANTIS 10MAR09	NAME RECEPTACLE, FASTON, 2.79 [.110] SERIES		
0 PLC ± - 1 PLC ± - 2 PLC ± 0.25 [.010] 3 PLC ± - 4 PLC ± - ANGLES ± 5°		PRODUCT SPEC -	RESTRICTED TO -		
MATERIAL BRASS		FINISH -	APPLICATION SPEC -	SIZE A3	CAGE CODE 00779
		WEIGHT 0.000000	DRAWING NO C-1742786	RECEIPTABLE, FASTON, 2.79 [.110] SERIES	
CUSTOMER DRAWING			SCALE 8:1	SHEET 1 OF 1	REV B2