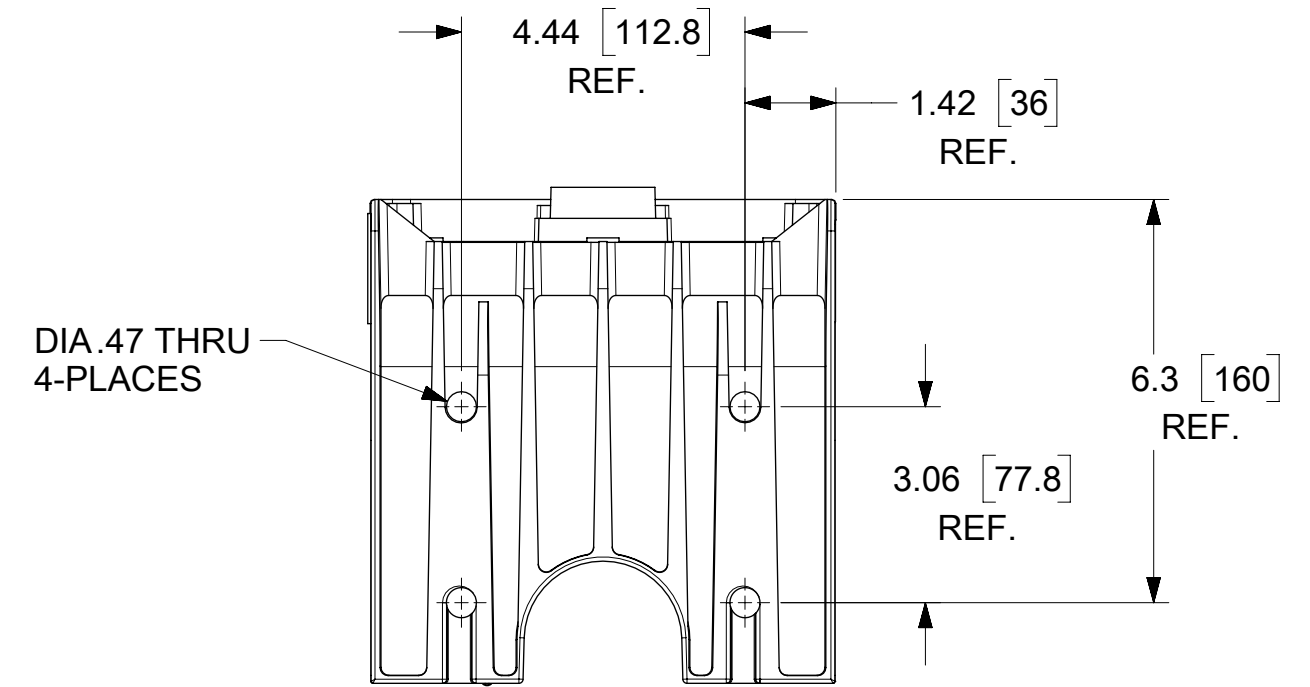
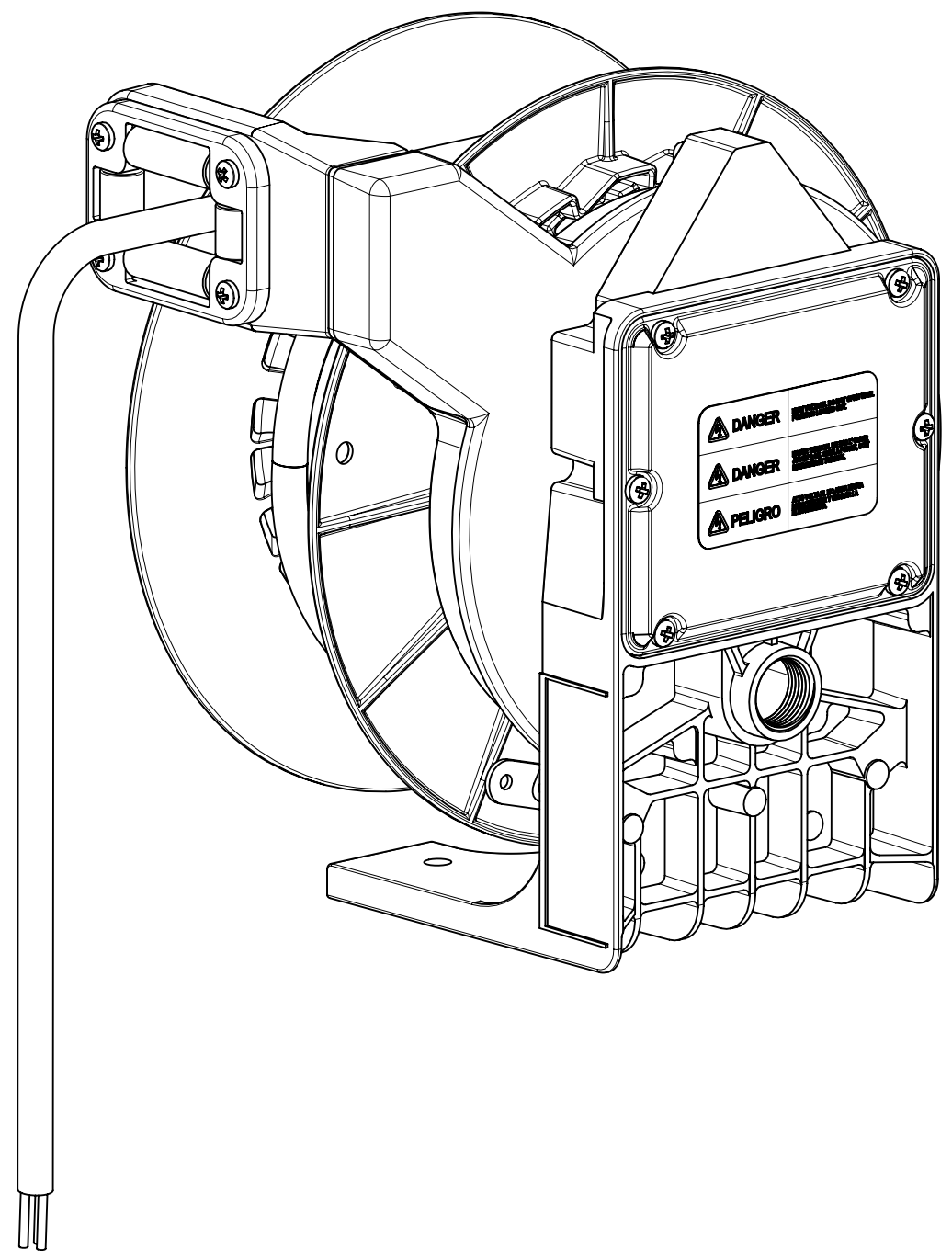
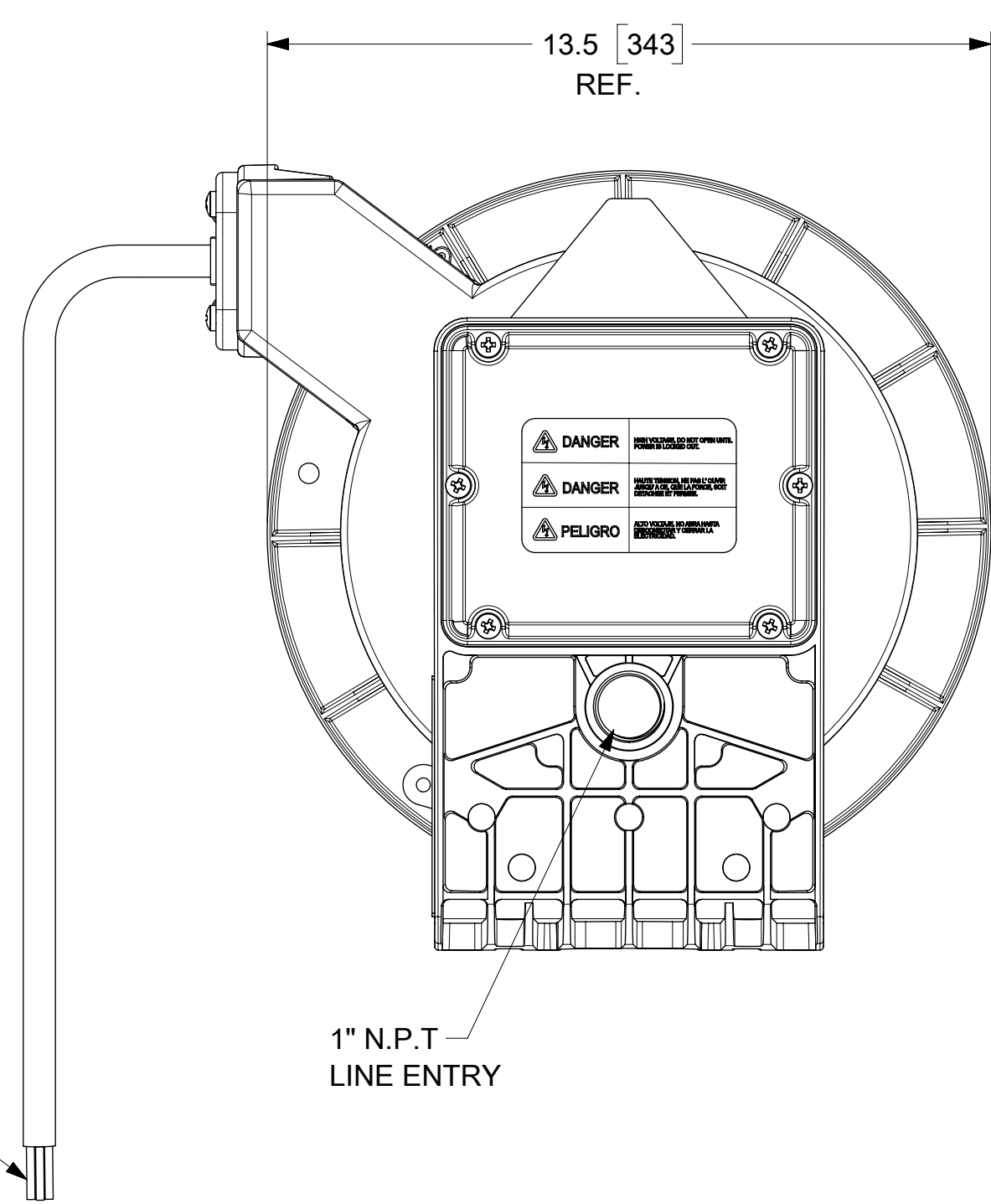
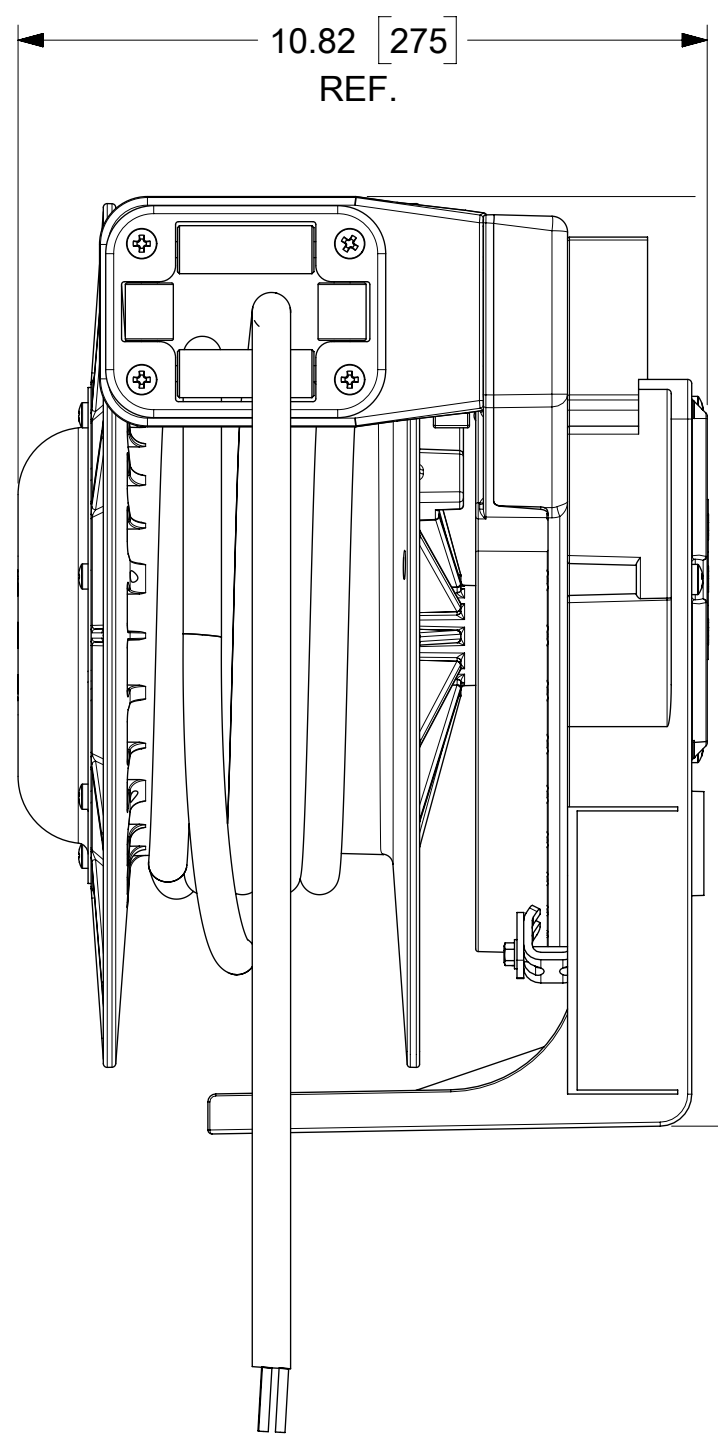


ORDER NO	130083-0237
WOODHEAD ENG. NO	92463
WIRE GAUGE	12
CONDUCTORS	6
AMPERAGE	14A
WORKING CORD	30 FT. BLACK
CORD TYPE	SOOW
CONSTRUCTION	HEAVY WALL CAST ALUMINUM
PAINT	YELLOW POWDER COAT
REEL ENCLOSURE RATING	NEMA 4 INDOOR / OUTDOOR
RETRACTION WEIGHT	4.0 LB [1.8 KG]



**BOTTOM VIEW**

**NOTES:**

1. CABLE GUIDE IS ADJUSTABLE EVERY 5 DEGREES OVER 270 DEGREE ARC.
2. RATCHET LOCK IS EASY TO DISENGAGE FOR CONSTANT TENSION.
3. REEL CANNOT BE "LOCKED OUT" AT FULL EXTENSION.

FUNCTIONAL SYMBOLS	THIS DRAWING CONTAINS INFORMATION THAT IS PROPRIETARY TO MOLEX ELECTRONIC TECHNOLOGIES, LLC AND SHOULD NOT BE USED WITHOUT WRITTEN PERMISSION			CURRENT REV DESC: RELEASE CUSTOMER DRAWING								
	DIMENSION UNITS	SCALE										
$\frac{F}{A} = 0$	INCH/MM	NTS		GENERAL TOLERANCES (UNLESS SPECIFIED)			<b>CABLE REEL - INDUSTRIAL DUTY 30' #12-6 SOOW</b>					
$\frac{F}{C} = 0$		MM	INCH									
$\frac{F}{D} = 0$	4 PLACES	±	±	EC NO: 674250 DRWN: VHANDI 2020/07/17 CHK'D: DSOPPIN 2022/05/11 APPR: HKNEELAND 2022/05/13			PRODUCT CUSTOMER DRAWING					
DIVISIONAL SYMBOLS	3 PLACES	±	± 0.005									
	2 PLACES	± 0.13	± 0.01	INITIAL REVISION: DRWN: VHANDI 2020/07/17 APPR: HKNEELAND 2022/05/13			DOCUMENT NUMBER <b>1300830237</b>			DOC TYPE <b>PSD</b>	DOC PART <b>000</b>	REVISION <b>A</b>
	1 PLACE	± 0.25	± 0.02									
	0 PLACES	±	±	THIRD ANGLE PROJECTION 			MATERIAL NUMBER <b>SEE TABLE</b>			CUSTOMER <b>GENERAL MARKET</b>		SHEET NUMBER <b>1 OF 1</b>
	ANGULAR TOL	± 0.5°										
	DRAFT WHERE APPLICABLE MUST REMAIN WITHIN DIMENSIONS			C-SIZE	SERIES	130083	SEE TABLE	GENERAL MARKET		1 OF 1		