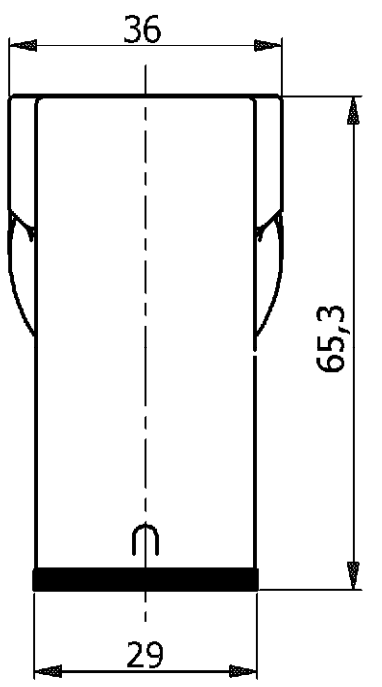
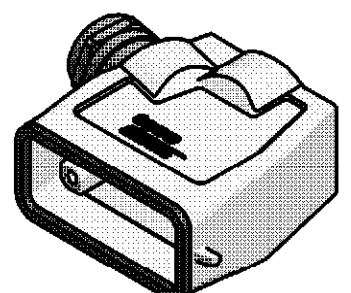
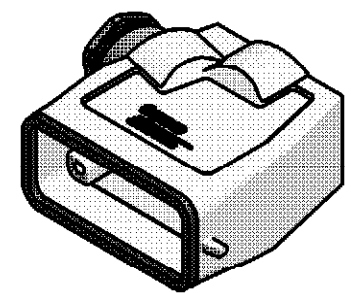


PN:1-7 as shown



NOTES

- 1 PACKAGING QUANTITY: 5 PIECES PER BOX
- 2 MATERIAL: HOUSING: ALUMINIUM DIE CAST ALLOY
SEALS: NEPRENE
- 3 SURFACE: VARNISH GREY
ALUMINIUM OXIDE +
VARNISH BLACK
- 4 VARNISH ON THE INSIDE NOT NECESSARY



PN:1-7
Ordering Text:
HD.15.STS.1.16

PN:2-7
Ordering Text:
HD-K.15.STS.1.16

1	2	3	3	5	PG 16		
1	Gland Fitting	Brass	Nickel Plated	Blue	PG 16		
-	Cable Fitting Round	Brass	Nickel Plated	Blue	PG 16		
1	Profile Seal	Neoprene	-	Black	-		
1	Hood	Aluminium	Aluminium oxide	Black	-		
-	Hood	Aluminium	-	Grey	-		
2-7	1-7	DESCRIPTION	MATERIAL	SURFACE	COLOR	ITEM NO.	REMARKS

THIS DRAWING IS A CONTROLLED DOCUMENT FOR AMP INCORPORATED. IT IS SUBJECT TO CHANGE AND THE CONTROLLING ENGINEERING ORGANIZATION SHOULD BE CONTACTED FOR THE LATEST REVISION. DIESSES ZEICHNUNGSDOKUMENT WIRD DURCH AMP INCORPORATED KONTROLLIERT. AENDERUNGEN, DIE DEM TECHNISCHEN FORTSCHRITT DIENEN, SIND VORGEHALTEN. DEN JEWELIS LETZTGUELTIGEN AENDERUNGSSTAND ERFAHREN SIE AUF ANFRAGE.	
DIMENSIONS: DIMENSIONEN: mm	TOLERANCES UNLESS OTHERWISE SPECIFIED: ALLGEMEINTOLERANZEN n. ISO 8015 - mH-E n. ISO 2768 - 140 n. DIN 16901- 0 PLC # 1 PLC # 2 PLC # 3 PLC # ANGLES / WINKEL #
MATERIAL	FINISH / OBERFLAECHE / FARBE
2	3

DWN	R.SRINIVAS	5/3/2006				
CHK	R.SRINIVAS	5/3/2006				
APVD	T.SCHNURPFEIL	5/3/2006				
PRODUCT SPEC. / PRODUKTSPEZ.	108-74001;-74003					
APPLICATION SPEC. / VERARBEITUNGSSPEZ.	114-74004		NAME	HOOD		
			SIZE	HD.15.STS.1.16		RESTRICTED TO NUR FUER
WEIGHT / GEWICHT	A3	00779	DRAWING NO. / ZEICHNUNGS-NR.	1102425		
CUSTOMER DRAWING / KUNDENZEICHNUNG			SCALE / MASSSTAB	1:1	SHEET / BLATT	1 OF / VON 1
					REV.	B2

Z:\HIS\EGGMA05416\HD_15\ASSEMBLY\COPY\1102425_01.dwg