

## EDGE LIGHT LED SIGN MODULES

ZM-6223-CW



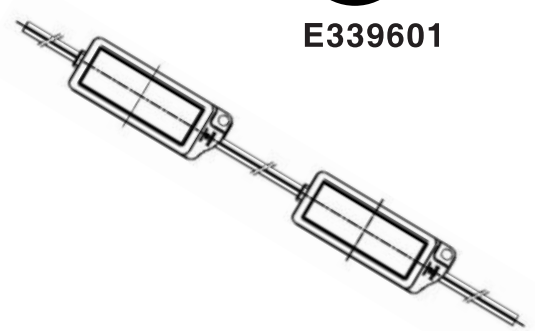
### ZM Edgelight Series:

ZM-6223-CW Edge Light LED Sign Module

- Low Voltage - 24VDC
- Cool White - 6500 K
- UL Listed
- IP67 Water Resistant
- Max. 30 modules in series
- Dual 70° & 18° lens

### Accessories:

- ZDM-01 Dimmer
  - ZPS-20
  - ZPS-2435
  - ZPS-2460
- 24 Volt Power Supply



### APPLICATIONS

These ZM Edgelight LED Channel Lights are most commonly used in signs requiring edgelighting, especially those with limited space for backlighting. They are well suited for both fluorescent and neon retrofitting as well as for new projects.

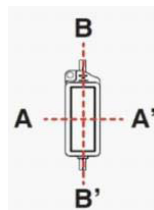
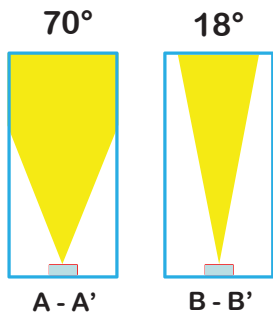
### PLACEMENT & INSTALLATION

Up to 30 modules of the ZM-6223 can be powered in series and a standard strand provides a continuous 12' of lighting. Longer segments can be achieved with additional wiring. The ZM-6223 is designed for edge lighting and is intended for installation on the inner top and/or bottom edge of a recessed sign box. Each module has a lens which directs the light into an 18° x 70° beam to provide excellent coverage for rectangular and linear signs.

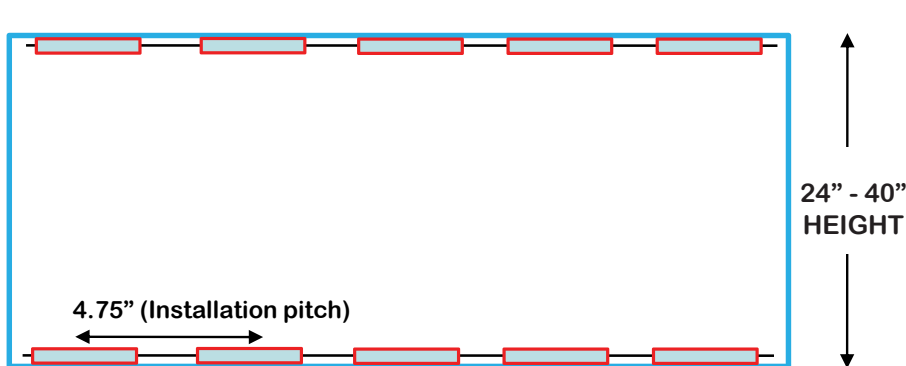
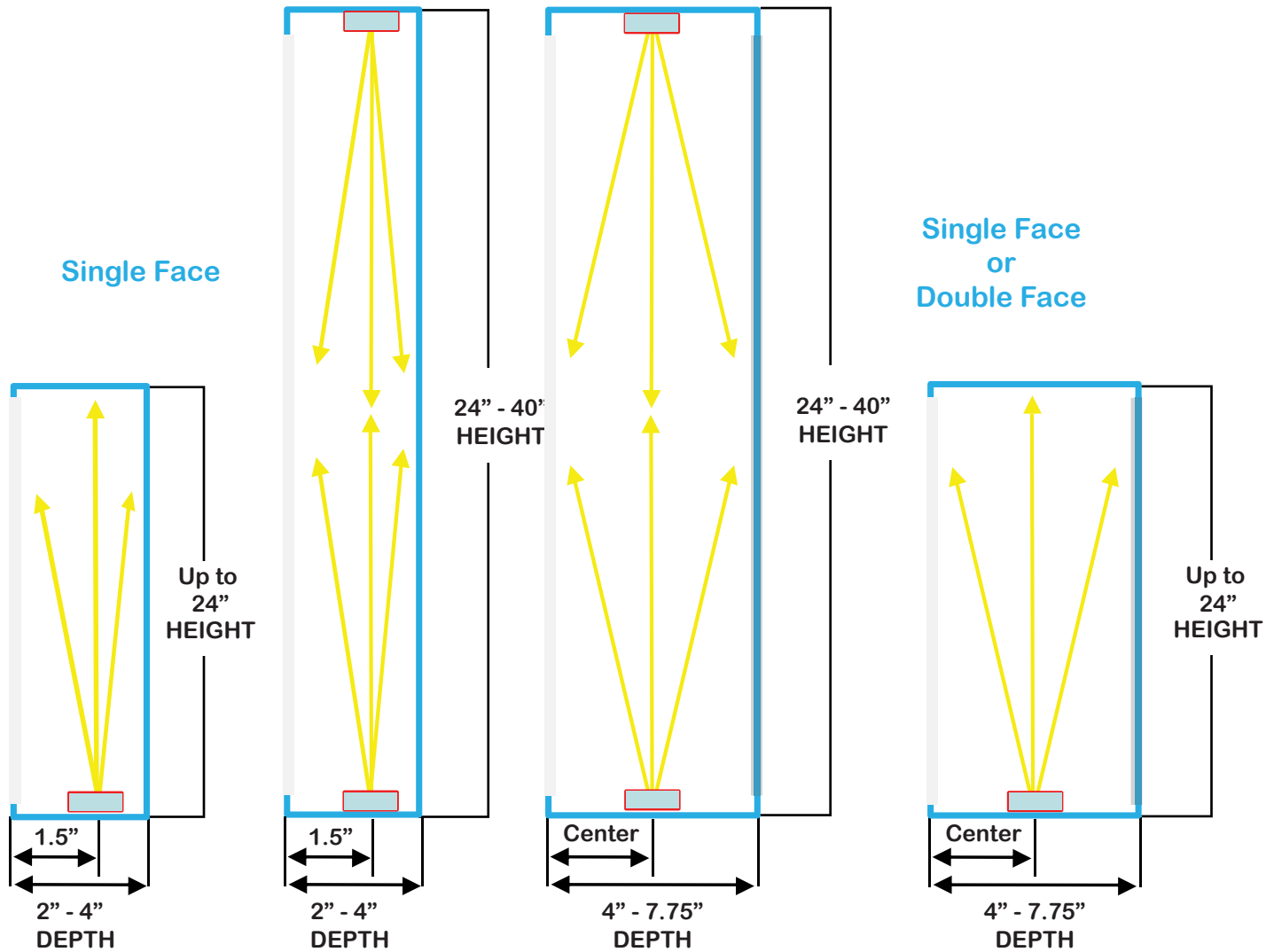
The ideal depth range for using the ZM-6223 modules is between 2" and 7.75". Smaller signs can be lit with only 1 row of LEDs while signs over 2' work best with both top and bottom rows installed.

Diagrams on the following page give installation guidelines for module placement and sign box dimensions.

Additional technical details can be found on the spec sheet on our website: <https://www.jkllamps.com/pdfs/ZM-6223-CW.pdf>



## EDGELIGHT LED SIGN MODULES PLACEMENT & INSTALLATION GUIDELINES



Recommended depth range of box: 2" - 7.75"