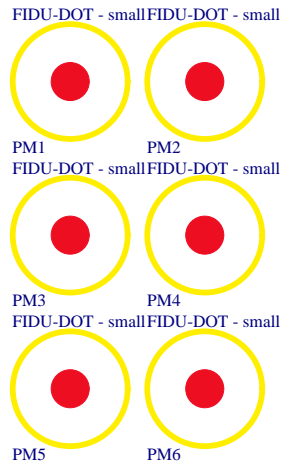
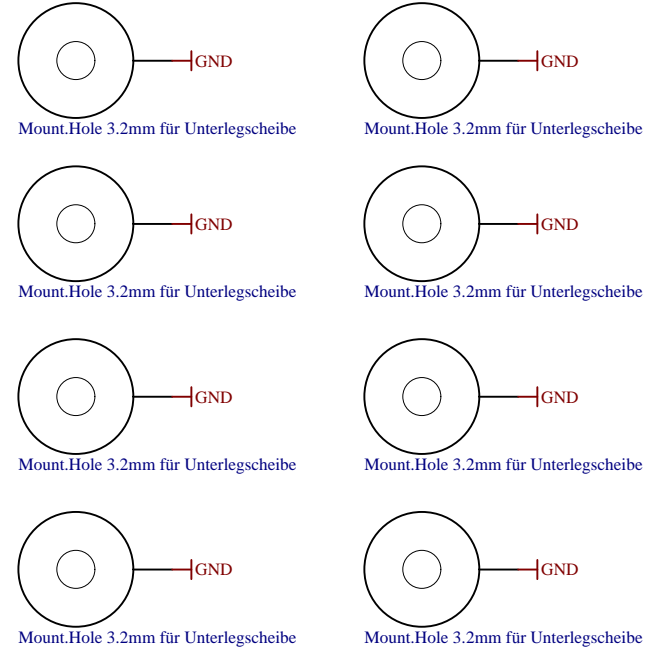


U_J1 J1.SchDoc	U_B_PS_GT B_PS_GT.SchDoc	U_DDR4-TERM DDR4-TERM.SchDoc
U_J2 J2.SchDoc	U_PS_DDR PS_DDR.SchDoc	U_ZU_POWER ZU_POWER.SchDoc
U_J3 J3.SchDoc	U_B_MIO B_MIO.SchDoc	U_ZU_PS_POWER ZU_PS_POWER.SchDoc
U_J4 J4.SchDoc	U_B_HD B_HD.SchDoc	U_POWER POWER.SchDoc
U_DDR4-TERM DDR4-TERM.SchDoc	U_Clock Clock.SchDoc	U_POWER_2 POWER_2.SchDoc
U_B64 B64.SchDoc	U_CONFIG CONFIG.SchDoc	U_POWER_3 POWER_3.SchDoc
U_B65 B65.SchDoc	U_DDR4-RAM DDR4-RAM.SchDoc	U_POWER_4 POWER_4.SchDoc
U_B66 B66.SchDoc	U_DDR4-RAM_2 DDR4-RAM_2.SchDoc	
U_B_GT B_GT.SchDoc	U_DDR4-RAM_3 DDR4-RAM_3.SchDoc	
U_B_GT_2 B_GT_2.SchDoc	U_DDR4-RAM_4 DDR4-RAM_4.SchDoc	

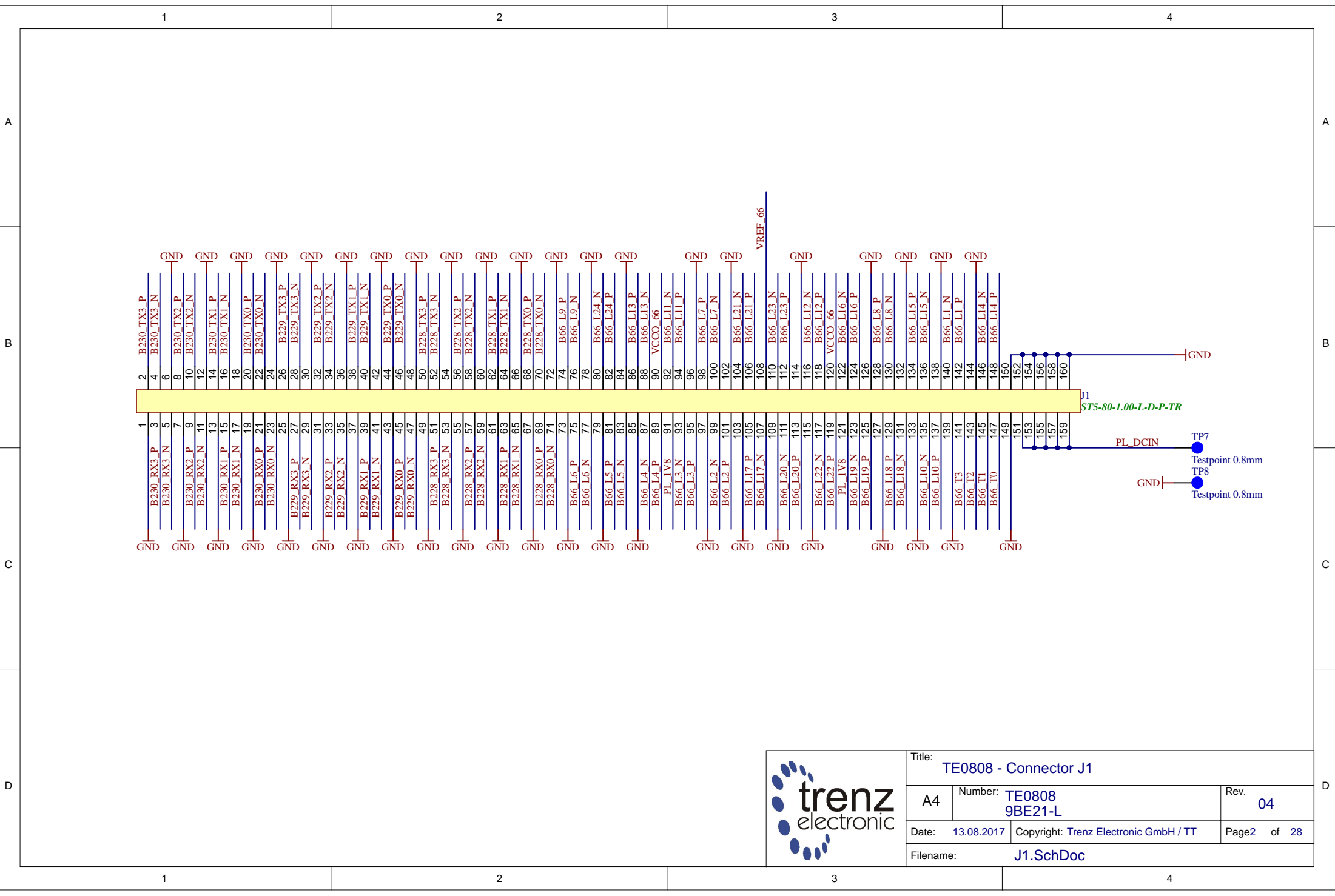


LOGO1  
TE Logo PRINT Layer  
LOGO PRINT

Serial  
Serial  
Serialnumber 6,3 x 6.3mm

Assembly variant	9BE21-L
Created by	VY
Modified by	VY
Modified at	2019-07-08
SVN Revision	8500

Title: TE0808		
A4	Number: TE0808 9BE21-L	Rev. 04
Date: 13.08.2017	Copyright: Trenz Electronic GmbH / TT	Page1 of 28
Filename: TE0808.SchDoc		



Title: TE0808 - Connector J1		
A4	Number: TE0808 9BE21-L	Rev. 04
Date: 13.08.2017	Copyright: Trenz Electronic GmbH / TT	Page2 of 28
Filename: J1.SchDoc		

1

2

3

4

A

A

B

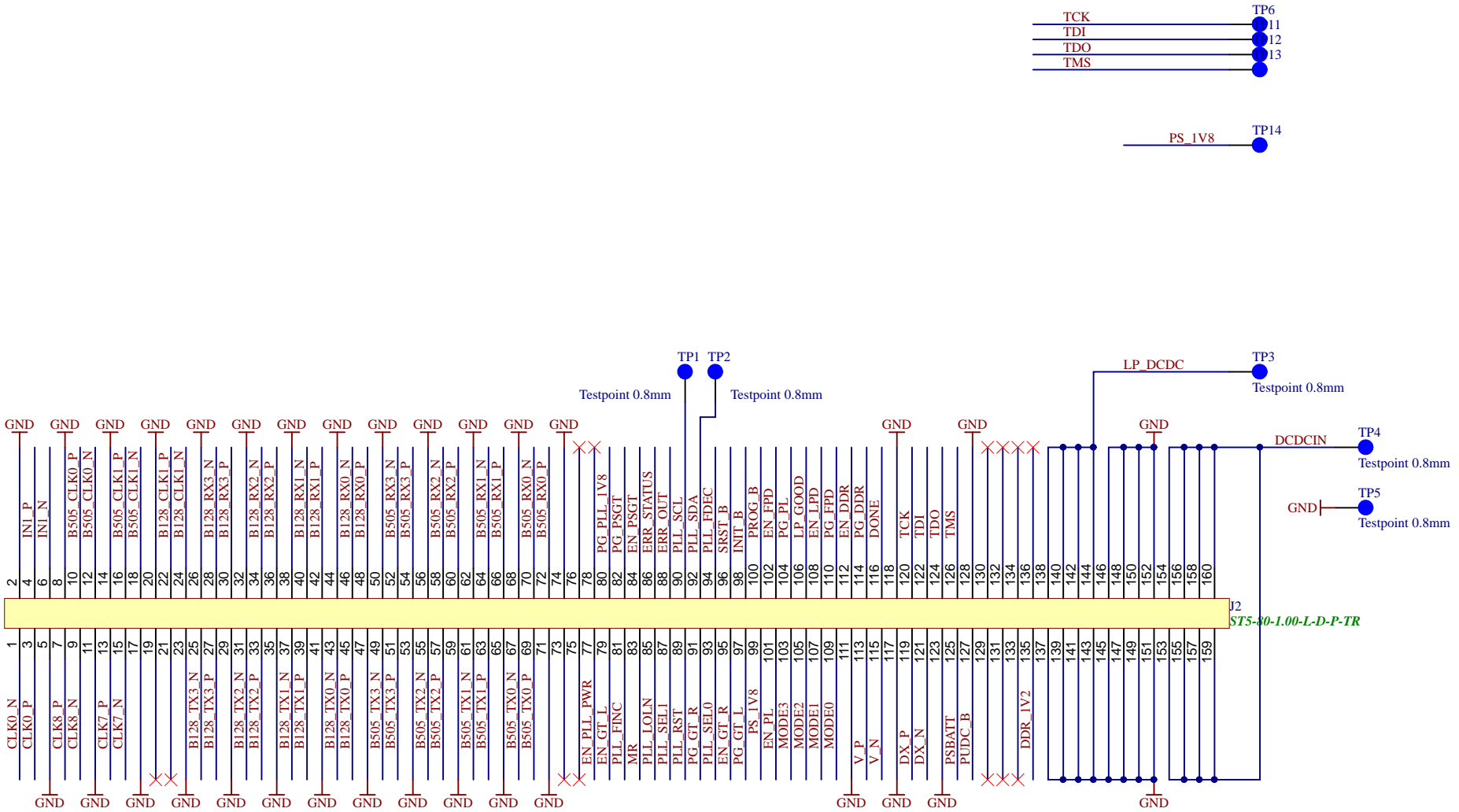
B

C

C

D

D



Title: TE0808 - Connector J2		
A4	Number: TE0808 9BE21-L	Rev. 04
Date: 13.08.2017	Copyright: Trenz Electronic GmbH / TT	Page3 of 28
Filename: J2.SchDoc		

1

2

3

4

1

2

3

4

A

A

B

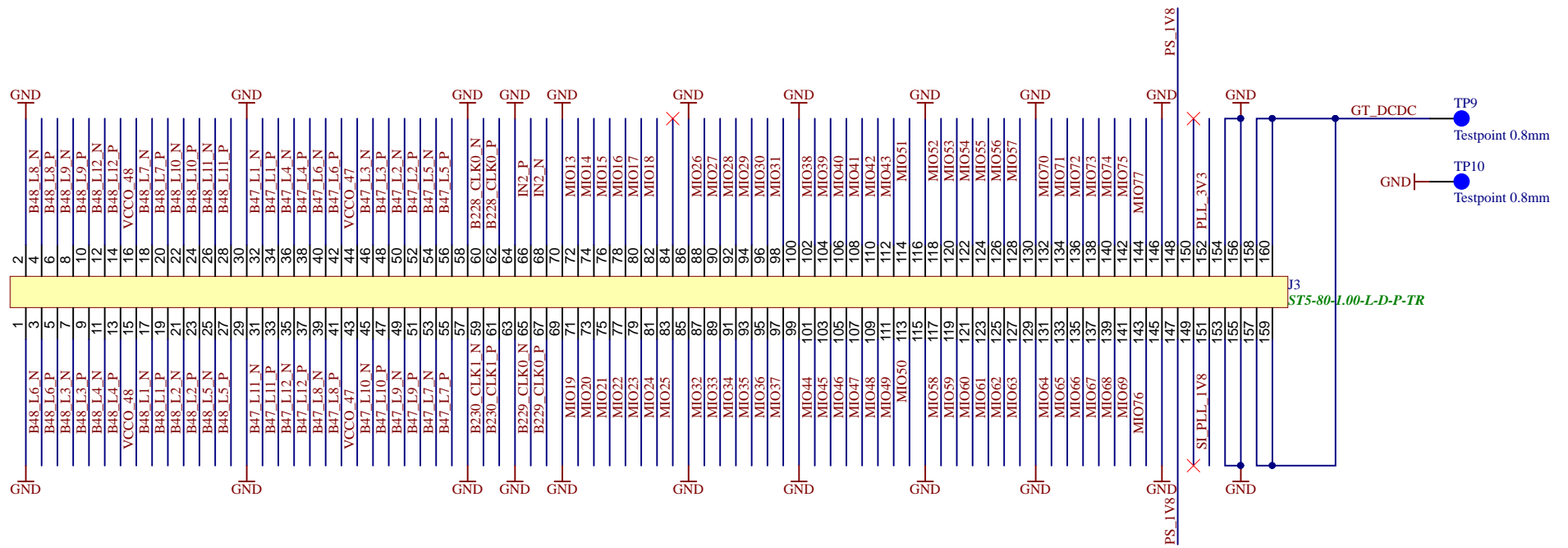
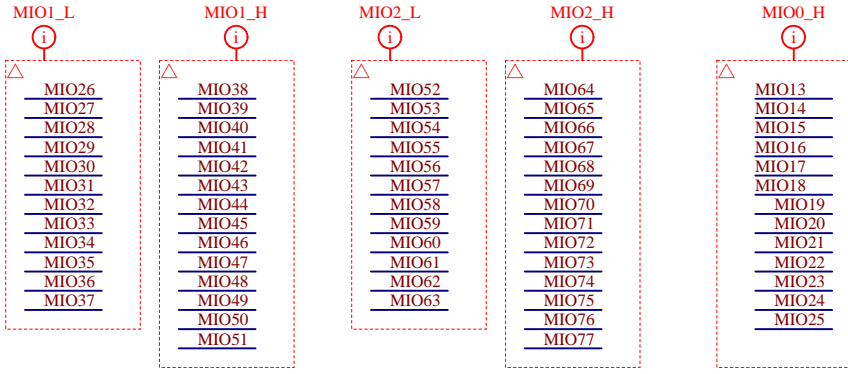
B

C

C

D

D



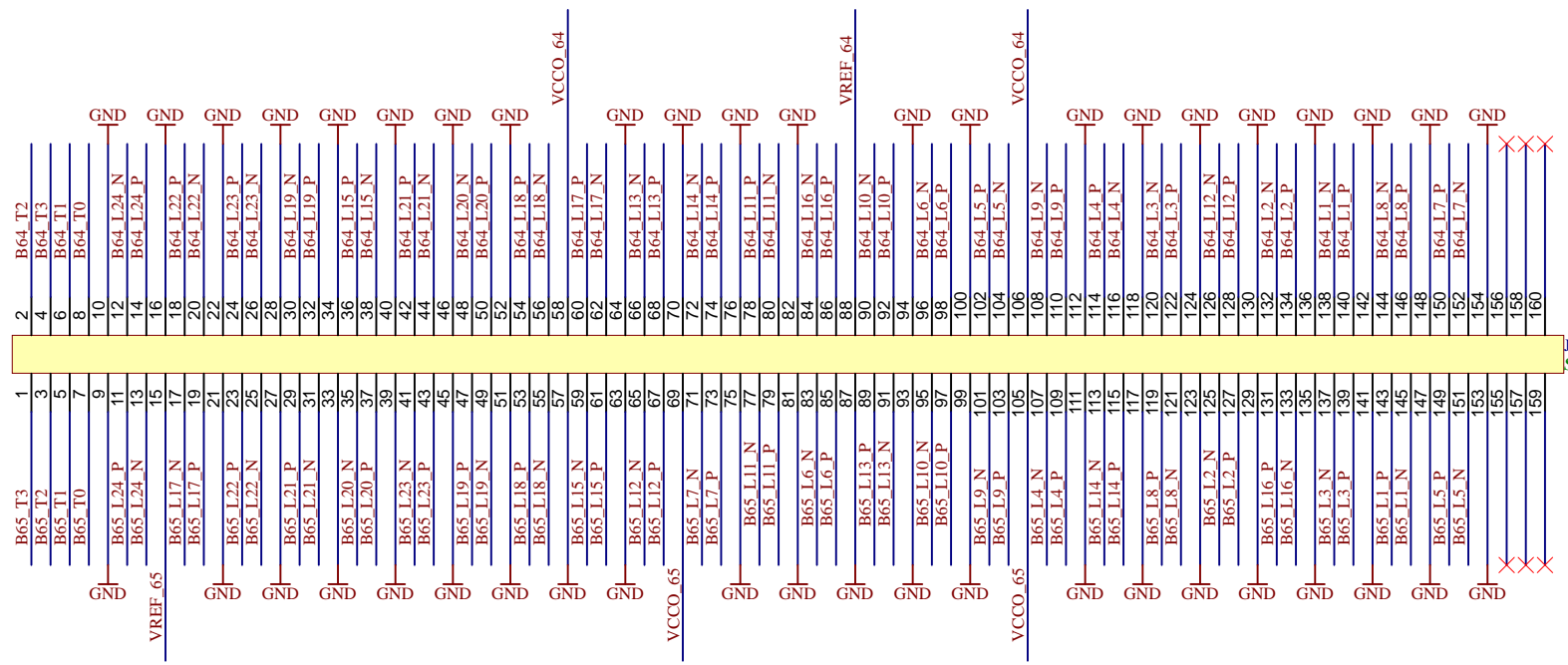
Title: TE0808 - Connector J3		
A4	Number: TE0808 9BE21-L	Rev. 04
Date: 13.08.2017	Copyright: Trenz Electronic GmbH / TT	Page4 of 28
Filename: J3.SchDoc		

1

2

3

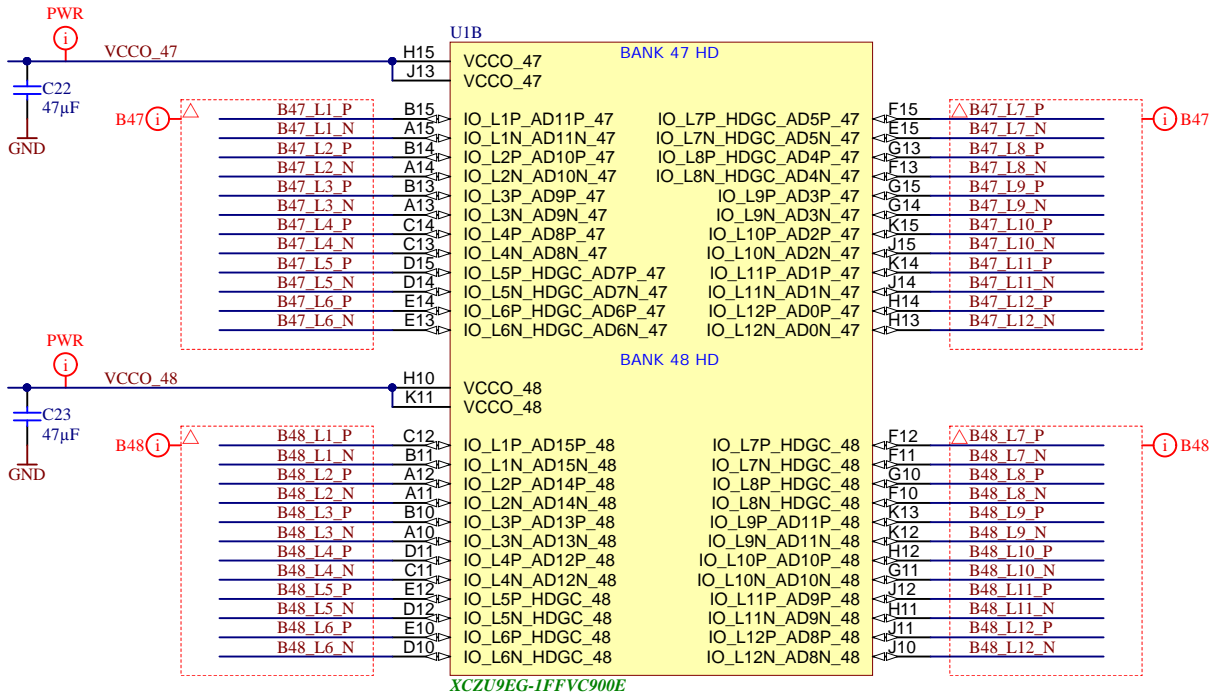
4



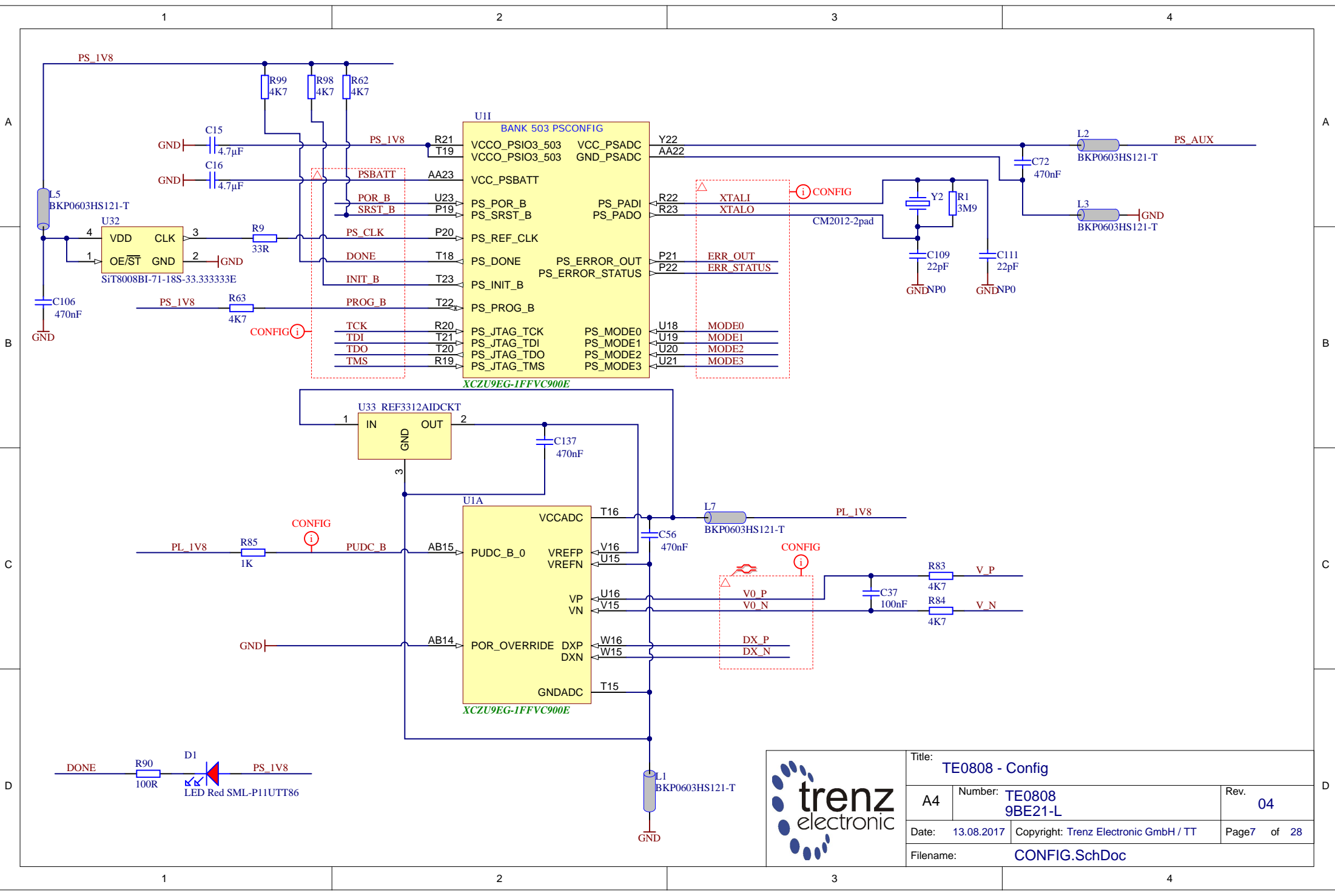
J4  
ST5-80-1.00-L-D-P-TR



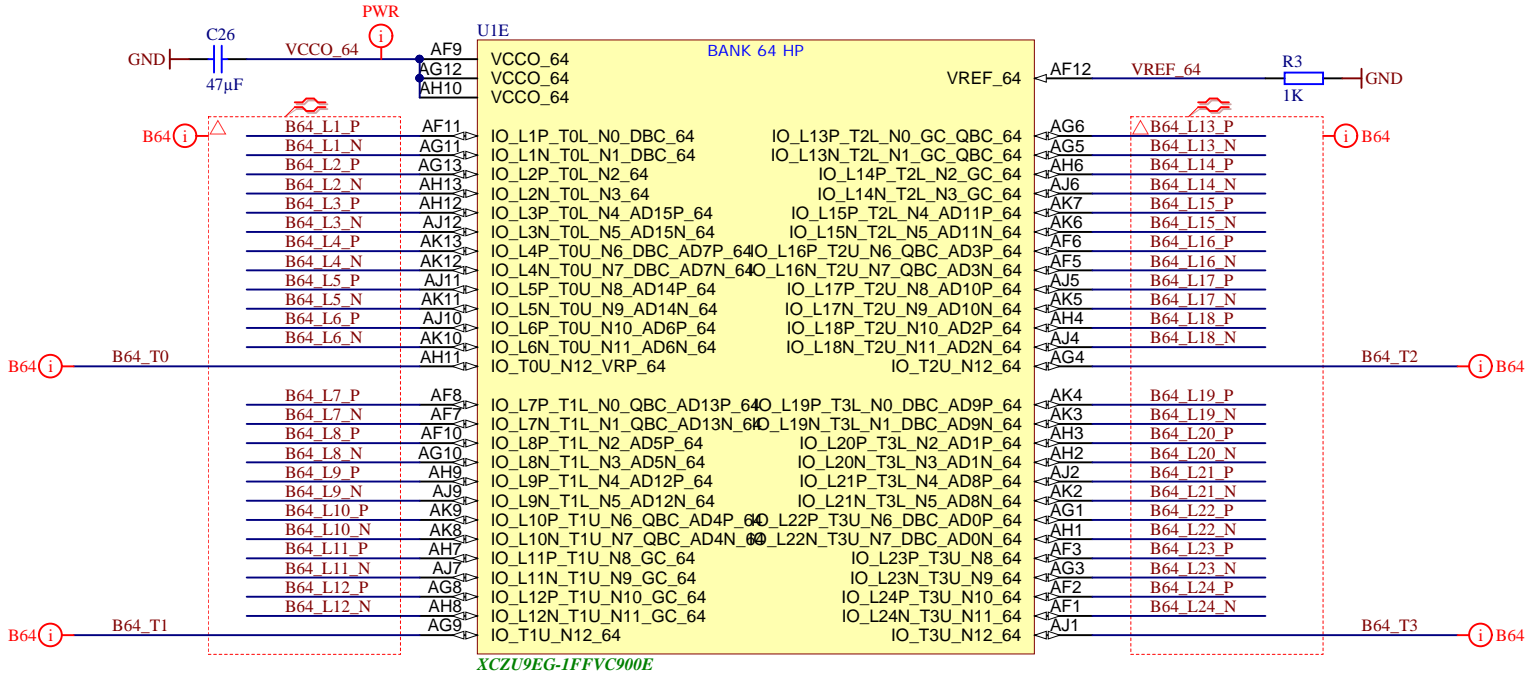
Title: TE0808 - Connector J4		
A4	Number: TE0808 9BE21-L	Rev. 04
Date: 13.08.2017	Copyright: Trenz Electronic GmbH / TT	Page5 of 28
Filename: J4.SchDoc		



Title: TE0808 - B47HD and B48HD		
A4	Number: TE0808 9BE21-L	Rev. 04
Date: 13.08.2017	Copyright: Trenz Electronic GmbH / TT	Page6 of 28
Filename: B_HD.SchDoc		

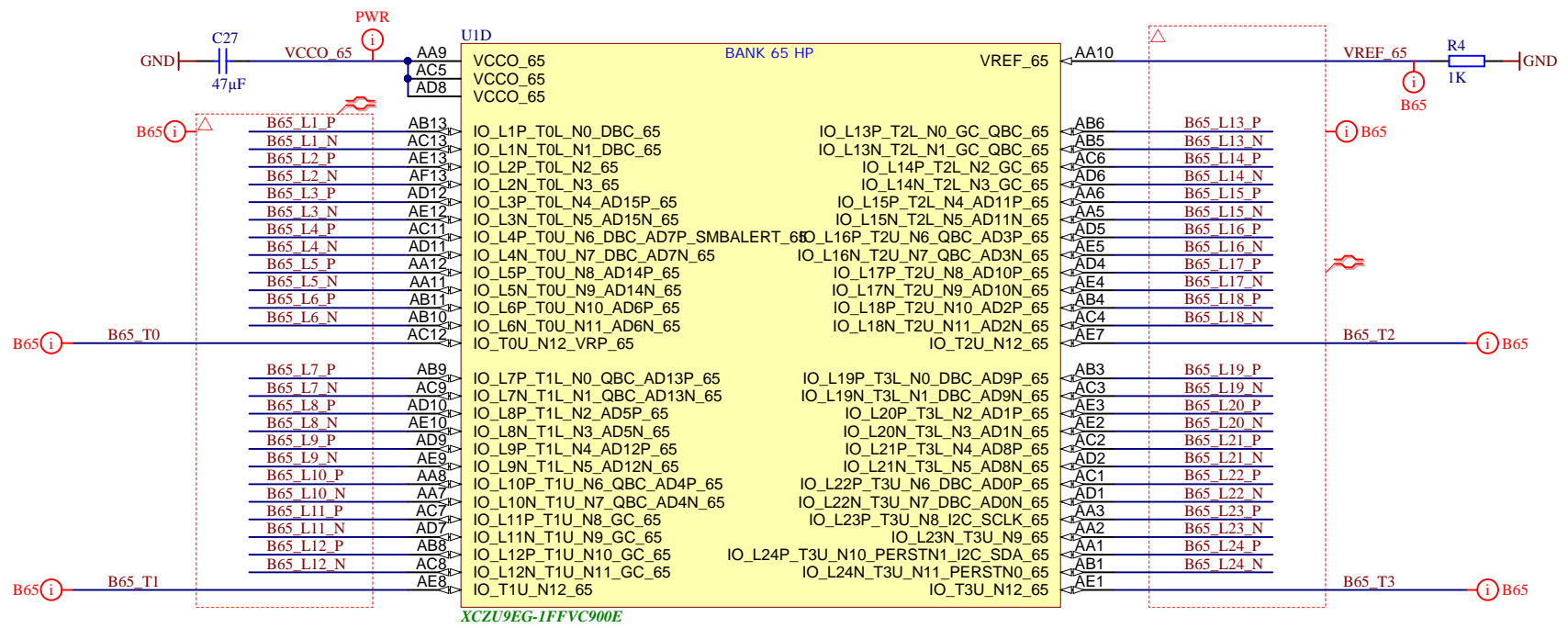


Title: TE0808 - Config		
A4	Number: TE0808 9BE21-L	Rev. 04
Date: 13.08.2017	Copyright: Trenz Electronic GmbH / TT	Page 7 of 28
Filename: CONFIG.SchDoc		

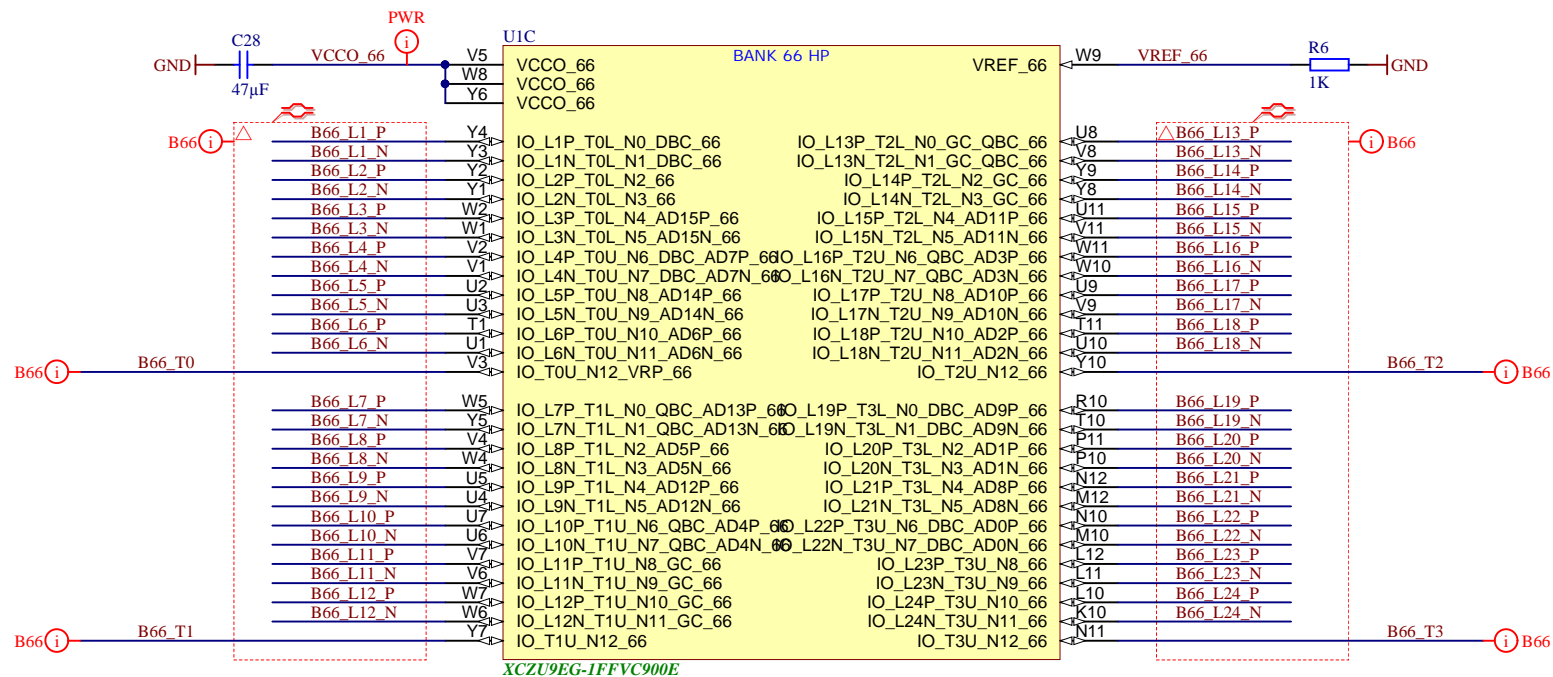


Title: <b>TE0808 - B64</b>		
A4	Number: <b>TE0808 9BE21-L</b>	Rev. <b>04</b>
Date: <b>13.08.2017</b>	Copyright: <b>Trenz Electronic GmbH / TT</b>	Page <b>8</b> of <b>28</b>
Filename: <b>B64.SchDoc</b>		

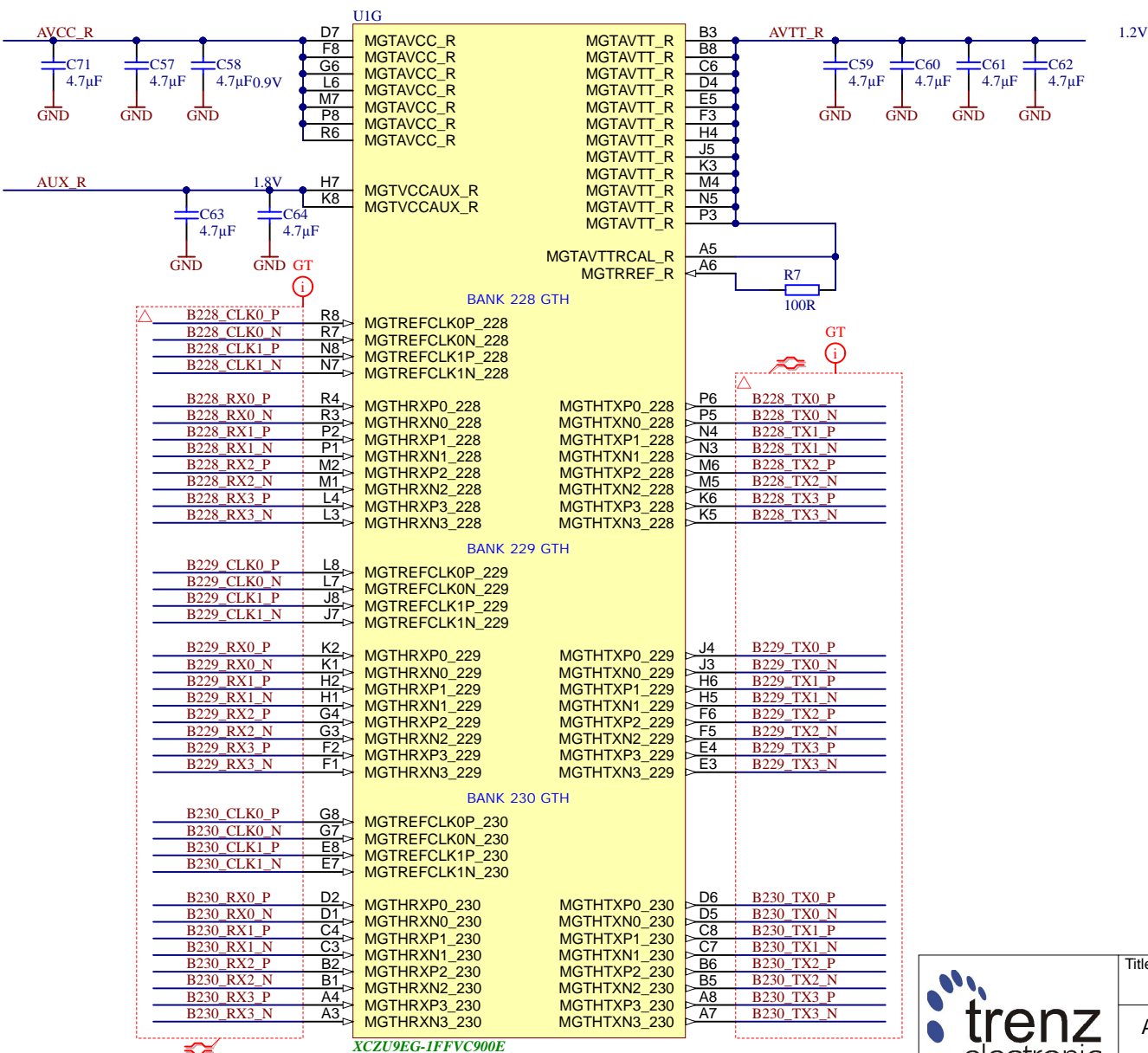




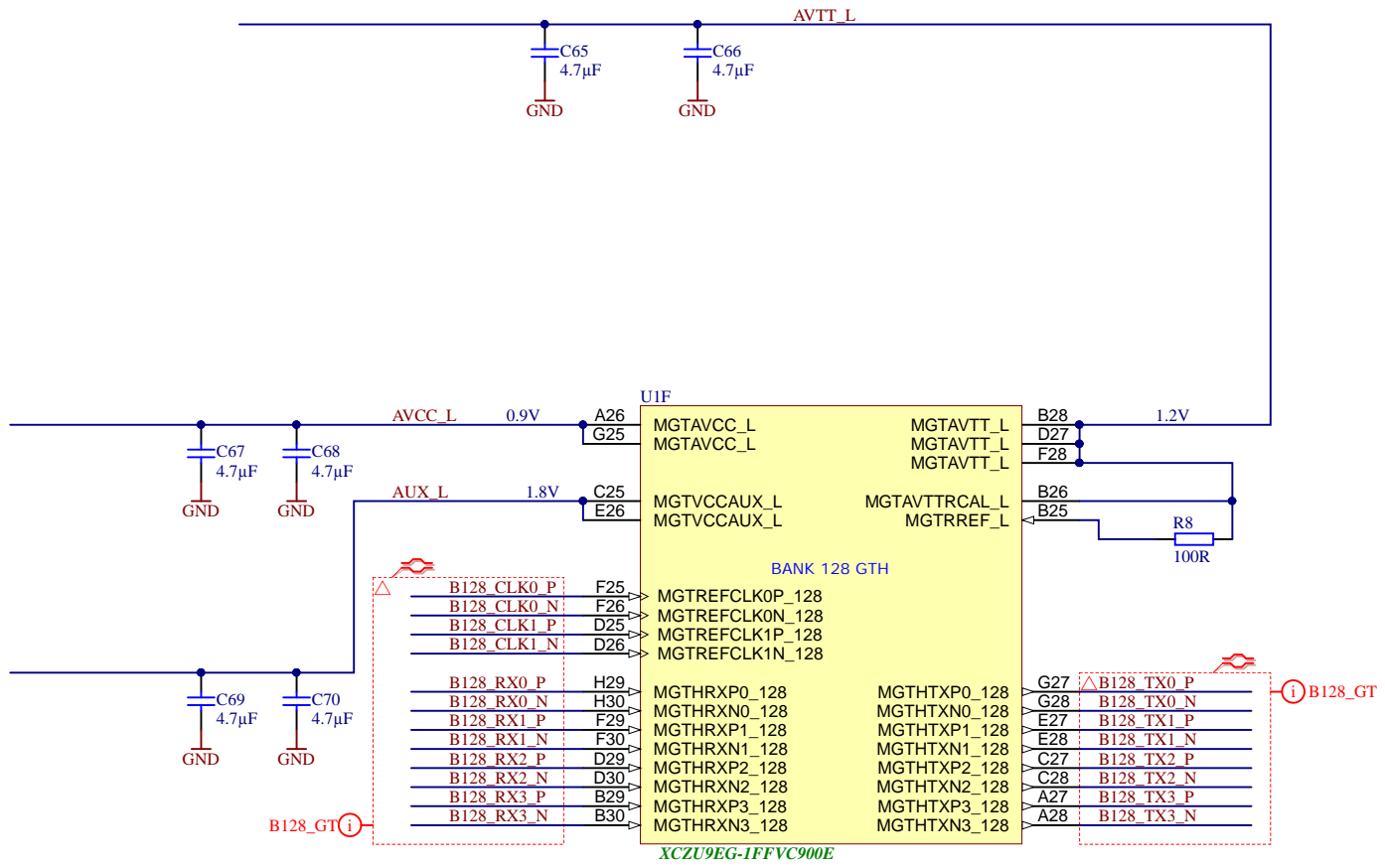
Title: <b>TE0808 - B65</b>		
A4	Number: <b>TE0808 9BE21-L</b>	Rev. <b>04</b>
Date: <b>13.08.2017</b>	Copyright: <b>Trenz Electronic GmbH / TT</b>	Page <b>9</b> of <b>28</b>
Filename: <b>B65.SchDoc</b>		



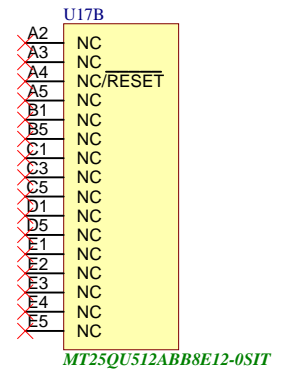
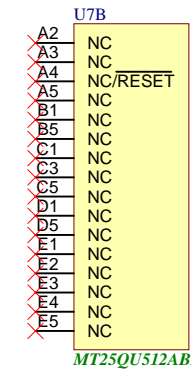
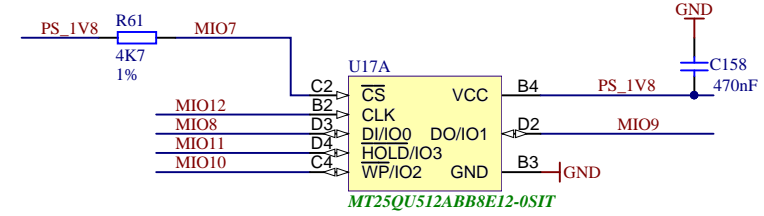
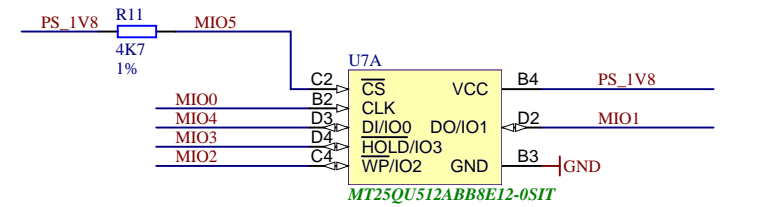
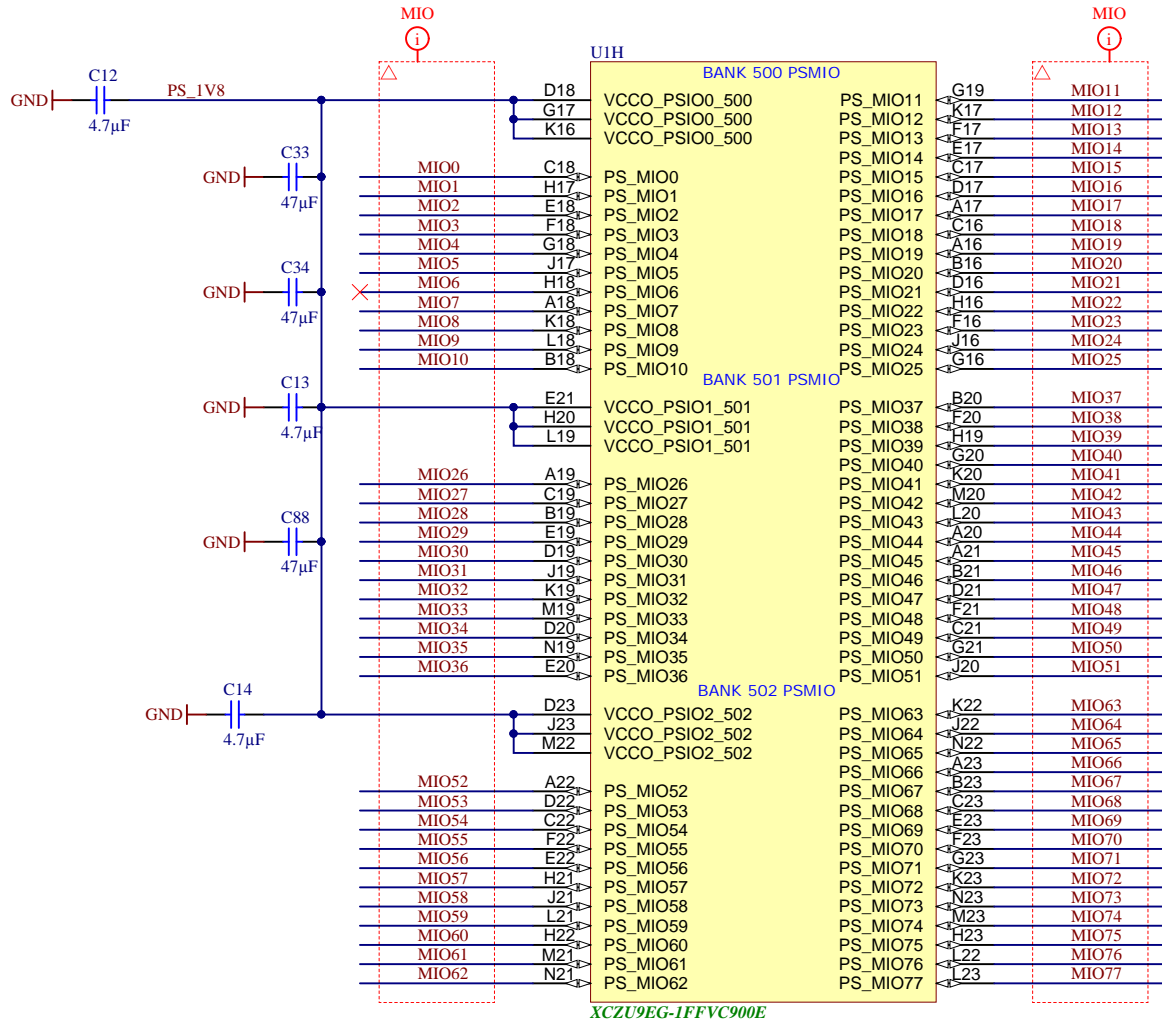
Title: <b>TE0808 - B66</b>		
A4	Number: <b>TE0808 9BE21-L</b>	Rev. <b>04</b>
Date: <b>13.08.2017</b>	Copyright: <b>Trenz Electronic GmbH / TT</b>	Page <b>10</b> of <b>28</b>
Filename: <b>B66.SchDoc</b>		



Title: <b>TE0808 - B228GTH_B229GTH_B230GTH</b>		
A4	Number: <b>TE0808 9BE21-L</b>	Rev. <b>04</b>
Date: <b>13.08.2017</b>	Copyright: <b>Trenz Electronic GmbH / TT</b>	Page <b>11</b> of <b>28</b>
Filename: <b>B_GT.SchDoc</b>		



	Title: TE0808 - B128GTH		
	A4	Number: TE0808 9BE21-L	Rev. 04
	Date: 13.08.2017	Copyright: Trenz Electronic GmbH / TT	Page 12 of 28
	Filename: B_GT_2.SchDoc		



	Title: <b>TE0808 - MIO Banks</b>		
	A4	Number: <b>TE0808 9BE21-L</b>	Rev. <b>04</b>
	Date: <b>13.08.2017</b>	Copyright: <b>Trenz Electronic GmbH / TT</b>	Page <b>13</b> of <b>28</b>
	Filename: <b>B_MIO.SchDoc</b>		

1

2

3

4

A

A

B

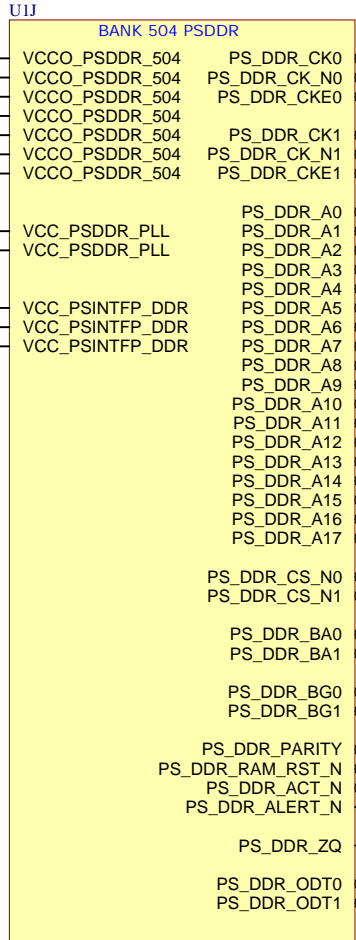
B

C

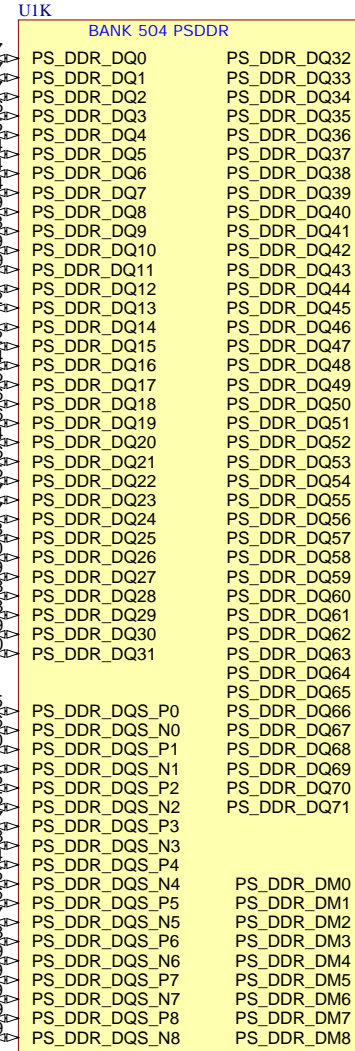
C

D

D



XCZU9EG-1FFVC900E



XCZU9EG-1FFVC900E

Title: **TE0808 - PS\_DDR**

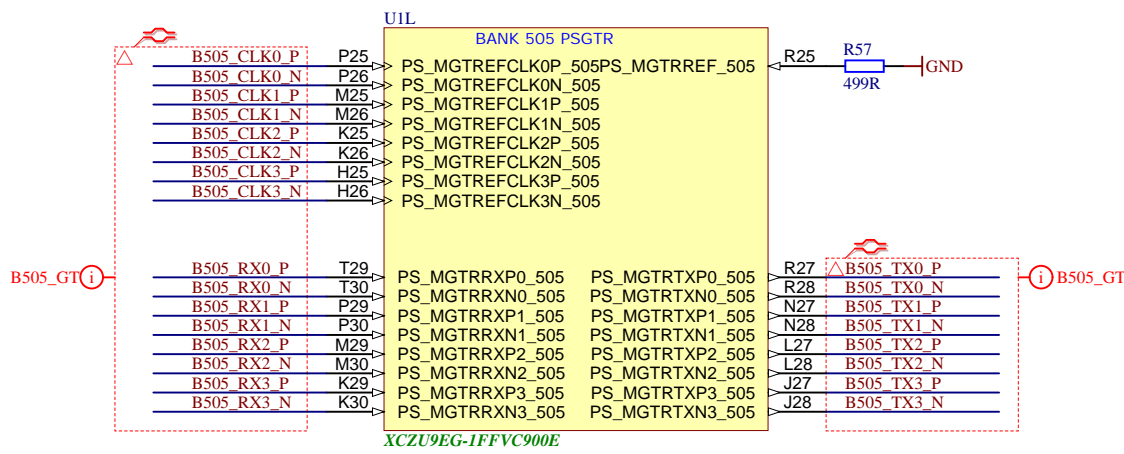
A4	Number: <b>TE0808 9BE21-L</b>	Rev. <b>04</b>
Date: <b>13.08.2017</b>	Copyright: <b>Trenz Electronic GmbH / TT</b>	Page <b>14</b> of <b>28</b>
Filename: <b>PS_DDR.SchDoc</b>		


1

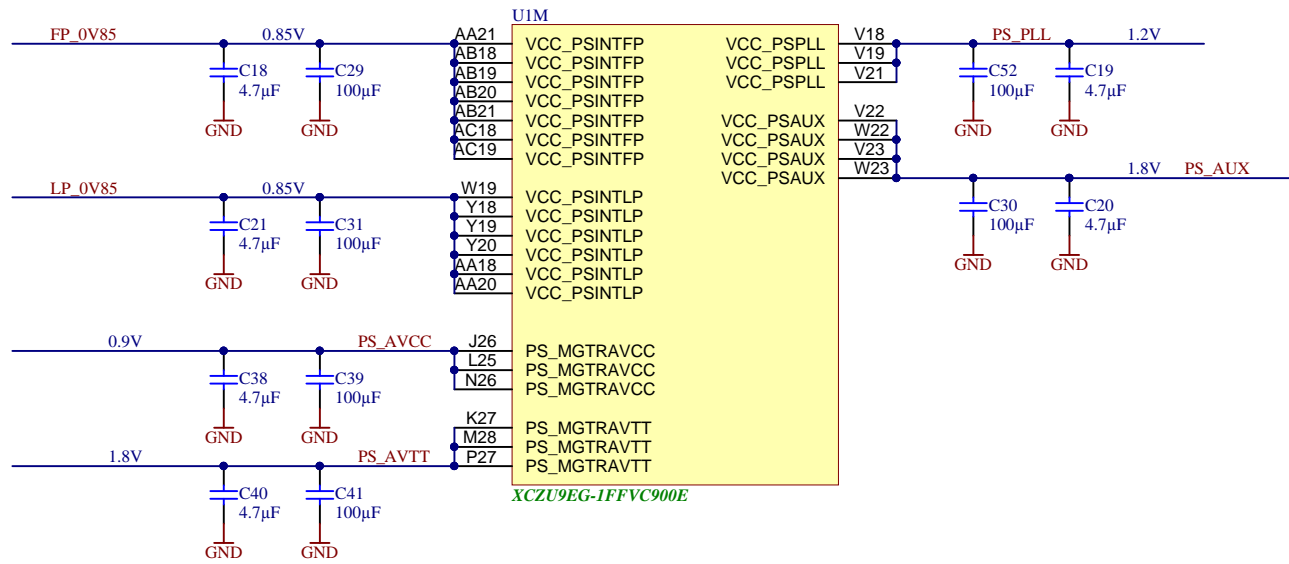
2

3

4




	Title: TE0808 - PS_GT		
	A4	Number: TE0808 9BE21-L	Rev. 04
	Date: 13.08.2017	Copyright: Trenz Electronic GmbH / TT	Page 15 of 28
	Filename: B_PS_GT.SchDoc		



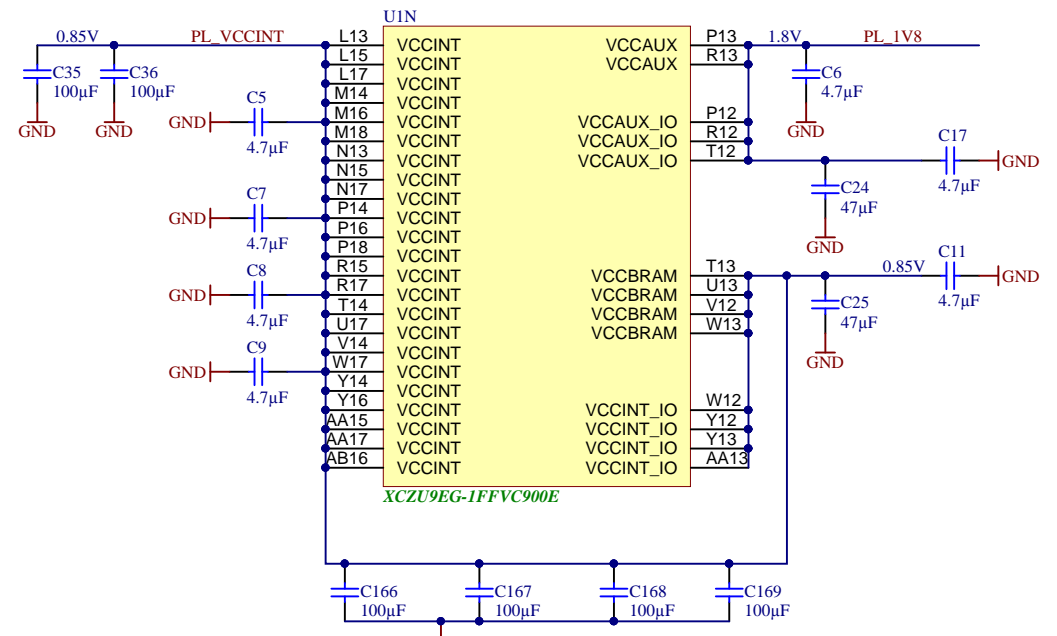
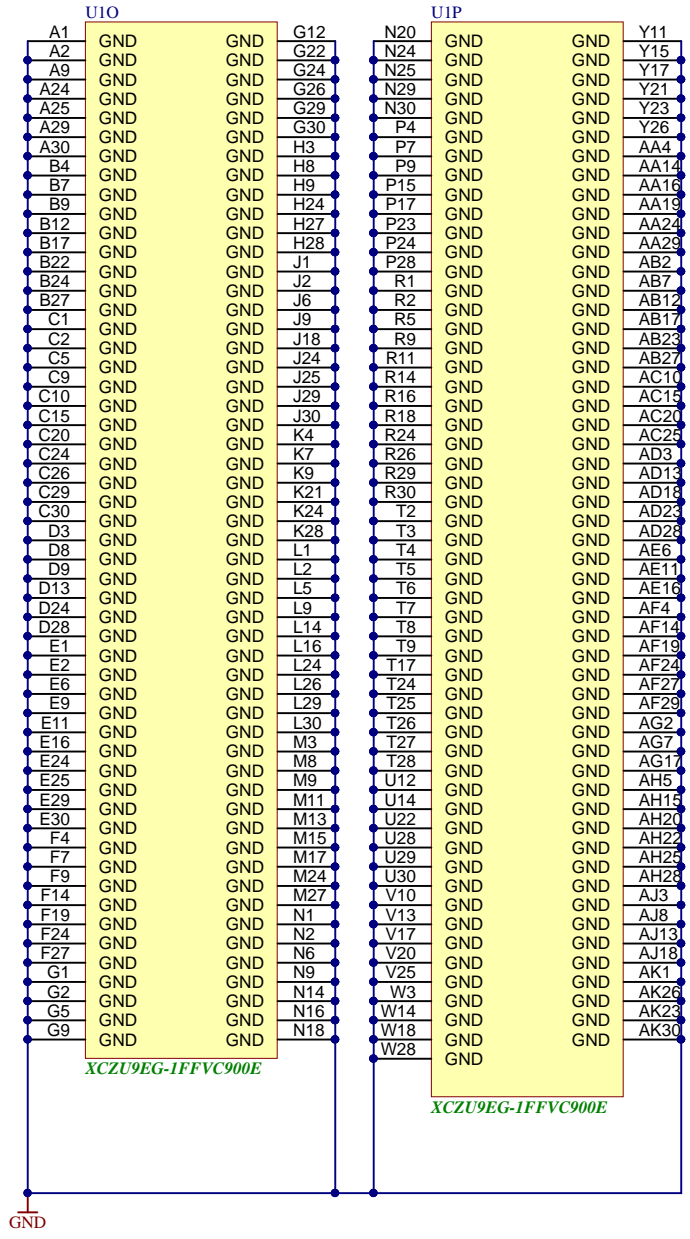
U1M

VCC_PSINTFP	VCC_PSPLL
VCC_PSINTFP	VCC_PSPLL
VCC_PSINTFP	VCC_PSPLL
VCC_PSINTFP	VCC_PSAUX
VCC_PSINTFP	VCC_PSAUX
VCC_PSINTFP	VCC_PSAUX
VCC_PSINTFP	VCC_PSAUX
VCC_PSINTLP	VCC_PSINTLP
VCC_PSINTLP	VCC_PSINTLP
VCC_PSINTLP	VCC_PSINTLP
VCC_PSINTLP	VCC_PSINTLP
VCC_PSINTLP	VCC_PSINTLP
VCC_PSINTLP	VCC_PSINTLP
PS_MGTRAVCC	PS_MGTRAVCC
PS_MGTRAVCC	PS_MGTRAVCC
PS_MGTRAVCC	PS_MGTRAVCC
PS_MGTRAVTT	PS_MGTRAVTT
PS_MGTRAVTT	PS_MGTRAVTT
PS_MGTRAVTT	PS_MGTRAVTT

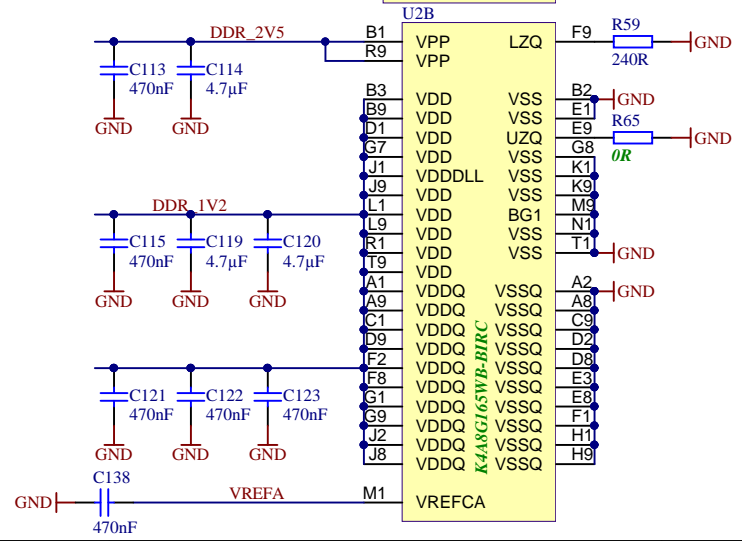
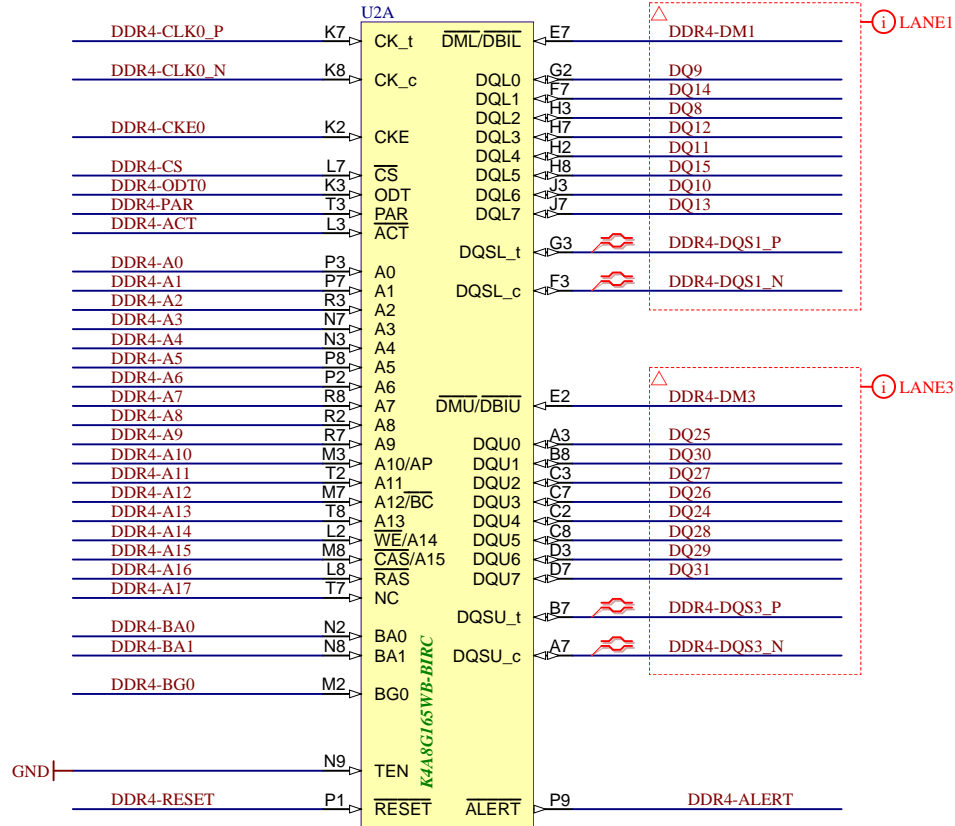

XCZU9EG-1FFVC900E

	Title: TE0808 - ZU_PS_POWER		
	A4	Number: TE0808 9BE21-L	Rev. 04
	Date: 13.08.2017	Copyright: Trenz Electronic GmbH / TT	Page 16 of 28
	Filename: ZU_PS_POWER.SchDoc		

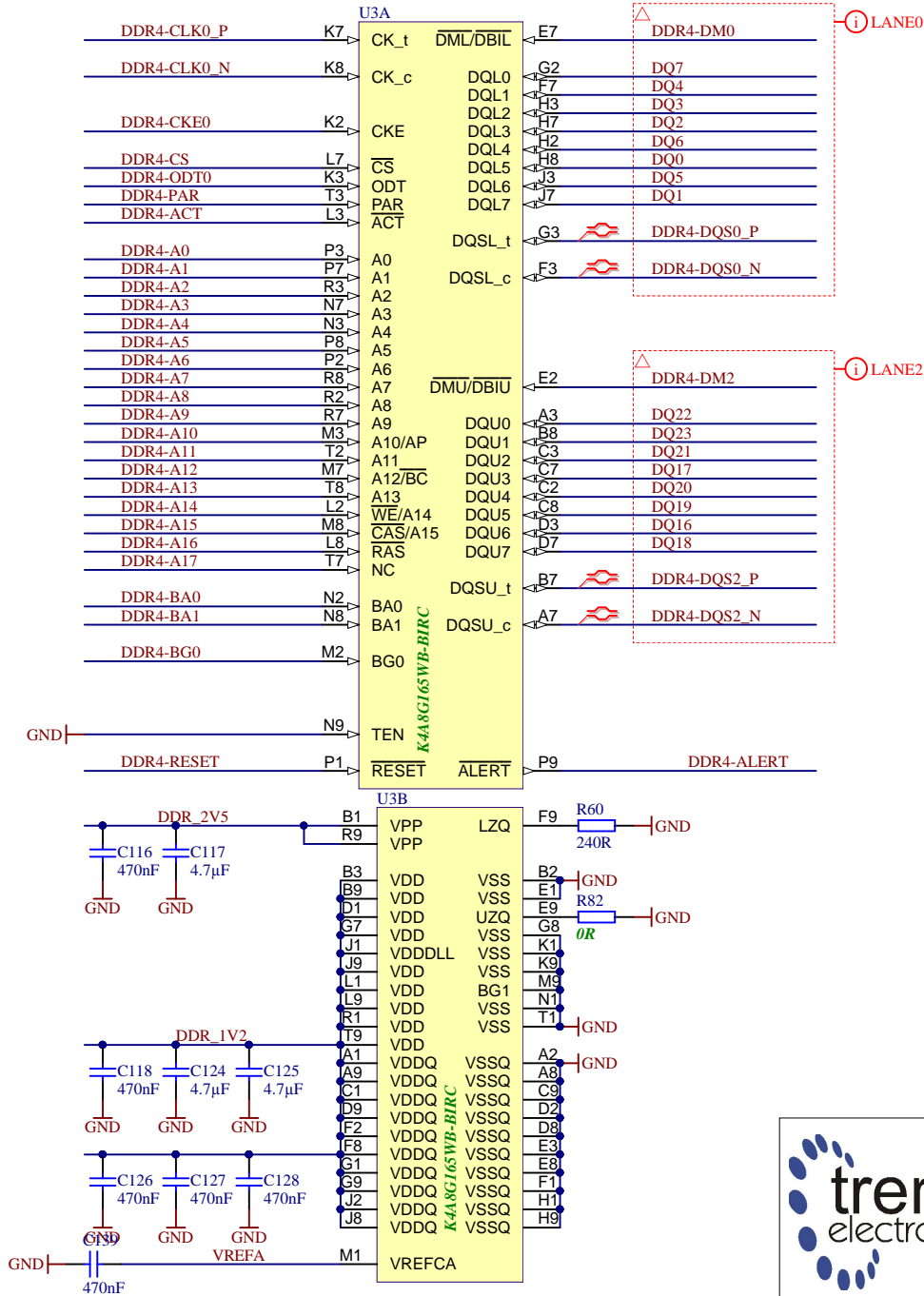




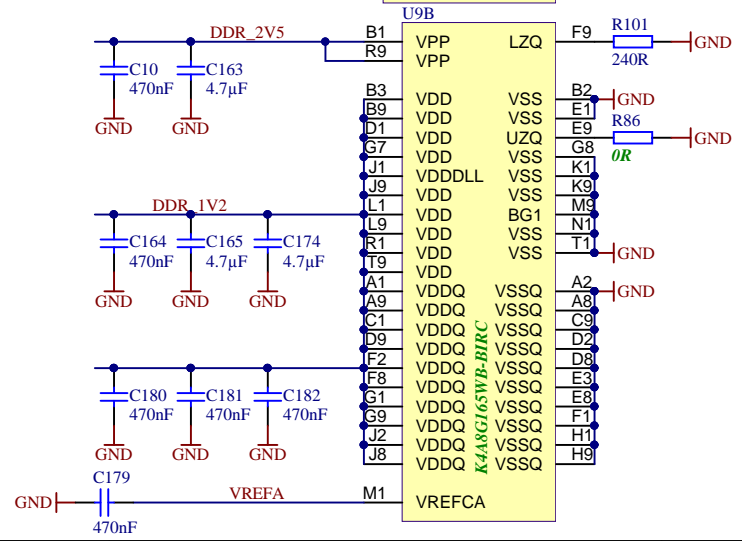
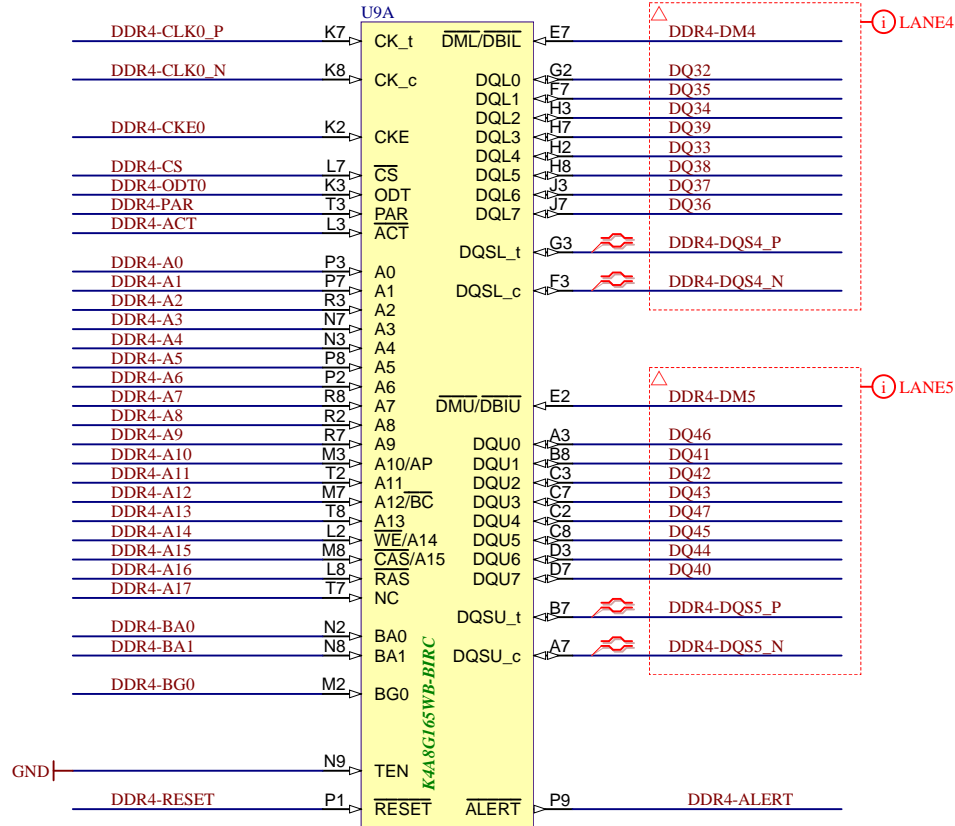

Title: <b>TE0808 - ZU_POWER</b>		
A4	Number: <b>TE0808 9BE21-L</b>	Rev. <b>04</b>
Date: <b>13.08.2017</b>	Copyright: <b>Trenz Electronic GmbH / TT</b>	Page <b>17</b> of <b>28</b>
Filename: <b>ZU_POWER.SchDoc</b>		

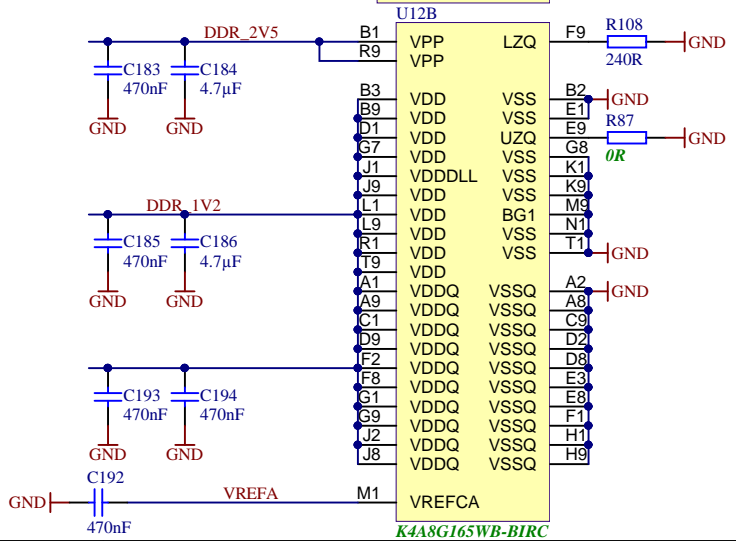
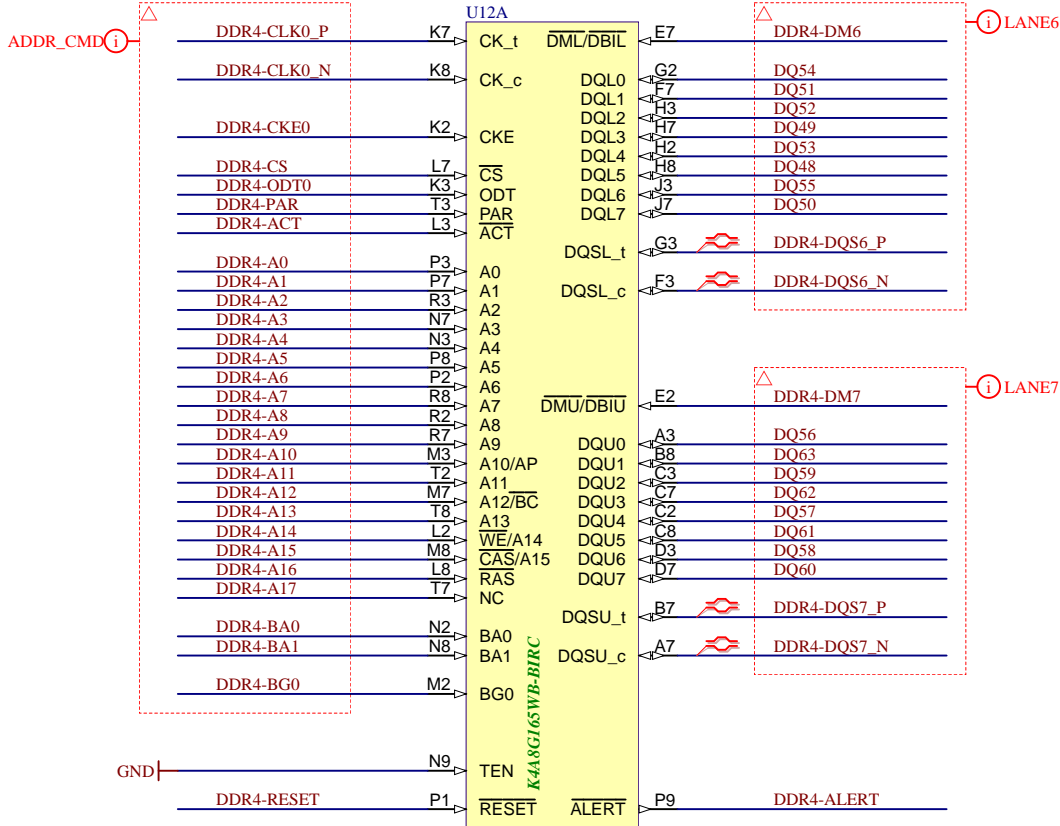
Title: TE0808 - DDR4_1_RAM		
A4	Number: TE0808 9BE21-L	Rev. 04
Date: 13.08.2017	Copyright: Trenz Electronic GmbH / TT	Page 18 of 28
Filename: DDR4-RAM.SchDoc		



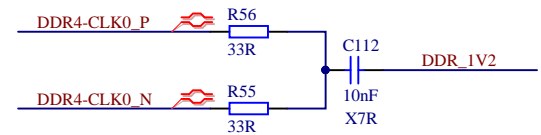
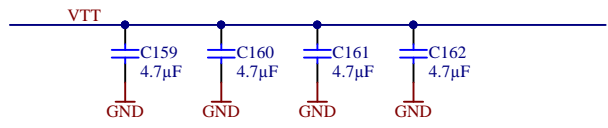
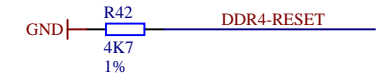
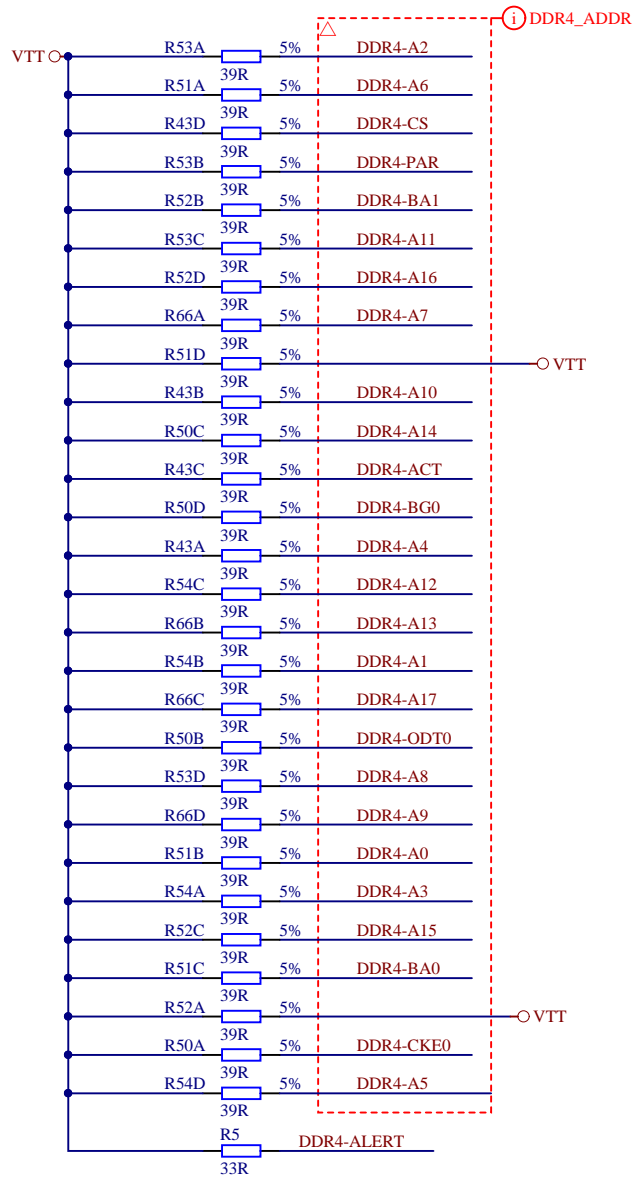
Title: TE0808 - DDR4_2_RAM		
A4	Number: TE0808 9BE21-L	Rev. 04
Date: 13.08.2017	Copyright: Trenz Electronic GmbH / TT	Page 19 of 28
Filename: DDR4-RAM_2.SchDoc		

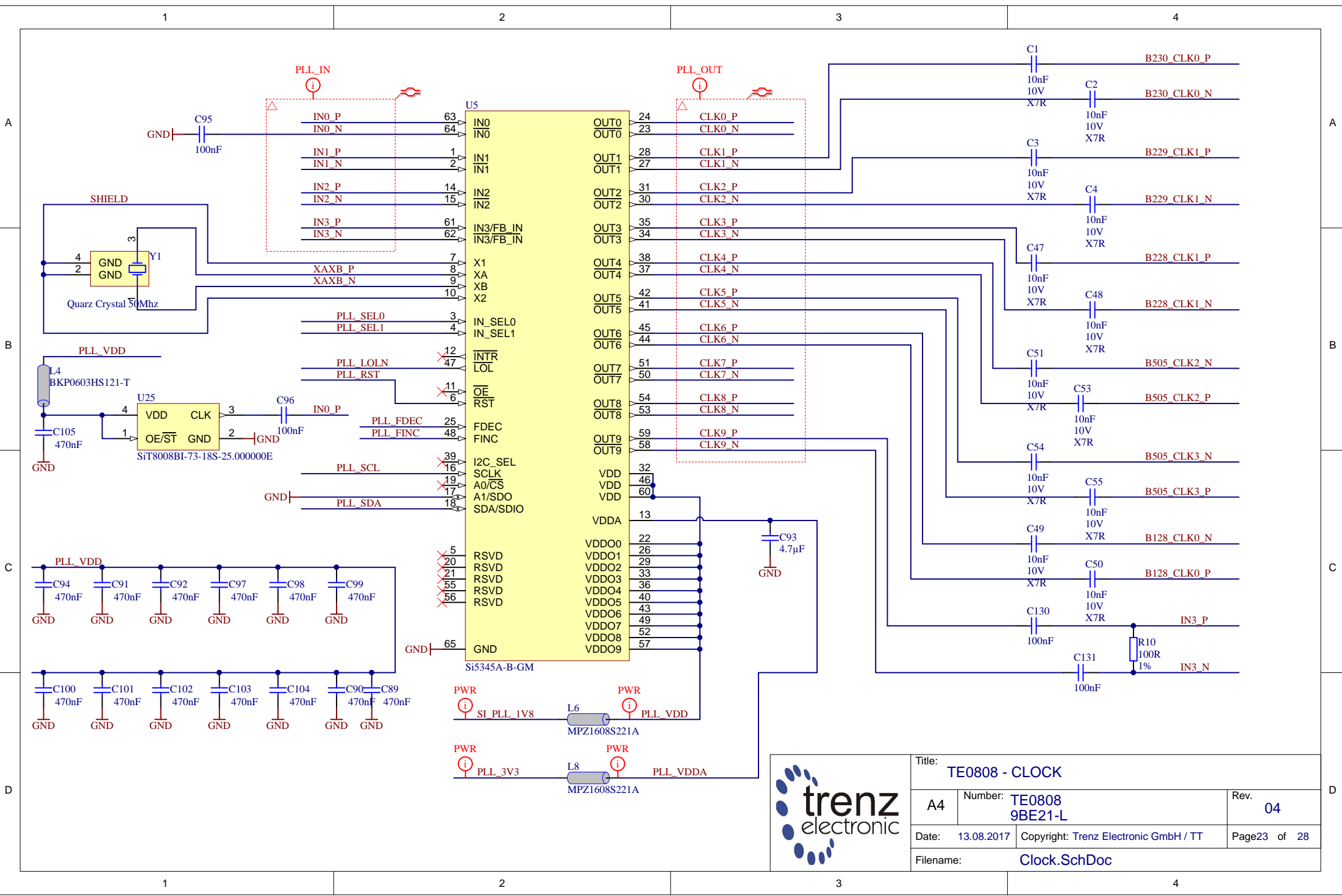
Title: TE0808 - DDR4_3_RAM		
A4	Number: TE0808 9BE21-L	Rev. 04
Date: 13.08.2017	Copyright: Trenz Electronic GmbH / TT	Page 20 of 28
Filename: DDR4-RAM_3.SchDoc		



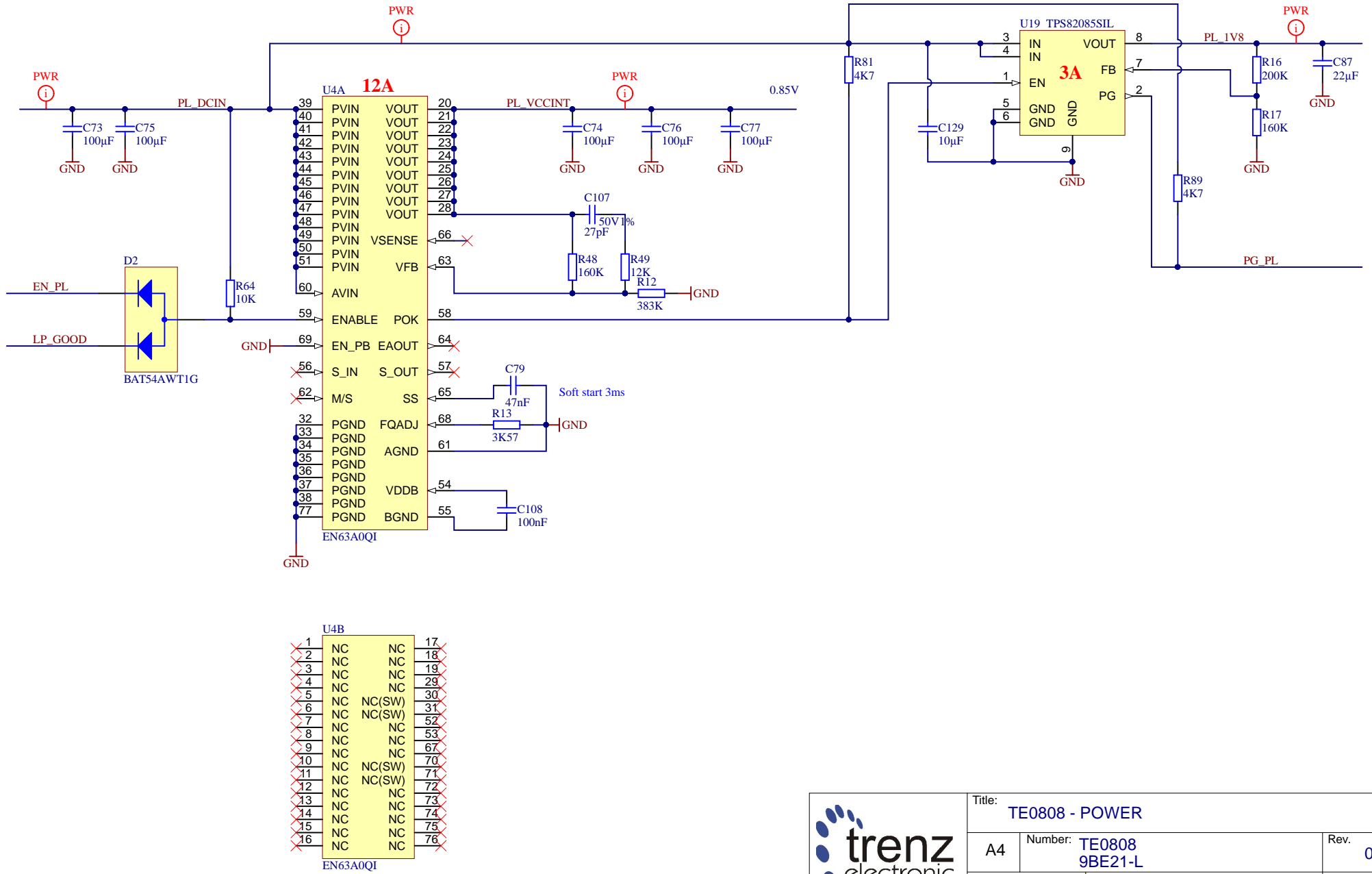

Title: TE0808 - DDR4_4_RAM		
A4	Number: TE0808 9BE21-L	Rev. 04
Date: 13.08.2017	Copyright: Trenz Electronic GmbH / TT	Page 21 of 28
Filename: DDR4-RAM_4.SchDoc		



Title: <b>TE0808 - DDR4_TERM</b>		
A4	Number: <b>TE0808 9BE21-L</b>	Rev. <b>04</b>
Date: <b>13.08.2017</b>	Copyright: <b>Trenz Electronic GmbH / TT</b>	Page <b>22</b> of <b>28</b>
Filename: <b>DDR4-TERM.SchDoc</b>		

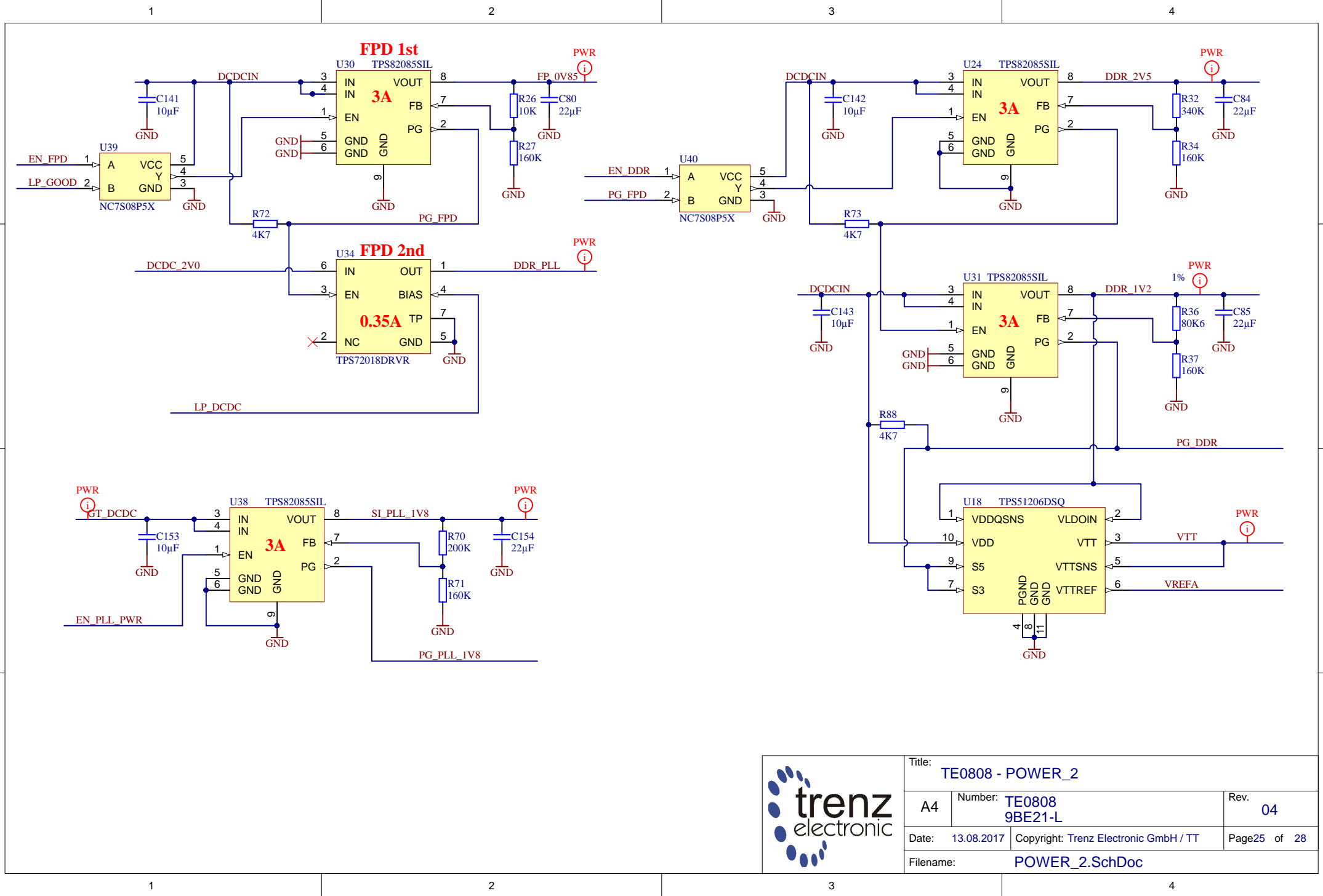



Title: TE0808 - CLOCK		
A4	Number: TE0808 9BE21-L	Rev. 04
Date: 13.08.2017	Copyright: Trenz Electronic GmbH / TT	Page 23 of 28
Filename: Clock.SchDoc		

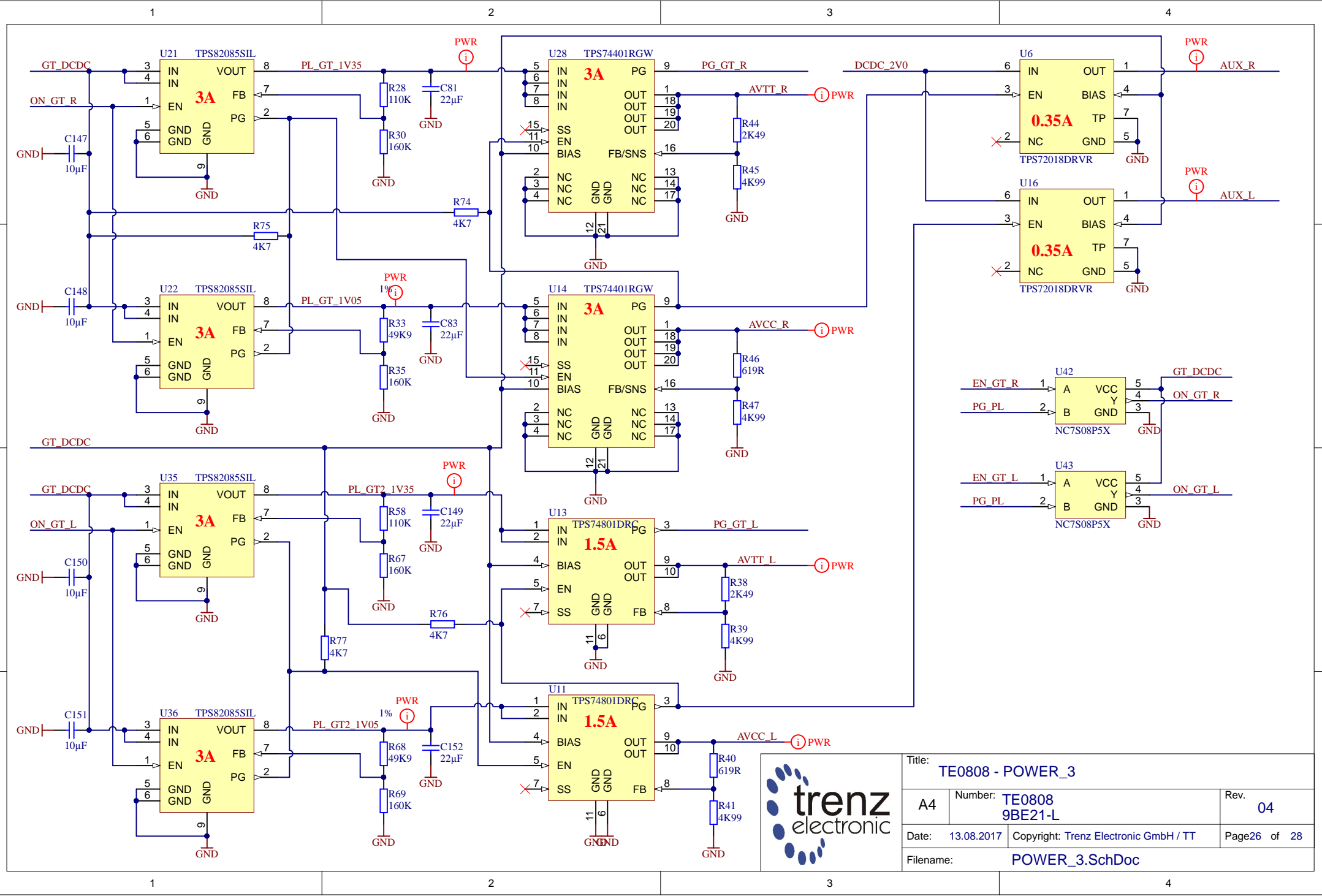



Title: <b>TE0808 - POWER</b>		
A4	Number: <b>TE0808 9BE21-L</b>	Rev. <b>04</b>
Date: <b>13.08.2017</b>	Copyright: <b>Trenz Electronic GmbH / TT</b>	Page <b>24</b> of <b>28</b>
Filename: <b>POWER.SchDoc</b>		

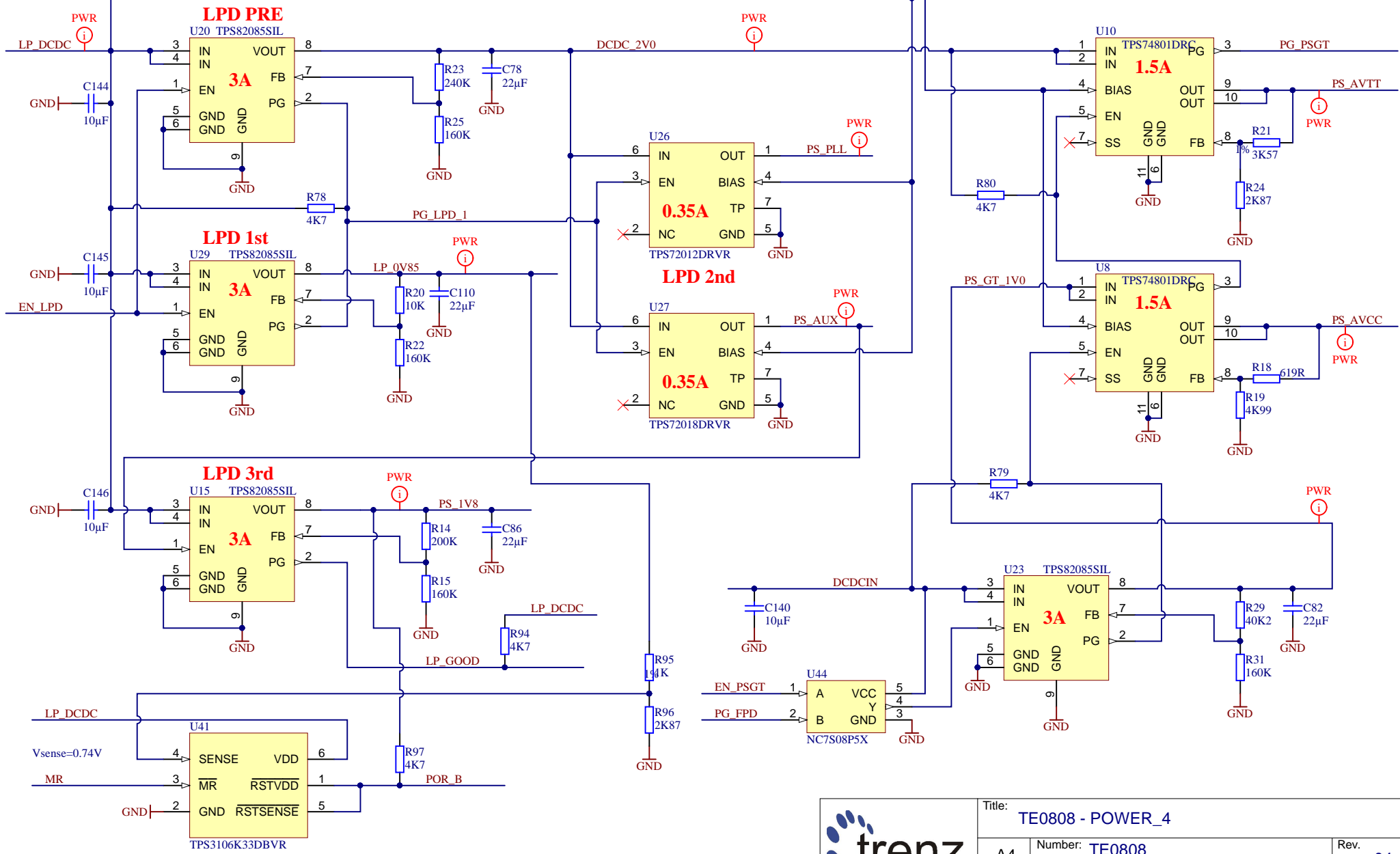




		Title: TE0808 - POWER_2	
		A4	Number: TE0808 9BE21-L
Date: 13.08.2017		Copyright: Trenz Electronic GmbH / TT	
Filename: POWER_2.SchDoc		Page 25 of 28	



Title: TE0808 - POWER_3		
A4	Number: TE0808 9BE21-L	Rev. 04
Date: 13.08.2017	Copyright: Trenz Electronic GmbH / TT	Page 26 of 28
Filename: POWER_3.SchDoc		



Title: TE0808 - POWER_4		
A4	Number: TE0808 9BE21-L	Rev. 04
Date: 13.08.2017	Copyright: Trenz Electronic GmbH / TT	Page 27 of 28
Filename: POWER_4.SchDoc		

1

2

3

4

CHANGES REV03 to REV04

- 1) added resistors R65,R82,R86,R87 (240R) for each DDR4-chip for supporting DDP DDR4 chips
- 2) full update lib

A

A

B


B

C

C

D

D

		Title: TE0808 - Changes list	
		A4	Number: TE0808 9BE21-L
Date: 13.08.2017		Copyright: Trenz Electronic GmbH	
Filename: Revision_Changes.SchDoc		Page28 of 28	

1

2

3

4