

STS32/33-DIS

3th Generation, High-Reliability, Certified Digital Temperature Sensor



Features

- Accuracy ± 0.4 °C
- VDD = 2.15 V ... 5.5 V
- Low drift, <math>< 0.01 °C per year
- Sensor-specific calibration certificate acc. to ISO 17025:2017, 3-point temp. calibration
- Operating range: $-40 \dots 125$ °C
- True NIST-traceability, unique serial number
- JEDEC JESD47 qualification
- I2C FM, CRC checksum, multip. I2C addr.
- Tiny 8-pin DFN package with ALERT pin

General Description

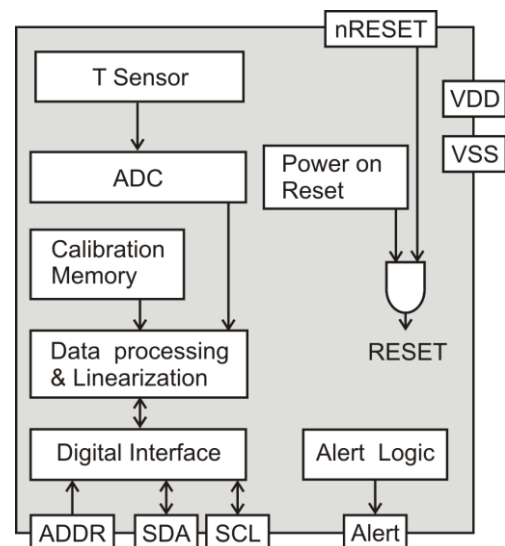
The STS32/33-DIS are Sensirion’s new low-drift digital calibrated and ISO17025 certified temperature sensors. Both rely on the industry proven CMOSens® technology, enabling increased computational power, reliability and improved accuracy specifications compared to its predecessors. Its functionality includes enhanced signal processing, two distinctive and user selectable I2C addresses and communication speeds of up to 1 MHz. The DFN package has a footprint of 2.5×2.5 mm² while keeping a height of 0.9 mm. Every STS32 or STS33 is identified by its unique serial number and is supplied with an ISO17025-accredited calibration certificate. The calibration certificate comprises three temperatures, -30 °C, 5 °C, and 70 °C. In terms of communication, electrical specifications, and footprint, the SHT33-DIS is fully identical with the STS3x-DIS.

Device Overview

Products	Details
STS32-DIS	ISO17025 3-point calibration certificate accuracy profile 1
STS33-DIS	ISO17025 3-point calibration certificate accuracy profile 2

Full product list on page 22

Functional Block Diagram



SCAN ME to give feedback and help us to improve this document. —Thank you!

Contents

Features	1
General Description	1
Device Overview	1
Functional Block Diagram	1
Contents	2
1 Sensor Performance	4
1.1 Temperature	4
1.2 ISO17025 certification with 3-point calibration data	5
2 Electrical Specifications	6
2.1 Electrical Characteristics	6
2.2 Timings	7
2.3 Absolute Maximum Ratings	7
3 Pin Assignment	8
3.1 Power Pins (VDD, VSS)	8
3.2 Serial Clock and Serial Data (SCL, SDA)	8
3.3 Die Pad (center pad)	9
3.4 ADDR Pin	9
3.5 ALERT Pin	9
3.6 nRESET Pin	9
4 Operation and Communication	10
4.1 Power-Up and Communication Start	10
4.2 Starting a Measurement	10
4.3 Measurement Commands for Single Shot Data Acquisition	10
4.4 Readout of Measurement Results for Single Shot Method	11
4.5 Measurement Commands for Periodic Data Acquisition Mode	11
4.6 Readout of Measurement Results for Periodic Mode	12
4.7 Break command/ Stop Periodic Data Acquisition Mode	13
4.8 Reset	13
4.9 Heater	14
4.10 Status Register	15
4.11 Serial Number	15
4.12 Checksum Calculation	17
4.13 Conversion Signal Output	17
4.14 Communication Timing	18
5 Packaging	19
5.1 Traceability	19
5.2 Package Outline	19
5.3 Land Pattern	20
6 Shipping Package	21

7 Quality and Material Contents.....	21
8 Product Nomenclature.....	22
9 Ordering Information.....	22
10 Bibliography.....	22
11 Revision History.....	23

1 Sensor Performance

Every STS33/32 is individually tested and calibrated and is identifiable by its unique serial number (see section 4.11 for details on the serial number). For the calibration, Sensirion uses transfer standards, which are subject to a scheduled calibration procedure. The calibration of the reference, used for the calibration of the transfer standards, is NIST traceable through an ISO/IEC 17025 accredited laboratory.

1.1 Temperature

Parameter	Conditions	Value	Units
STS32 Accuracy	max. 0°C to 65°C	±0.4	°C
	max.	See Figure 1	-
STS33 <i>T</i> Accuracy	max. -30°C to 70°C	±0.48	°C
	max.	See Figure 1	-
Repeatability ¹	high	0.04	°C
	medium	0.08	°C
	low	0.15	°C
Resolution	-	0.01	°C
Specified range	-	-40 to +125	°C
Response time ²	$\tau_{63\%}$	>2	s
Long-term drift	typ.	<0.01	°C/y

Table 1. General temperature sensor specifications.

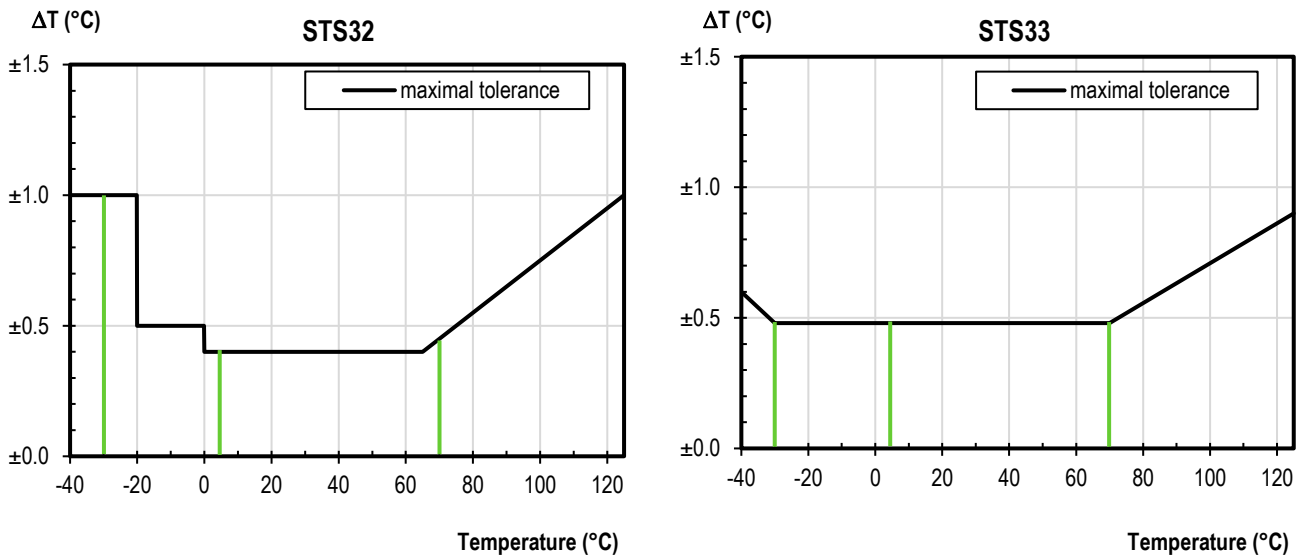


Figure 1. Maximal Temperature accuracy of the STS32 (left) and STS33 (right), respectively. The green lines represent the calibration points for ISO-17025 certification.

¹ The stated repeatability is 3 times the standard deviation (3 σ) of multiple consecutive measurements at the stated repeatability and at constant ambient conditions. It is a measure for the noise on the physical sensor output.

² Temperature response time depends on heat conductivity of sensor substrate and design-in of sensor in application. [2]

1.2 ISO17025 certification with 3-point calibration data

All STS32 and STS33 can be uniquely identified by their serial number (read out command see paragraph 4.11). For each sensor an individual 3-point calibration is performed, accredited to ISO/IEC 17025:2017. The accreditation is performed and granted by the Swiss Accreditation Service (SAS), a public institution of the Swiss Government. The accreditation is documented on the SAS website under the name SCS 0158 and can be downloaded from this [link](#)³. The three calibration temperatures are T = -30 °C, T = 5 °C, and T = 70 °C. Measurement uncertainties and decision rules according to the SAS are given in **Table 2**.

Metrological traceability of the calibration is in accordance to ch. 6.5 of ISO/IEC 17025:2017, encompassing but not limited to NIST traceability or traceability to other national metrology institutes, according to the CIPM Mutual Recognition Arrangement (CIPM MRA).

Reel-wise calibration certificates and data for each STS32/33 can be downloaded through a web-client and through an API from libellus.sensirion.com, which allows for efficient processing by automated systems. For detailed documentation, kindly refer to the Libellus documentation.

Temperature	Expanded measurement uncertainty (k=2)*	Decision rule
-30 °C	0.40 °C	Shared risk (JCGM 106:2010, 8.2)
5 °C	0.20 °C	Shared risk (JCGM 106:2010, 8.2)
70 °C	0.20 °C	Shared risk (JCGM 106:2010, 8.2)

Table 2. Measurement uncertainty and decision rule for the accredited calibration according to Swiss Accreditation Service (SAS). *Measurement uncertainties represent a confidence level of 95% using a coverage factor of k = 2.

³https://www.sas.admin.ch/sas/en/home/akkreditiertestellen/akkrstellensuchesas.exturl.html/aHR0cHM6Ly9zYXNkY5jbGllbnRzLmtpaXAuY2gvc2VhcmNoLm/h0bWw=.html?csrfmiddlewaretoken=2le2f1aOTUge9YQ3nuaL0ILEYS980ZMdH60doLdY8Nh1sHC3wpw3YvLLVBezmdRn&lang=en&search_term=0158&accreditation_type=2&submit=Start+search

2 Electrical Specifications

2.1 Electrical Characteristics

Parameter	Symbol	Condition	Min.	Typ.	Max.	Units	Comments
Supply voltage	V_{DD}		2.15	3.3	5.5	V	
Power-up/down level	V_{POR}		1.8	2.1	2.15	V	
Slew rate change of the supply voltage	$V_{DD,slew}$		-	-	20	V/ms	Voltage changes on the VDD line between $V_{DD,min}$ and $V_{DD,max}$ should be slower than the maximum slew rate; faster slew rates may lead to reset;
Supply current	I_{DD}	idle state (single shot mode) T = 25 °C	-	0.2	2.0	μA	Current when sensor is not performing a measurement during single shot mode
		idle state (single shot mode) T = 125 °C	-	-	6.0		
		idle state (periodic data acquisition mode)	-	45	-	μA	Current when sensor is not performing a measurement during periodic data acquisition mode
		Measuring	-	600	1500	μA	Current consumption while sensor is measuring
		Average	-	1.7	-	μA	Current consumption (operation with one measurement per second at lowest repeatability, single shot mode)
Alert Output driving strength	I_{OH}			1.5x V_{DD}		mA	See also section 3.5
Heater power	P_{Heater}	Heater running	3.6	-	33	mW	Depending on the supply voltage

Table 3. Electrical specifications, typical values are valid for T = 25 °C, min. & max. values for T = -40 °C ... 125 °C.

2.2 Timings

Parameter	Symbol	Conditions	Min.	Typ.	Max.	Units	Comments
Power-up time	t_{PU}	After hard reset, $V_{DD} \geq V_{POR}$	-	0.5	1.5	ms	Time between V_{DD} reaching V_{POR} and sensor entering idle state
Soft reset time	t_{SR}	After soft reset	-	-	1	ms	Time between ACK of soft reset command and sensor entering idle state.
Measurement duration	$t_{MEAS,l}$	Low repeatability	-	2.5	4.5	ms	The three repeatability modes differ with respect to measurement duration, noise level and energy consumption
	$t_{MEAS,m}$	Med. repeatability	-	4.5	6.5	ms	
	$t_{MEAS,h}$	High repeatability	-	12.5	15.5	ms	
Duration of reset pulse	t_{RESETN}		1	-	-	μs	See section 4.8

Table 4. System timing specifications (valid from $-40\text{ }^{\circ}\text{C}$ to $125\text{ }^{\circ}\text{C}$ and $V_{DD,min} \dots V_{DD,max}$).

2.3 Absolute Maximum Ratings

Stress levels beyond those listed in **Table 5** may cause permanent damage or affect the reliability of the device. These are stress ratings only and functional operation of the device at these conditions is not guaranteed. Ratings are only tested each at a time.

Parameter	Rating
Supply voltage V_{DD}	$-0.3\text{ V to }6\text{ V}$
Max. voltage on any pin	$V_{SS} -0.3\text{ V} \dots V_{DD} +0.3\text{ V}$
Input current on any pin	$\pm 100\text{ mA}$
Operating temperature range	$-40\text{ }^{\circ}\text{C} \dots 125\text{ }^{\circ}\text{C}$
Storage temperature range ⁴	$-40\text{ }^{\circ}\text{C} \dots 150\text{ }^{\circ}\text{C}$
ESD HBM ⁵	4 kV
ESD CDM ⁶	750 V

Table 5. Absolute maximum ratings. Values may be only applied for short time periods.

⁴ The recommended storage temperature range is $10\text{--}50\text{ }^{\circ}\text{C}$. Please consult the document “SHTxx Handling Instructions” [3] for more information.

⁵ According to ANSI/ESDA/JEDEC JS-001-2014; AEC-Q100-002.

⁶ According to ANSI/ESD S5.3.1-2009; AEC-Q100-011.

3 Pin Assignment

The STS32/33-DIS come in a tiny 8-pin DFN package – see **Table 6**.

Pin	Name	Comments
1	SDA	Serial data; input / output
2	ADDR	Address pin; input; connect to either logic high or low, do not leave floating
3	ALERT	Indicates alarm condition; output; must be left floating if unused
4	SCL	Serial clock; input / output
5	VDD	Supply voltage; input
6	nRESET	Reset pin active low; input; if not used it is recommended to be left floating; can be connected to VDD with a series resistor of $R \geq 2 \text{ k}\Omega$.
7	R	No electrical function; to be connected to VSS
8	VSS	Ground

Table 6. STS32/33-DIS pin assignment (transparent top view). Dashed lines are only visible if viewed from below. The die pad is internally connected to VSS.

3.1 Power Pins (VDD, VSS)

The electrical specifications of the STS32/33-DIS are shown **Table 3**. The power supply pins must be decoupled with a 100 nF capacitor that shall be placed as close to the sensor as possible – see **Figure 2** for a typical application circuit.

3.2 Serial Clock and Serial Data (SCL, SDA)

SCL is used to synchronize the communication between microcontroller and the sensor. The clock frequency can be freely chosen between 0 to 1000 kHz. Commands with clock stretching according to I2C Standard⁷ are supported. The SDA pin is used to transfer data to and from the sensor. Communication with frequencies up to 400 kHz must meet the I2C *Fast Mode*⁷ standard. Communication frequencies up to 1 MHz are supported following the specifications given in **Table 20**. Both SCL and SDA lines are open-drain I/Os with diodes to VDD and VSS. They should be connected to external pull-up resistors (please refer to **Figure 2**). A device on the I2C bus must only drive a line to ground. The external pull-up resistors (e.g. $R_p = 10 \text{ k}\Omega$) are required to pull the signal high. For dimensioning resistor sizes please take bus capacity and communication frequency into account (see for example Section 7.1 of NXP's I2C Manual for more details [1]). It should be noted that pull-up resistors may be included in I/O circuits of microcontrollers. It is recommended to wire the sensor according to the application circuit as shown in **Figure 2**.

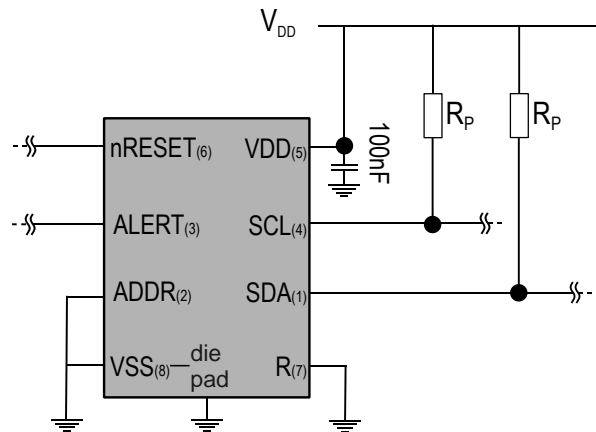


Figure 2. Typical application circuit. Please note that the positioning of the pins does not reflect the position on the real sensor. This is shown in **Table 6**.

3.3 Die Pad (center pad)

The die pad or center pad is visible from below and located in the center of the package. It is electrically connected to VSS. Hence electrical considerations do not impose constraints on the wiring of the die pad. However, due to mechanical reasons it is recommended to solder the center pad to the PCB. For more information on design-in, please refer to the document “SHTxx_STSxx Design Guide” [2].

3.4 ADDR Pin

Through the appropriate wiring of the ADDR pin the I2C address can be selected (see **Table 7** for the respective addresses). The ADDR pin can either be connected to logic high or logic low. The address of the sensor can be changed dynamically during operation by switching the level on the ADDR pin. The only constraint is that the level has to stay constant starting from the I2C start condition until the communication is finished. This allows to connect more than two STS32/33-DIS onto the same bus. The dynamical switching requires individual ADDR lines to the sensors. Please note that the I2C address is represented through the 7 MSBs of the I2C read or write header. The LSB switches between read or write header. The wiring for the default address is shown **Table 7** and **Figure 2**. The ADDR pin must not be left floating. Please note that only the 7 MSBs of the I2C Read/Write header constitute the I2C Address.

STS32/33-DIS	I2C Address in Hex. representation	Condition
I2C address A	0x4A (default)	ADDR (pin 2) connected to logic low
I2C address B	0x4B	ADDR (pin 2) connected to logic high

Table 7. I2C Device addresses

3.5 ALERT Pin

The alert pin may be used to connect to the interrupt pin of a microcontroller. The output of the pin depends on the value of the temperature reading relative to programmable limits. Its function is explained in a separate application note. If not used, this pin must be left floating. The pin switches high when alert conditions are met. The maximum driving loads are listed in **Table 3**. Be aware that self-heating might occur, depending on the amount of current that flows. Self-heating can be prevented if the Alert Pin is only used to switch a transistor.

3.6 nRESET Pin

The nReset pin may be used to generate a reset of the sensor. A minimum pulse duration of 1 μ s is required to reliably trigger a reset of the sensor. Its function is explained in more detail in section 4. If not used it is recommended to leave the pin floating or to connect it to VDD with a series

resistor of $R \geq 2 \text{ k}\Omega$. However, the nRESET pin is internally connected to VDD with a pull up resistor of $R = 50 \text{ k}\Omega$ (typ.).

4 Operation and Communication

The STS32/33-DIS supports I2C fast mode (and frequencies up to 1000 kHz). Clock stretching can be enabled and disabled through the appropriate user command. For detailed information on the I2C protocol, refer to NXP I2C-bus specification [1]. After sending a command to the sensor a minimal waiting time of 1 ms is needed before another command can be received by the sensor. All STS32/33-DIS commands and data are mapped to a 16-bit address space. Additionally, data and commands are protected with a CRC checksum. This increases communication reliability. The 16 bits commands to the sensor already include a 3 bit CRC checksum. Data sent from and received by the sensor is always succeeded by an 8 bit CRC. In write direction it is mandatory to transmit the checksum, since the STS32/33-DIS only accepts data if it is followed by the correct checksum. In read direction it is left to the master to read and process the checksum.

4.1 Power-Up and Communication Start

The sensor starts powering-up after reaching the power-up threshold voltage V_{POR} specified in **Table 3**. After reaching this threshold voltage the sensor needs the time t_{PU} to enter idle state. Once the idle state is entered it is ready to receive commands from the master (microcontroller). Each transmission sequence begins with a START condition (S) and ends with a STOP condition (P) as described in the I2C-bus specification. Whenever the sensor is powered up, but not performing a measurement or communicating, it automatically enters idle state for energy saving. This idle state cannot be controlled by the user.

4.2 Starting a Measurement

A measurement communication sequence consists of a START condition, the I2C write header (7-bit I2C device address plus 0 as the write bit) and a 16-bit measurement command. The proper reception of each byte is indicated by the sensor. It pulls the SDA pin low (ACK bit) after the falling edge of the 8th SCL clock to indicate the reception. A complete measurement cycle is depicted in **Table 8**. With the acknowledgement of the measurement command, the STS32/33-DIS starts measuring the temperature.

4.3 Measurement Commands for Single Shot Data Acquisition

In this mode one issued measurement command triggers the acquisition of a 16 bit temperature value. During transmission that value is always followed by a CRC checksum, see section 4.4. In single shot mode different measurement commands can be selected. The 16 bit commands are shown in **Table 8**. They differ with respect to repeatability (low, medium and high) and clock stretching (enabled or disabled). The repeatability setting influences the measurement duration and thus the overall energy consumption of the sensor. This is explained in section 2.2.

Condition		Hex. code	
Repeatability	Clock stretching	MSB	LSB
High	enabled	0x2C	06
Medium			0D
Low			10
High	disabled	0x24	00
Medium			0B
Low			16

e.g. 0x2C06: high repeatability measurement with clock stretching enabled

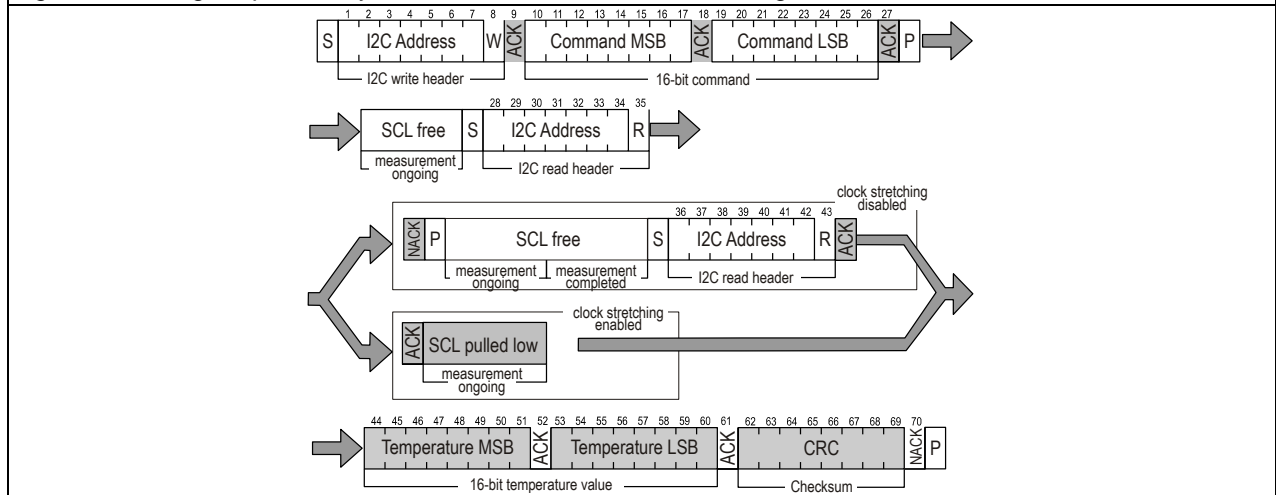


Table 8. Measurement commands in single shot mode. The first “SCL free” block indicates a minimal waiting time of 1 ms (clear blocks are controlled by the microcontroller, grey blocks by the sensor).

4.4 Readout of Measurement Results for Single Shot Method

After the sensor has completed the measurement, the master can read the measurement result by sending a START condition followed by an I2C read header. The sensor will acknowledge the reception of the read header and send two bytes of data (temperature) followed by a one-byte CRC checksum. Each byte must be acknowledged by the microcontroller with an ACK condition for the sensor to continue sending data. If the sensor does not receive an ACK from the master after any byte of data, it will not continue sending data. After having received the checksum for the temperature value a NACK and stop condition should be sent (see **Table 8**). The I2C master can abort the read transfer with a NACK condition after any data byte if it is not interested in the CRC.

No Clock Stretching

When a command without clock stretching has been issued, the sensor responds to a read header with a not acknowledge (NACK), if no data is present.

Clock Stretching

When a command with clock stretching has been issued, the sensor responds to a read header with an ACK and subsequently pulls down the SCL line. The SCL line is pulled down until the measurement is complete. As soon as the measurement is complete, the sensor releases the SCL line and sends the measurement results.

4.5 Measurement Commands for Periodic Data Acquisition Mode

In this mode one issued measurement command yields a stream of 16 bit temperature values. In periodic mode different measurement commands can be selected. The corresponding 16 bit commands are shown in **Table 9**. They differ with respect to repeatability (low, medium and high) and data acquisition frequency (0.5, 1, 2, 4 & 10 measurements per second, mps). Clock stretching cannot be selected in this mode.

The data acquisition frequency and the repeatability setting influence the measurement duration and the current consumption of the sensor. This is explained in 2.2 of this datasheet. If a measurement command is issued, while the sensor is busy with a measurement (measurement durations see **Table 4**), it is recommended to issue a break command first (see section 4.7). Upon reception of the break command the sensor will abort the ongoing measurement and enter the single shot mode.

Condition		Hex. code	
Repeatability	mps	MSB	LSB
High	0.5	0x20	32
Medium			24
Low			2F
High	1	0x21	30
Medium			26
Low			2D
High	2	0x22	36
Medium			20
Low			2B
High	4	0x23	34
Medium			22
Low			29
High	10	0x27	37
Medium			21
Low			2A

e.g. 0x2130: one high repeatability measurement per second (mps)

Table 9. Measurement commands for periodic data acquisition mode (clear blocks are controlled by the microcontroller, grey blocks by the sensor). N.B.: At the highest mps setting self-heating of the sensor might occur.

4.6 Readout of Measurement Results for Periodic Mode

Transmission of the measurement data can be initiated through the fetch data command shown in **Table 10**. If no measurement data is present the I2C read header is responded with a NACK (Bit 9 in **Table 9**. Measurement commands for periodic data acquisition mode (clear blocks are controlled by the microcontroller, grey blocks by the sensor). N.B.: At the highest mps setting self-heating of the sensor might occur.) and the communication stops. After the read-out command fetch data has been issued, the data memory is cleared, *i.e.* no measurement data is present.

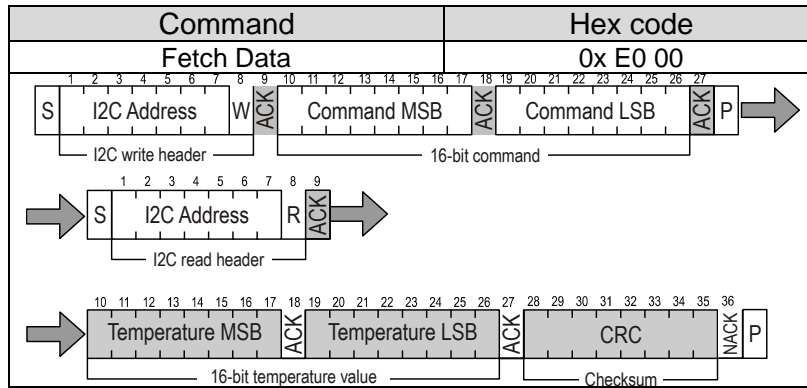


Table 10. Fetch Data command (clear blocks are controlled by the microcontroller, grey blocks by the sensor)

4.7 Break command/ Stop Periodic Data Acquisition Mode

The periodic data acquisition mode can be stopped using the break command shown in **Table 11**. It is recommended to stop the periodic data acquisition prior to sending another command (except Fetch Data command) using the break command. Upon reception of the break command the sensor will abort the ongoing measurement and enter the single shot mode. This takes 1 ms.

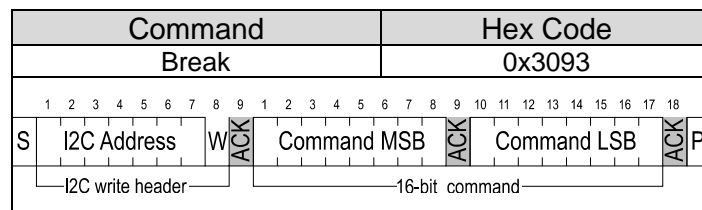


Table 11. Break command (clear blocks are controlled by the microcontroller, grey blocks by the sensor).

4.8 Reset

A system reset of the STS32/33-DIS can be generated externally by issuing a command (soft reset) or by sending a pulse to the dedicated reset pin (nReset pin). Additionally, a system reset is generated internally during power-up. During the reset procedure the sensor will not process commands. In order to achieve a full reset of the sensor without removing the power supply, it is recommended to use the nRESET pin of the STS32/33-DIS.

Interface Reset

If communication with the device is lost, the following signal sequence will reset the serial interface: While leaving SDA high, toggle SCL nine or more times. This must be followed by a Transmission Start sequence preceding the next command. This sequence resets the interface only. The status register preserves its content.

Soft Reset / Re-Initialization

The STS32/33-DIS provides a soft reset mechanism that forces the system into a well-defined state without removing the power supply. When the system is in idle state the soft reset command can be sent to the STS32/33-DIS. This triggers the sensor to reset its system controller and reloads calibration data from the memory. In order to start the soft reset procedure the command as shown in **Table 12** should be sent. It is worth noting that the sensor reloads calibration data prior to every measurement by default.

Command	Hex Code
Soft Reset	0x30A2

Table 12. Soft reset command (clear blocks are controlled by the microcontroller, grey blocks by the sensor)

Reset through General Call

Additionally, a reset of the sensor can also be generated using the “general call” mode according to I2C-bus specification. This generates a reset which is functionally identical to using the nReset pin. It is important to understand that a reset generated in this way is not device specific. All devices on the same I2C bus that support the general call mode will perform a reset. Additionally, this command only works when the sensor can process I2C commands. The appropriate command consists of two bytes and is shown in **Table 13**.

Command	Code
Address byte	0x00
Second byte	0x06
Reset command using the general call address	0x0006

Table 13. Reset through the general call address (clear blocks are controlled by the microcontroller, grey blocks by the sensor).

Reset through the nReset Pin

Pulling the nReset pin low (see **Table 6**) generates a reset similar to a hard reset. The nReset pin is internally connected to VDD through a pull-up resistor and hence active low. The nReset pin has to be pulled low for a minimum of 1 μ s to generate a reset of the sensor.

Hard Reset

A hard reset is achieved by switching the supply voltage to the VDD Pin off and then on again. In order to prevent powering the sensor over the ESD diodes, the voltage to pins 1 (SDA), 4 (SCL) and 2 (ADDR) also needs to be removed.

4.9 Heater

The STS32/33 is equipped with an internal heater, which is meant for plausibility checking only. The temperature increase achieved by the heater depends on various parameters and lies in the range of a few degrees centigrade. It can be switched on and off by command, see table below. The status is listed in the status register. After a reset the heater is disabled (default condition).

Command	Hex Code	
	MSB	LSB
Heater Enable	0x30	6D
Heater Disabled		66

Table 14. Heater command (clear blocks are controlled by the microcontroller, grey blocks by the sensor)

4.10 Status Register

The status register contains information on the operational status of the heater, the alert mode and on the execution status of the last command and the last write sequence. The command to read out the status register is shown in **Table 15** whereas a description of the content can be found in **Table 18**.

Command	Hex code
Read Out of status register	0xF32D

Table 15. Command to read out the status register (clear blocks are controlled by the microcontroller, grey blocks by the sensor)

Clear Status Register

All flags (Bit 15, 10, 4) in the status register can be cleared (set to zero) by sending the command shown in **Table 16**. Command to clear the status register (clear blocks are controlled by the microcontroller, grey blocks by the sensor).

Command	Hex Code
Clear status register	0x 30 41

Table 16. Command to clear the status register (clear blocks are controlled by the microcontroller, grey blocks by the sensor)

4.11 Serial Number

The Serial number allows for an unambiguous identification of each individual device, it is stored in the one-time programmable (OTP) memory of the chip. **Table 17** shows the command structure to read the serial number. After issuing the measurement command and sending the ACK bit the sensor needs the time $t_{IDLE} = 1\text{ ms}$ to respond to the I2C read header with an ACK bit. Hence it is recommended to wait $t_{IDLE} = 1\text{ ms}$ before issuing the read header. The Get Serial Number command returns two words, every word is followed by a CRC Checksum. Together the 2 words (SNB_3 to SNB_0 in **Table 17**, SNB_0 is the LSB, whereas SNB_3 is the MSB) constitute a unique serial number with a length of 32 bit. This serial number can be used to individually identify each sensor.

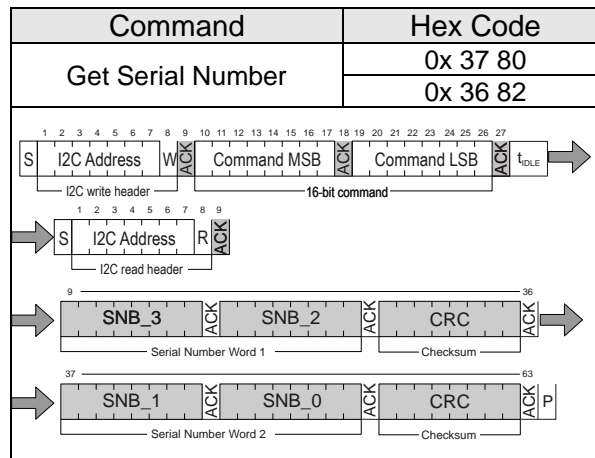


Table 17. Command to read out the Serial Number (clear blocks are controlled by the microcontroller, grey blocks by the sensor)

Bit	Field description	Default value
15	Alert pending status '0': no pending alerts '1': at least one pending alert	'1'
14	Reserved	'0'
13	Heater status '0' : Heater OFF '1' : Heater ON	'0'
12:11	Reserved	'00'
10	T tracking alert '0' : no alert '1' . alert	'0'
9:5	Reserved	'xxxxx'
4	System reset detected '0': no reset detected since last 'clear status register' command '1': reset detected (hard reset, soft reset command or supply fail)	'1'
3:2	Reserved	'00'
1	Command status '0': last command executed successfully '1': last command not processed. It was either invalid, failed the integrated command checksum	'0'
0	Write data checksum status '0': checksum of last write transfer was correct '1': checksum of last write transfer failed	'0'

Table 18. Description of the status register.

4.12 Checksum Calculation

The 8-bit CRC checksum transmitted after each data word is generated by a CRC algorithm. Its properties are displayed in **Table 19**. The CRC covers the contents of the two previously transmitted data bytes. To calculate the checksum only these two previously transmitted data bytes are used.

Property	Value
Name	CRC-8
Width	8 bit
Protected data	read and/or write data
Polynomial	0x31 ($x^8 + x^5 + x^4 + 1$)
Initialization	0xFF
Reflect input	False
Reflect output	False
Final XOR	0x00
Examples	CRC (0xBEEF) = 0x92

Table 19. I2C CRC properties

4.13 Conversion Signal Output

Measurement data is always transferred as 16-bit values (unsigned integer). These values are already linearized and compensated for supply voltage effects. Converting those raw values into a physical scale can be achieved using the following formulas.

Temperature conversion formula (result in °C & °F):

$$T = \left(-45 + 175 \cdot \frac{S_T}{2^{16} - 1} \right) ^\circ\text{C} \tag{1}$$

$$T = \left(-49 + 315 \cdot \frac{S_T}{2^{16} - 1} \right) ^\circ\text{F} \tag{2}$$

S_T denotes the raw sensor output for temperature. The formulas work only correctly when S_T is used in decimal representation

4.14 Communication Timing

Parameter	Symbol	Conditions	Min.	Typ	Max.	Units	Comments
SCL clock frequency	f_{SCL}		0	-	1000	kHz	
Hold time (repeated) START condition	$t_{HD,STA}$	After this period, the first clock pulse is generated	0.24	-	-	μs	
LOW period of the SCL clock	t_{LOW}		0.53	-	-	μs	
HIGH period of the SCL clock	t_{HIGH}		0.26	-	-	μs	
SDA hold time	$t_{HD,DAT}$		0	-	250	ns	Transmitting data
			0	-	-	ns	Receiving data
SDA set-up time	$t_{SU,DAT}$		100	-	-	ns	
SCL/SDA rise time	t_R		-	-	300	ns	
SCL/SDA fall time	t_F		-	-	300	ns	
SDA valid time	$t_{VD,DAT}$		-	-	0.9	μs	
Set-up time for a repeated START condition	$t_{SU,STA}$		0.26	-	-	μs	
Set-up time for STOP condition	$t_{SU,STO}$		0.26	-	-	μs	
Capacitive load on bus line	CB		-	-	400	pF	
Low level input voltage	V_{IL}		0	-	$0.3 \times V_{DD}$	V	
High level input voltage	V_{IH}		$0.7 \times V_{DD}$	-	$1 \times V_{DD}$	V	
Low level output voltage	V_{OL}	3 mA sink current	-	-	0.4	V	

Table 20. Timing specifications for I2C communication, valid for $T = -40^{\circ}C \dots 125^{\circ}C$ and $V_{DD,min} \dots V_{DD,max}$. The nomenclature above is according to the I2C specification (UM10204, Rev. 6, April 4, 2014). [1]

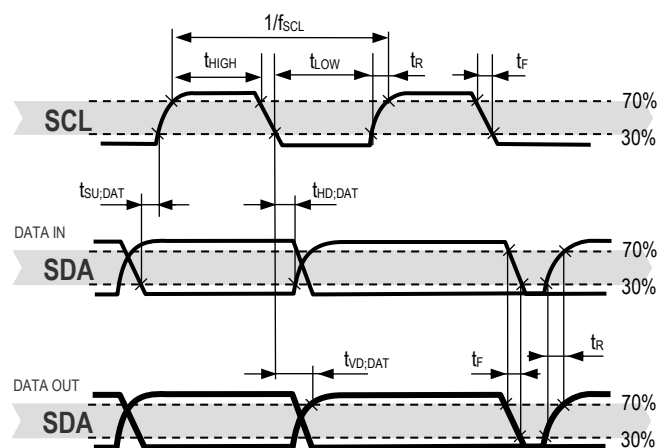


Figure 3. Timing diagram for digital input/output pads. SDA directions are seen from the sensor. Bold SDA lines are controlled by the sensor, plain SDA lines are controlled by the micro-controller. Note that SDA valid read time is triggered by falling edge of preceding toggle.

5 Packaging

STS32/33-DIS sensors are provided in a *dual flat no leads* (DFN) package. The sensor chip is made of silicon and is mounted to a lead frame. The latter is made of Cu plated with Ni/Pd/Au. Chip and lead frame are overmolded by an epoxy-based mold compound leaving the central die pad and I/O pins exposed for mechanical and electrical connection. Please note that the side walls of the sensor are diced and therefore these diced lead frame surfaces are not covered with the respective plating. The package follows JEDEC publication 95, design registration 4.20, small scale plastic quad and dual inline, square and rectangular, No-LEAD packages (with optional thermal enhancements) small scale (QFN/SON), Issue D.01, September 2009. STS32/33-DIS has a Moisture Sensitivity Level (MSL) of 1, according to IPC/JEDEC J-STD-020. At the same time, it is recommended to further process the sensors within one year after date of delivery.

5.1 Traceability

All STS32/33-DIS sensors are laser marked for easy identification and traceability. The marking on the sensor top side consists of a pin-1 indicator and two lines of text. The top line carries the product name. The bottom line consists of 6 letters. The first two digits XY (=DI) describe the output mode. The third letter (A) represents the manufacturing year (4 = 2014, 5 = 2015, etc). The last three digits (BCD) represent an alphanumeric tracking code. That code can be decoded by Sensirion only and allows for tracking on batch level through production, calibration, and testing – and will be provided upon justified request. If viewed from below pin 1 is indicated by triangular shaped cut in the otherwise rectangular die pad. The dimensions of the triangular cut are shown in **Figure 5**. Dimensional drawing of STS32/33-DIS sensor package through the labels T1 & T2.

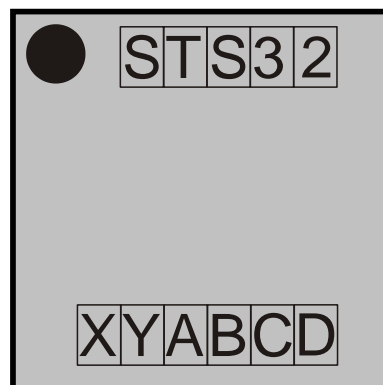


Figure 4. Top view of the STS32/33-DIS illustrating the laser marking.

5.2 Package Outline

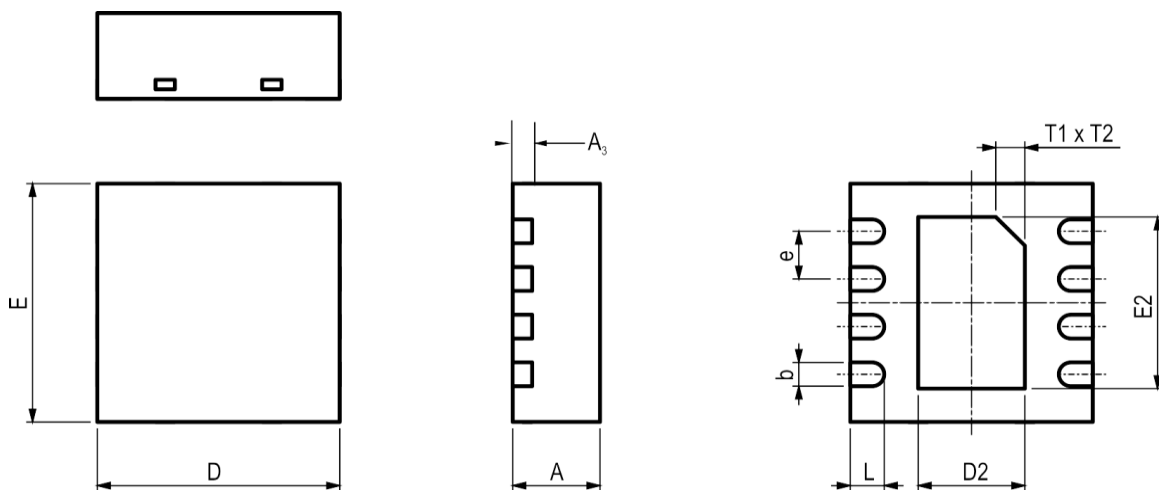


Figure 5. Dimensional drawing of STS32/33-DIS sensor package

Parameter	Symbol	Min	Nom.	Max	Units	Comments
Package height	A	0.8	0.9	1	mm	
Leadframe height	A3	-	0.2	-	mm	
Pad width	b	0.2	0.25	0.3	mm	
Package width	D	2.4	2.5	2.6	mm	
Center pad length	D2	1	1.1	1.2	mm	
Package length	E	2.4	2.5	2.6	mm	
Center pad width	E2	1.7	1.8	1.9	mm	
Pad pitch	e	-	0.5	-	mm	
Pad length	L	0.25	0.35	0.45	mm	
Center pad marking	T1xT2	-	0.3x45°	-	mm	indicates the position of pin 1

Table 21. Package outline.

5.3 Land Pattern

The land pattern (**Figure 6**) is understood to be the open metal areas on the PCB, onto which the DFN pads are soldered. The solder mask is understood to be the insulating layer on top of the PCB covering the copper traces. It is recommended to design the solder pads as a Non-Solder Mask Defined (NSMD) type. For NSMD pads, the solder mask opening should provide a 60 μm to 75 μm design clearance between any copper pad and solder mask. As the pad pitch is only 0.5 mm we recommend to have one solder mask opening for all four I/O pads on one side. For solder paste printing it is recommended to use a laser-cut, stainless steel stencil with electro-polished trapezoidal walls and with 0.1 or 0.125 mm stencil thickness. The length of the stencil apertures for the I/O pads should be the same as the PCB pads. However, the position of the stencil apertures should have an offset of 0.1 mm away from the center of the package. The die pad aperture should cover about 70% – 90% of the die pad area –thus it should have a size of about 0.9 mm x 1.6 mm. For information on the soldering process and further recommendation on the assembly process please consult the Handling Instructions [3], which can be found on the Sensirion webpage.

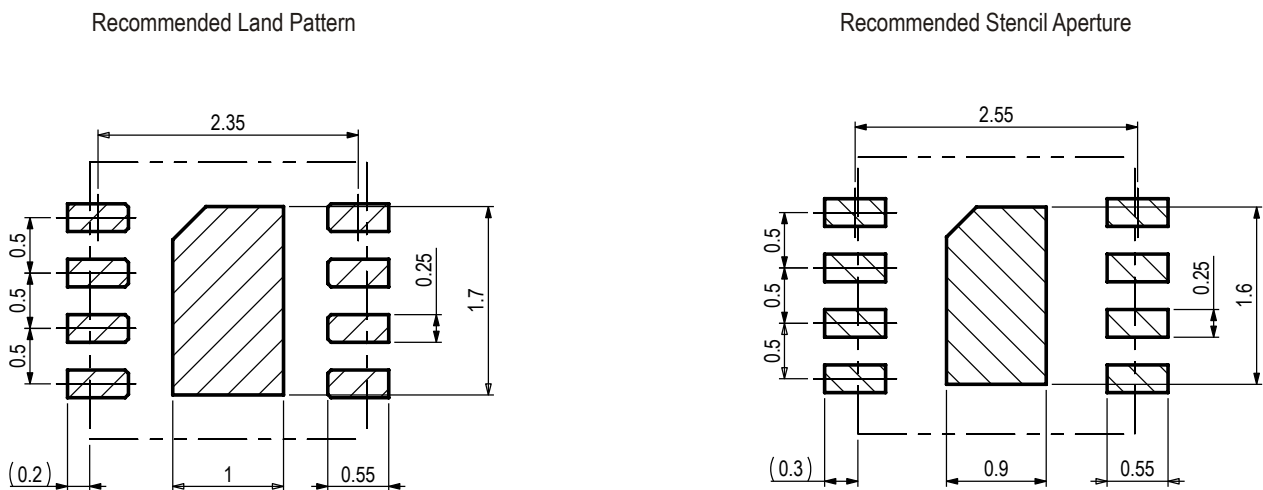


Figure 6. Recommended metal land pattern (left) and stencil apertures (right) for the STS32/33-DIS. The dashed lines represent the outer dimension of the DFN package. The PCB pads (left) and stencil apertures (right) are indicated through the shaded areas.

6 Shipping Package

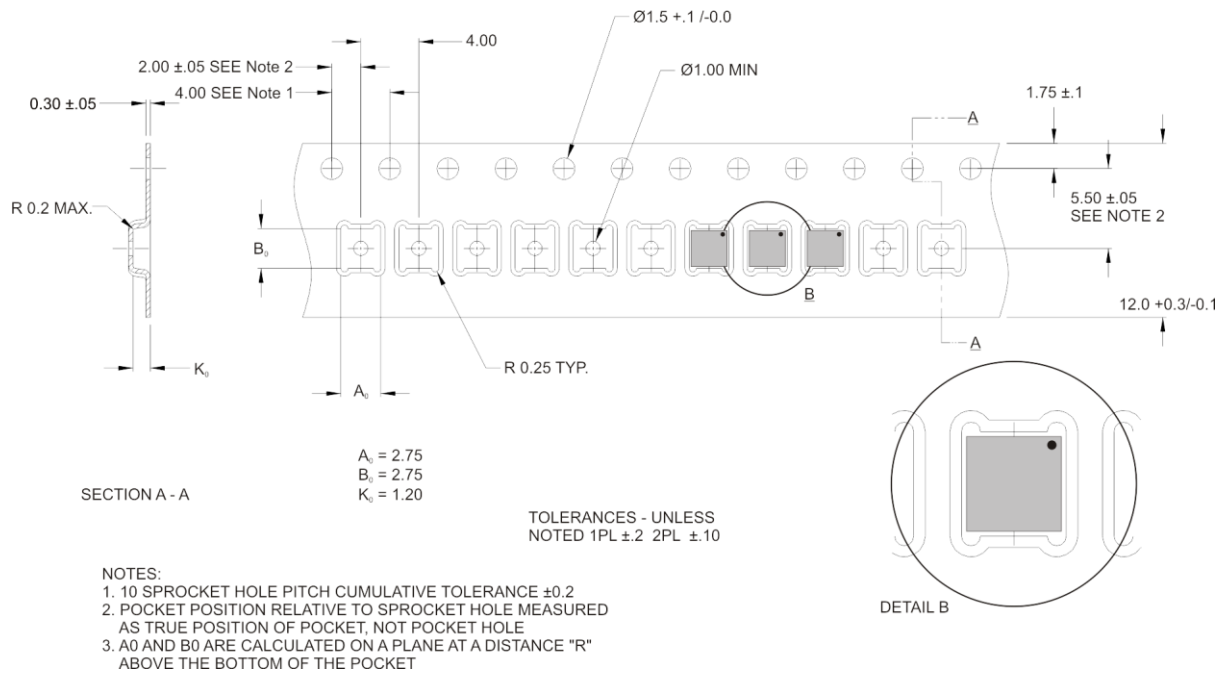


Figure 7. Technical drawing of the packaging tape with sensor orientation in tape. Header tape is to the right and trailer tape to the left on this drawing. Dimensions are given in millimeters.

7 Quality and Material Contents

Qualification of STS32/33-DIS is performed based on the JEDEC JESD47 qualification test method. The device is fully RoHS and WEEE compliant, e.g. free of Pb, Cd, and Hg. For general remarks of best practice in processing Sensirion temperature sensors please refer to temperature part of the handling instructions [3].

8 Product Nomenclature

Product Name	Explanation
STS3x-DIS	3rd generation Sensirion temperature Sensor with I2C interface
STS30-DIS	Standard STS3x-DIS
STS31-DIS	High accuracy STS3x-Dis
STS32-DIS	ISO17025 certified, high reliability, low drift, STS3x-DIS, accuracy profile 1
STS33-DIS	ISO17025 certified, high reliability, low drift, STS3x-DIS, accuracy profile 2
STS35-DIS	Highest accuracy STS3x-DIS

Table 22. STS3x product nomenclature.

9 Ordering Information

Material Description	Material Number	Details	Quantity (pcs)
STS32-DIS-2.5kS	3.000.382	3-point calibrated, ISO17025 certified, 0x44 & 0x45 I2C addr., accuracy profile 1	2'500
STS32-DIS-10kS	3.000.383		10'000
STS33-DIS-2.5kS	3.000.515	3-point calibrated, ISO17025 certified, 0x44 & 0x45 I2C addr., accuracy profile 2	2'500
STS33-DIS-10kS	3.000.516		10'000

Table 23. STS32/33 ordering options.

10 Bibliography

- [1] NXP Semiconductors, "User manual UM10204," vol. Rev. 6, 2014.
- [2] Sensirion, "SHTxx Design Guide," [Online]. Available: www.sensirion.com.
- [3] Sensirion, "Handling Instructions for Humidity Sensors," 2020.

11 Revision History

Date	Version	Page(s)	Changes
October 2020	1	all	Initial release
November 2020	2	2, all	Incorporation of STS33
December 2022	3	All 1 22	Reformatting Remodeling of title page, format, and features Inserting Product Nomenclature
December 2022	4	22	Updated Ordering Information: Typo correction

Important Notices

Warning, Personal Injury

Do not use this product as safety or emergency stop devices or in any other application where failure of the product could result in personal injury. Do not use this product for applications other than its intended and authorized use. Before installing, handling, using or servicing this product, please consult the data sheet and application notes. Failure to comply with these instructions could result in death or serious injury.

If the Buyer shall purchase or use SENSIRION products for any unintended or unauthorized application, Buyer shall defend, indemnify and hold harmless SENSIRION and its officers, employees, subsidiaries, affiliates and distributors against all claims, costs, damages and expenses, and reasonable attorney fees arising out of, directly or indirectly, any claim of personal injury or death associated with such unintended or unauthorized use, even if SENSIRION shall be allegedly negligent with respect to the design or the manufacture of the product.

ESD Precautions

The inherent design of this component causes it to be sensitive to electrostatic discharge (ESD). To prevent ESD-induced damage and/or degradation, take customary and statutory ESD precautions when handling this product. See application note "ESD, Latchup and EMC" for more information.

Warranty

SENSIRION warrants solely to the original purchaser of this product for a period of 12 months (one year) from the date of delivery that this product shall be of the quality, material and workmanship defined in SENSIRION's published specifications of the product. Within such period, if proven to be defective, SENSIRION shall repair and/or replace this product, in SENSIRION's discretion, free of charge to the Buyer, provided that:

- notice in writing describing the defects shall be given to SENSIRION within fourteen (14) days after their appearance;
- such defects shall be found, to SENSIRION's reasonable satisfaction, to have arisen from SENSIRION's faulty design, material, or workmanship;
- the defective product shall be returned to SENSIRION's factory at the Buyer's expense; and
- the warranty period for any repaired or replaced product shall be limited to the unexpired portion of the original period.

This warranty does not apply to any equipment which has not been installed and used within the specifications recommended by SENSIRION for the intended and proper use of the equipment. EXCEPT FOR THE WARRANTIES EXPRESSLY SET FORTH HEREIN, SENSIRION MAKES NO WARRANTIES, EITHER EXPRESS OR IMPLIED, WITH RESPECT TO THE PRODUCT. ANY AND ALL WARRANTIES, INCLUDING WITHOUT LIMITATION, WARRANTIES OF MERCHANTABILITY OR FITNESS FOR A PARTICULAR PURPOSE, ARE EXPRESSLY EXCLUDED AND DECLINED.

SENSIRION is only liable for defects of this product arising under the conditions of operation provided for in the data sheet and proper use of the goods. SENSIRION explicitly disclaims all warranties, express or implied, for any period during which the goods are operated or stored not in accordance with the technical specifications.

SENSIRION does not assume any liability arising out of any application or use of any product or circuit and specifically disclaims any and all liability, including without limitation consequential or incidental damages. All operating parameters, including without limitation recommended parameters, must be validated for each customer's applications by customer's technical experts. Recommended parameters can and do vary in different applications.

SENSIRION reserves the right, without further notice, (i) to change the product specifications and/or the information in this document and (ii) to improve reliability, functions and design of this product.

Copyright © 2022, by SENSIRION. CMOSens® is a trademark of Sensirion. All rights reserved

Headquarters and Subsidiaries

Sensirion AG

Laubisruestr. 50
CH-8712 Staefa ZH
Switzerland

phone: +41 44 306 40 00
fax: +41 44 306 40 30
info@sensirion.com
www.sensirion.com

Sensirion Taiwan Co. Ltd

phone: +886 3 5506701
info@sensirion.com
www.sensirion.com

Sensirion Inc., USA

phone: +1 312 690 5858
info-us@sensirion.com
www.sensirion.com

Sensirion Japan Co. Ltd.

phone: +81 3 3444 4940
info-jp@sensirion.com
www.sensirion.com/jp

Sensirion Korea Co. Ltd.

phone: +82 31 337 7700~3
info-kr@sensirion.com
www.sensirion.com/kr

Sensirion China Co. Ltd.

phone: +86 755 8252 1501
info-cn@sensirion.com
www.sensirion.com/cn

To find your local representative, please visit www.sensirion.com/distributors