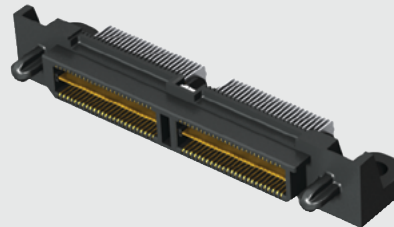


QTS-050-01-F-D-RA-WT



**QTS-RA SERIES**

**(0.635 mm) .025"**

# RIGHT-ANGLE GROUND PLANE HEADER

## SPECIFICATIONS

For complete specifications and recommended PCB layouts see [www.samtec.com?QTS-RA](http://www.samtec.com?QTS-RA)

**Insulator Material:**  
Liquid Crystal Polymer  
**Terminal Material:**  
Phosphor Bronze

**Plating:**  
Au or Sn over  
50 μm (1.27 μm) Ni  
**Current Rating:**  
Contact:  
2 A per pin  
(2 pins powered)  
Ground Plane:  
15.7 A per ground plane  
(1 ground plane powered)

**Operating Temp Range:**  
-55 °C to +125 °C  
**Voltage Rating:**  
275 VAC mated with QSS-RA  
**RoHS Compliant:**  
Yes

**Board Mates:**  
QSS

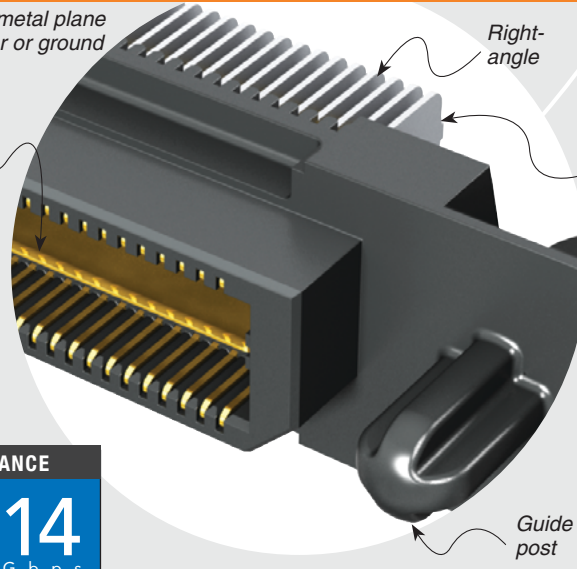
**RUGGEDIZED**  
BY SAMTEC

- Guide posts
- Weld tabs
- PCB mounting holes
- Solder pin option

Integral metal plane for power or ground

Right-angle

Selectively plated



## APPLICATIONS



HORIZONTAL



PERPENDICULAR

## HIGH-SPEED CHANNEL PERFORMANCE

QTS-RA/QSS-RA or QTS-RA/QSS-D

Rating based on Samtec reference channel.  
For full SI performance data visit [Samtec.com](http://Samtec.com)  
or contact [SIG@samtec.com](mailto:SIG@samtec.com)

14

G b p s

## PROCESSING

**Lead-Free Solderable:**  
Yes  
**SMT Lead Coplanarity:**  
(0.10 mm) .004" max (025-075)

## RECOGNITIONS

For complete scope of recognitions see [www.samtec.com/quality](http://www.samtec.com/quality)



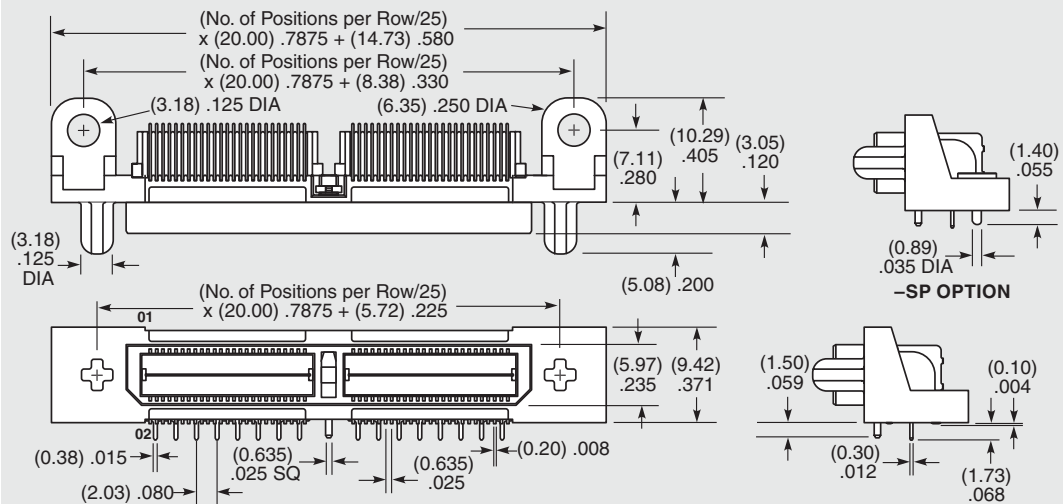
FILE NO. E111594

## ALSO AVAILABLE (MOQ Required)

- 30 μm (0.76 μm) Gold
- Differential Pair
- "Partitionable" (combine differential & single-ended banks in same connector)
- Lead Style for (2.36 mm) .093" thick board
- -LS1 Locking Screw (Mates with QSS-RA-LS1)
- -LS2 Locking Screw (Mates with QSS-LS2)
- 100 positions per row

**Note:**  
Some lengths, styles and options are non-standard, non-returnable.

<b>QTS</b>	<b>NO. OF POSITIONS PER ROW</b>	<b>01</b>	<b>PLATING OPTION</b>	<b>D</b>	<b>RA</b>	<b>WT</b>	<b>OTHER OPTION</b>
	<b>-025, -050, -075</b> (50 total positions per bank)		<b>-F</b> = Gold Flash on Signal Pins and Ground Plane, Matte Tin on tails			<b>-WT</b> = Weld Tab (Not available on 25 positions)	<b>-SP</b> = Solder Pin
			<b>-L</b> = 10 μm (0.25 μm) Gold on Signal Pins and Ground Plane, Matte Tin on tails				



Due to technical progress, all designs, specifications and components are subject to change without notice.

[WWW.SAMTEC.COM](http://WWW.SAMTEC.COM)

All parts within this catalog are built to Samtec's specifications.  
Customer specific requirements must be approved by Samtec and identified in a Samtec customer-specific drawing to apply.