



PYXIS R
7" SMART DISPLAY MODULE

DATASHEET

CONTENTS

Description	3
Applications	3
Specification	4
Screen	4
Computer hardware	4
Interfaces	5
Power	5
Environment	5
Physical dimensions	5
Mechanical drawings	6
Renderings	7
Front	7
Back	7
Side	8
Notice	9

DESCRIPTION

Pyxis R is a highly integrated display module for embedded systems allowing rapid development of graphical user interfaces, dashboards, and control panels. The module consists of a high-quality IPS display with multi-point capacitive touch input and computer hardware for interface rendering. The module contains a preinstalled operating system and web engine software, allowing applications to be developed with HTML, CSS, and JavaScript. JavaScript APIs are provided for easy integration of the module with other system components.

Applications

- Building automation, HVAC, security, conference room control
- Vending and payment machines
- Training equipment
- Kitchen appliances
- Industrial automation

SPECIFICATION

Screen

Size	7.02 inch
Resolution	1200 × 1920
Touch input	5 point, capacitive
Brightness	200 cd/m² (typ)
Contrast ratio	1200
Surface	hardened glass

Computer hardware

SoC	Broadcom BCM2837B0 Cortex-A53 64-bit SoC (1.2GHz)
GPU	VideoCore IV @ 400 MHz
RAM	1Gb LPDDR2
eMMC Flash	8Gb
Multimedia	H.264, MPEG-4 decode (1080p30); H.264 encode (1080p30); OpenGL ES 1.1, 2.0 graphics
Other	Real Time Clock with CR2032 battery backup Watchdog timer

Interfaces

Raspberry Pi compatible 40-pin GPIO header

Speaker output: 1 channel, 3.2W into 4 Ohm at 5V

USB 2.0 host port

USB 2.0 device port for system recovery

Power

Connector	1.35 x 3.5 barrel jack
Voltage	5V +/- 5%
Current	3A max

Environment

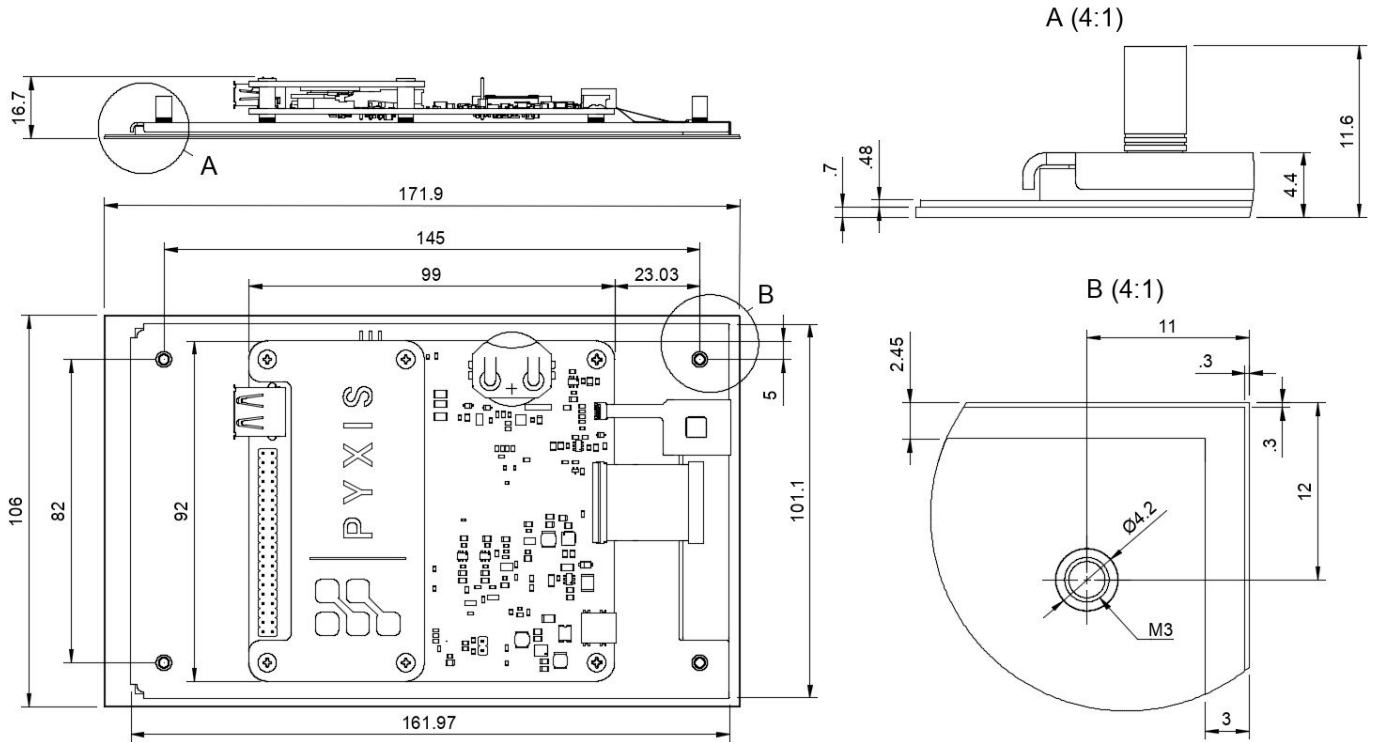
Operating temperature	-10..60 °C
Storage temperature	-30..70 °C

Physical dimensions

Open frame design (module only, no enclosure)

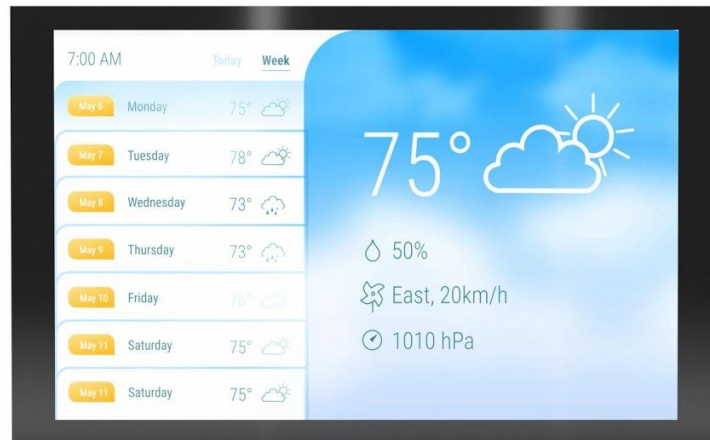
H x W x D	173.18 x 106.00 x 16.8 mm
Mounting	4 x M3 threaded standoffs

MECHANICAL DRAWINGS

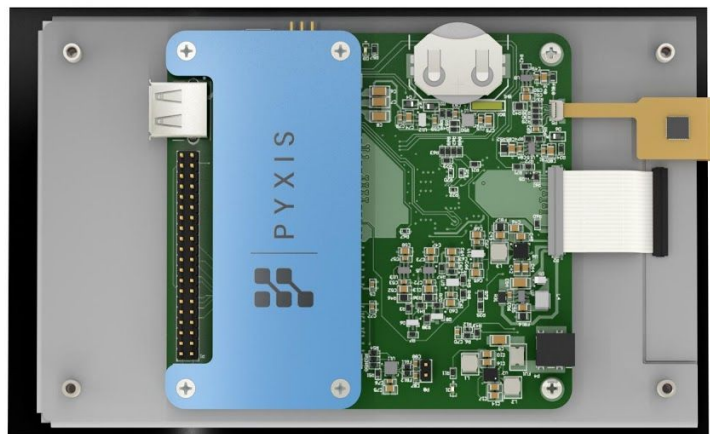


RENDERINGS

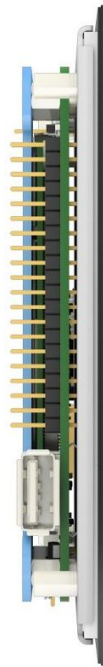
Front



Back



Side



NOTICE

Renetec, Inc. reserves the right to make changes to this document and the related product without notice.

Renetec, Inc. does not assume any liability arising out of the use of this document or the product described herein.