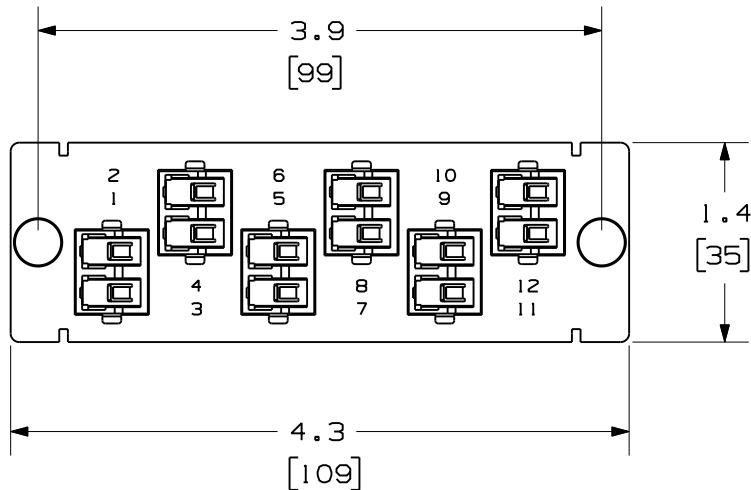
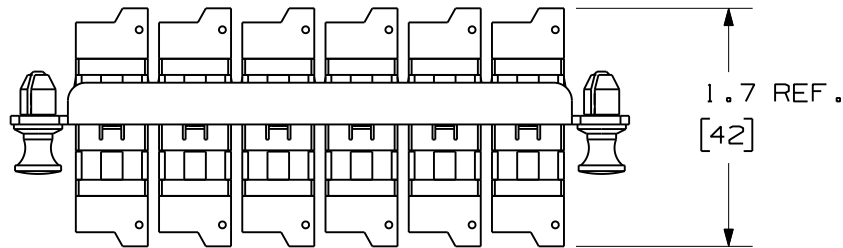
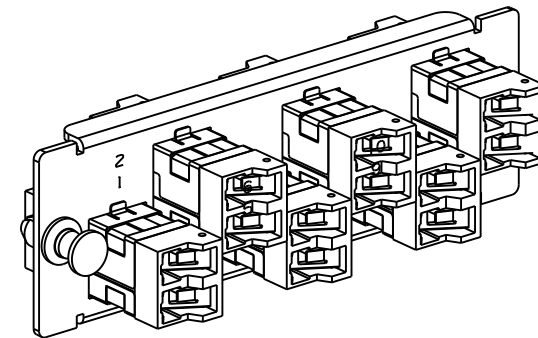


THIS COPY IS PROVIDED ON A RESTRICTED BASIS AND IS NOT TO BE USED IN ANY WAY DETRIMENTAL TO THE INTERESTS OF PANDUIT CORP.



NOTES:

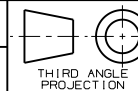
1. SEE CURRENT CATALOG FOR PART NUMBER SUFFIXES TO INDICATE COLOR AND/OR PACKAGE QUANTITIES.
2. SEE CATALOG FOR COMPLETE LIST OF PARTS APPLICABLE FOR USE WITH THIS PRODUCT.
3. MATERIALS:
A. PLATE: C.R.S. POWDER COATED.
B. ADAPTER: COMPOSITE WITH METAL CLIP.
4. ADAPTERS ARE SUPPLIED WITH DUST CAP AFFIXED TO BOTH SIDES.
5. DIMENSIONS IN BRACKETS ARE METRIC.



6 POSITION
 DUPLEX E2000 FIBER ADAPTER PANEL
 CUSTOMER DRAWING



PANDUIT™
 CORP.
 TINLEY PARK, ILL 60477



ALL DIMENSIONS ARE GIVEN IN INCHES
 UNLESS OTHERWISE SPECIFIED.
 DIMENSIONAL TOLERANCES ARE:
 (.X) ±.03 | (.XXX) ±.010 | (0.3)
 (.XX) ±.03 | (0.8) ANGLES

DRAWING FILENAME
 M01945ZU_DC_00A.prt
 SCALE
 1 : 1

DRAWN BY
 MC

REVIEW DRAWING NUMBERS

PART NO.
 FAPH6WBUDE2KZ

REV	DATE	BY	CHK	DESCRIPTION	ECN	R	CUST	SUP	OTH
R	02-18-08	MC		RELEASED TO PRODUCTION	01945-104				

DATE
 12-04-07

CHK'D

DRAWING NO.
 01945-104

SIZE
 A