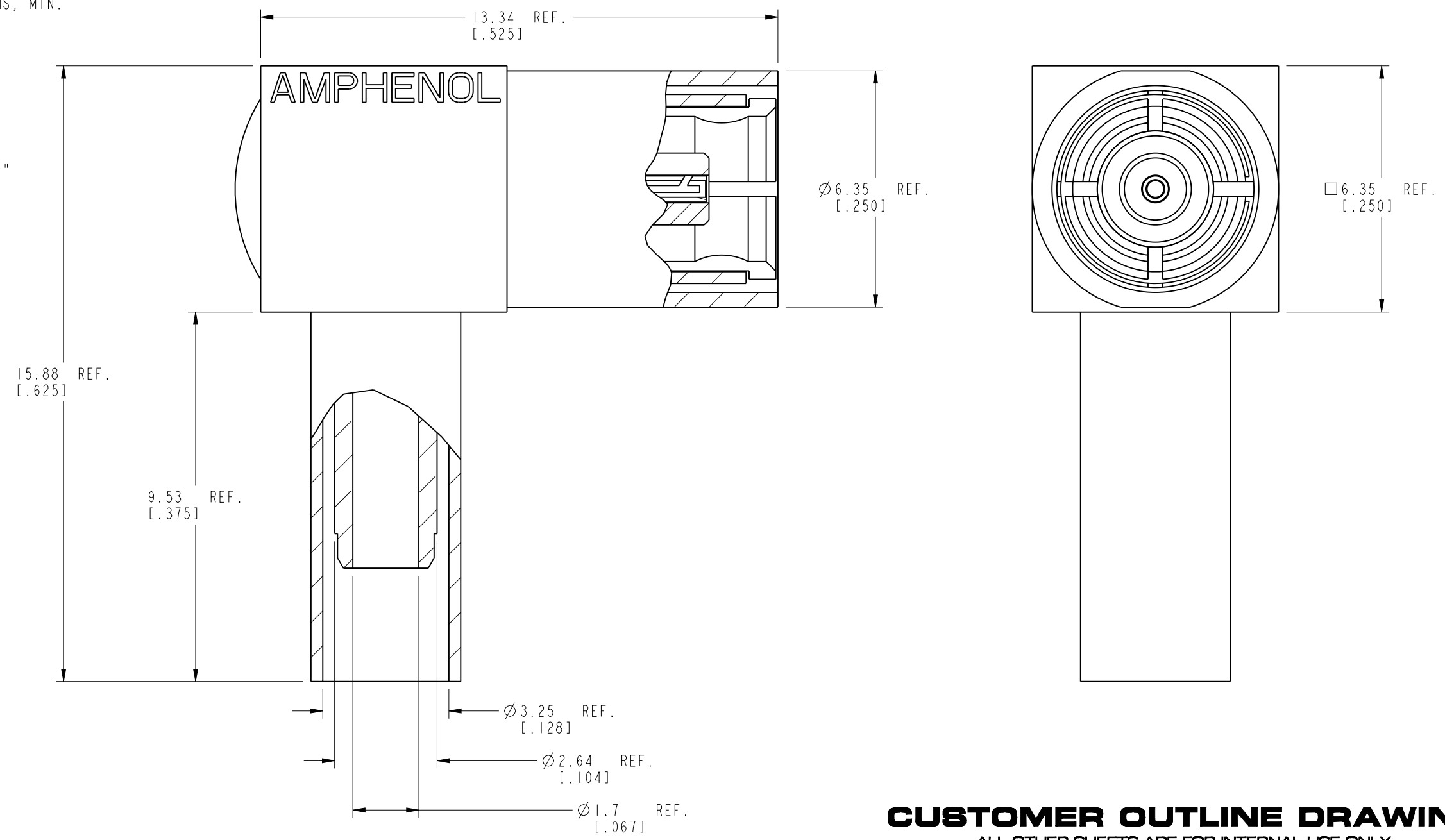


NOTES:

1. MATERIALS AND FINISHES:
 BODY - ZAMAK 3, ELECTROLESS NICKEL PLATING
 OUTER CONTACT - BRASS, GOLD PLATING
 CONTACT - BeCu, GOLD PLATING
 CAP - BRASS, NICKEL PLATING
 FERRULE - COPPER, NICKEL PLATING
 INSULATOR - PTFE
2. ELECTRICAL:
 A. IMPEDANCE: 75 OHM
 B. FREQUENCY RANGE: DC - 4 GHz
 C. DIELECTRIC WITHSTANDING VOLTAGE: 1000 VRMS, MIN.
3. MECHANICAL:
 A. DURABILITY: 500 CYCLES MIN.
 B. TEMPERATURE RANGE: -65° C TO 165° C
4. ASSEMBLY:
 SEE AMPHENOL SPEC 349-50521, SHEET 3
5. PACKAGING:
 A. QUANTITY: SINGLE PACK
 B. MARKING: PACKAGING TO BE MARKED
 "AMPHENOL RF, 903-535P-71A, AND DATE CODE"

THIRD ANGLE PROJ.

REVISIONS				
REV	DESCRIPTION	DATE	ECN	APPR
A	RELEASE TO MFG.	8/22/96	41479	PB/BG
B	SEE SHEET ONE FOR REVISIONS	4/30/97	41910	CPM/
C	RE-DRAW IN PRO-E	31-Oct-17	05671	KCE



CUSTOMER OUTLINE DRAWING
 ALL OTHER SHEETS ARE FOR INTERNAL USE ONLY

UNLESS OTHERWISE SPECIFIED, DIMENSIONS ARE IN METRIC AND TOLERANCES ARE:
 <0.5mm ±0.05mm 0.5 - 6mm ±0.1mm 6 - 30mm ±0.2mm 30 - 120mm ±0.3mm ANGLES ±1°

NOTICE - These drawings, specifications, or other data (1) are, and remain the property of Amphenol corp. (2) must be returned upon request; and (3) are confidential and not to be disclosed to any person other than those to whom they are given by Amphenol Corp. the furnishing of these drawings, specifications, or other data by Amphenol Corp., or to any other person to anyone for any purpose is not to be regarded by implication or otherwise in any manner licensing, granting rights to permitting such holder or any other person to manufacture, use or sell any product, process or design, patented or otherwise, that may in any way be related to or disclosed by said drawings, specifications, or other data.

MATERIAL -	DRAWN P. BRENZEL	DATE 7-22-96	TITLE SMB 75 OHM ANGLE PLUG FOR RG-179/U	Amphenol RF www.amphenolrf.com
REFERENCE EAR# 966260 REF: ----	ENGINEER P. BRENZEL	DATE 7-22-96		
CONFIGURATION LEVEL: In Work	APPROVED B. GLEISSNER	DATE 8-20-96	SCALE: 4.0:1.0 SHEET 2 OF 2	DRAWING NO. 903-535P-71A
FINISH	CAD FILE	DWG SIZE B	REV C	ITEM NO. 903-535P-71A
				PART NO. 903-535P-71A