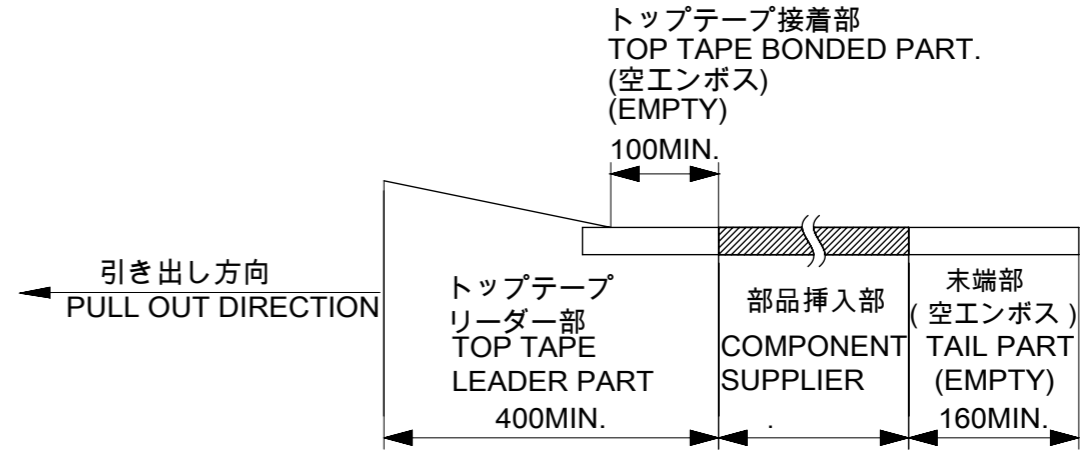
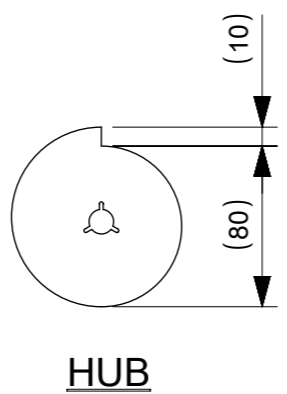
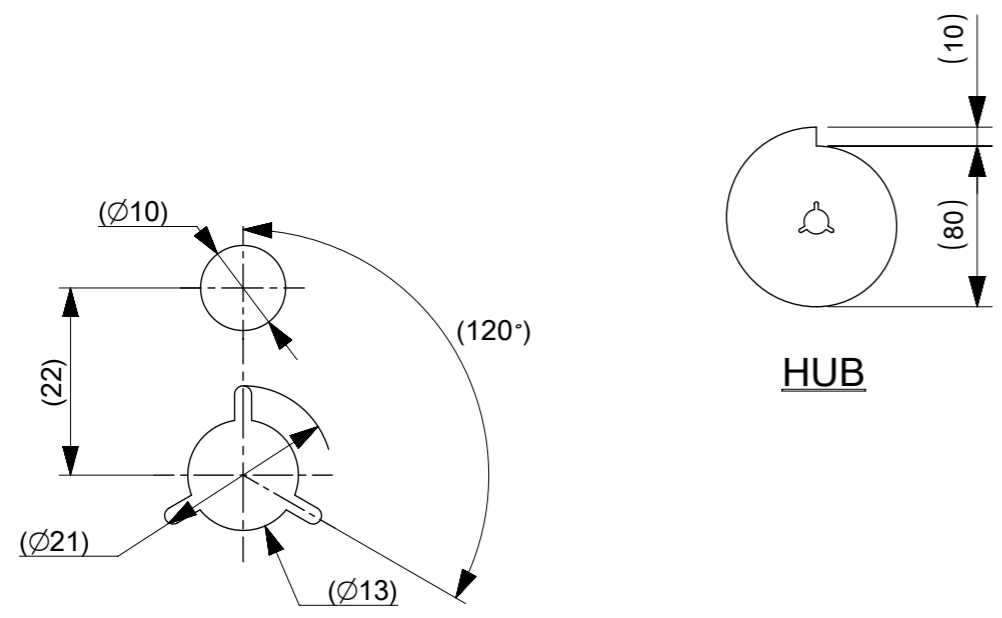


- NOTES**
- 梱包数量 : 900個 / リール  
NUMBER OF CONNECTORS : 900 PCS/REEL.
  - リードテープ長さ  
LEAD TAPE LENGTH.



- 製品詳細寸法については図面 5018641002 DOC.PART 000を参照下さい。  
RE DETAILED DIMENSION, SEE 5018641002 DOC.PART 000.
- 材料(MATERIAL)  
キャリアテープ(CARRIER TAPE) : ポリスチレン(POLYSTYRENE)  
トップテープ(TOP TAPE) : PET, PE, PE  
リール(REEL) : ポリスチレン(POLYSTYRENE)
- ELV及びRoHS適合品  
ELV AND RoHS COMPLIANT

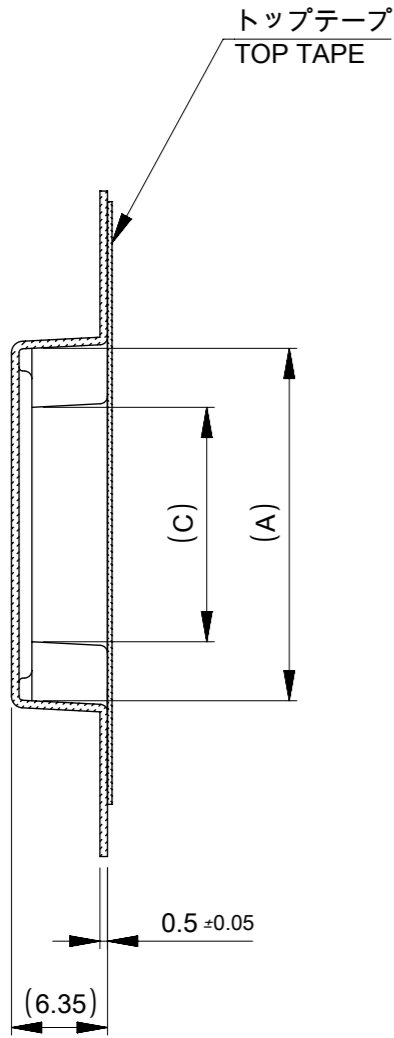


**DETAIL "F"**

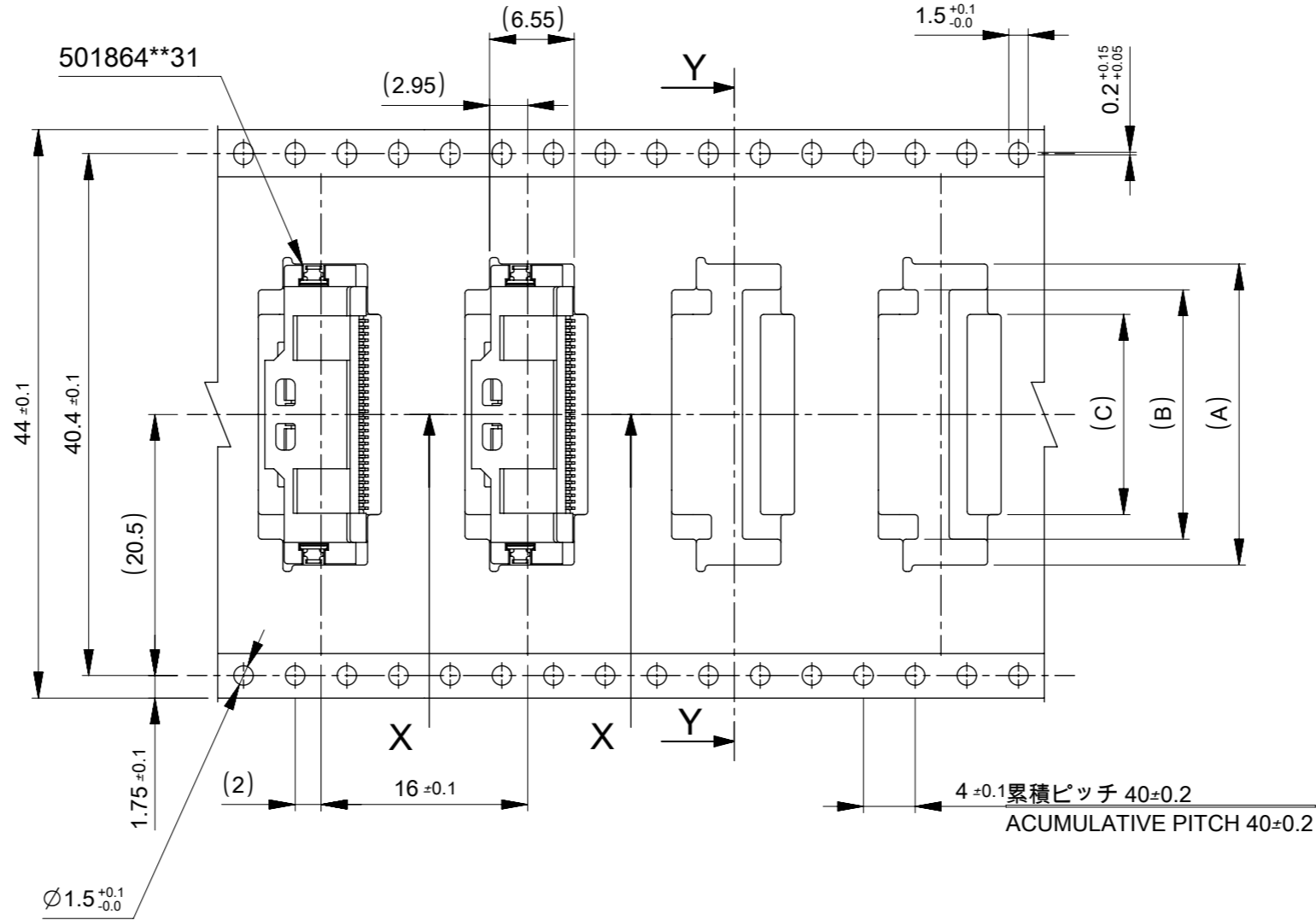
501864\*\*91 MODEL NO.

THIS DRAWING CONTAINS INFORMATION THAT IS PROPRIETARY TO MOLEX ELECTRONIC TECHNOLOGIES, LLC AND SHOULD NOT BE USED WITHOUT WRITTEN PERMISSION		CURRENT REV DESC:		<b>molex</b>	
DIMENSION UNITS	SCALE				
mm	NTS			EMBSTP PKG FOR 0.5 FFC TO BOARD ST TYPE	
GENERAL TOLERANCES (UNLESS SPECIFIED)		EC NO: 640427		PRODUCT CUSTOMER DRAWING	
ANGULAR TOL	± 1.0°	DRWN: NINOUE01	2020/06/29	DOCUMENT NUMBER	
4 PLACES	±	CHK'D: HSHIMUYAMA	2020/07/01	5018640002	
3 PLACES	±	APPR: SHOSHIKAWA	2020/07/01	DOC TYPE	DOC PART
2 PLACES	± 0.2	INITIAL REVISION:		PSD	000
1 PLACE	± 0.2	DRWN: KMKERUR	2016/02/22	REVISION	
0 PLACES	± 0.2	APPR: NUKITA	2016/04/27	C	
DRAFT WHERE APPLICABLE MUST REMAIN WITHIN DIMENSIONS		THIRD ANGLE PROJECTION	DRAWING	SERIES	MATERIAL NUMBER
			A3-SIZE	501864	CUSTOMER
					GENERAL MARKET
					SHEET NUMBER
					1 OF 3

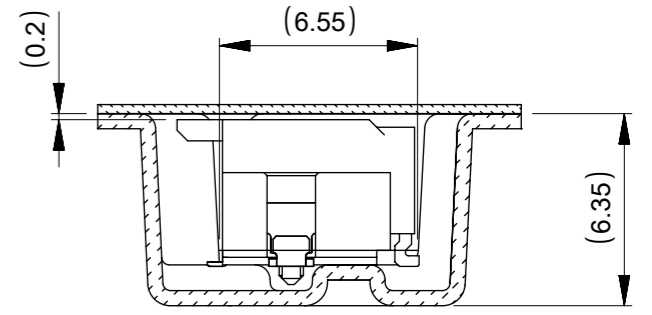
引き出し方向  
PULL OUT DIRECTION



SECT. Y-Y



44mm幅キャリアテープ  
44mm WIDTH CARRIER TAPE

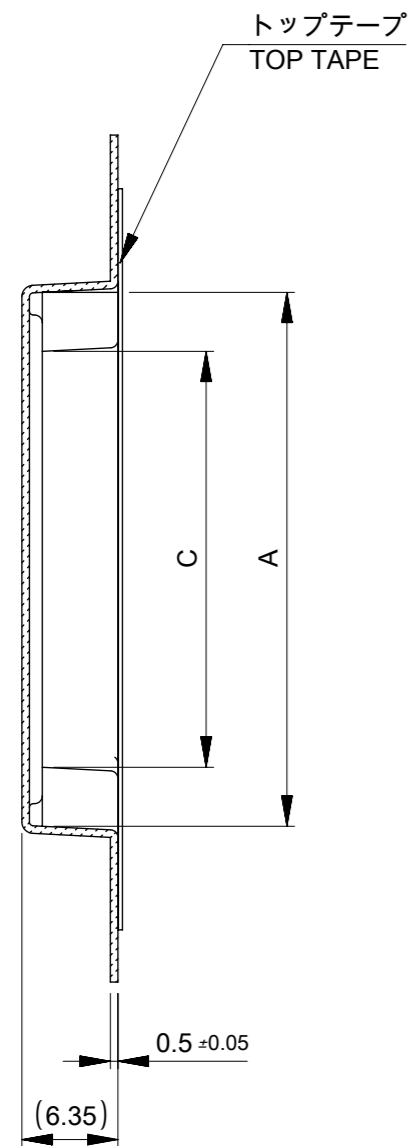


SECT. X-X

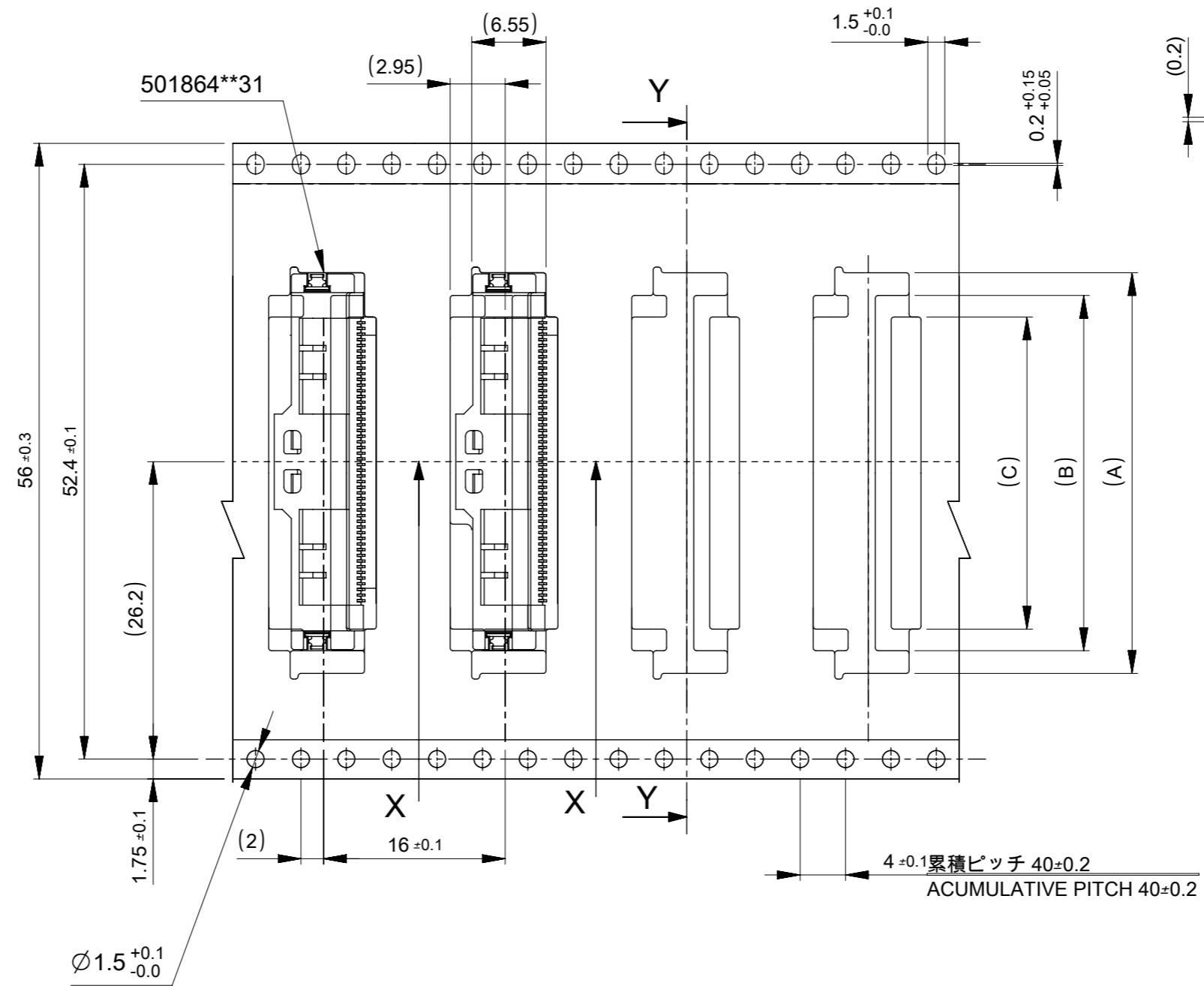
44	45.4	20.6	24.3	28.3	5018644091	40
		15.6	19.3	23.3	5018643091	30
キャリアテープ幅 CARRIER TAPE WIDTH		D	C	B	A	製品番号 MATERIAL NO.
						極数 CKT

THIS DRAWING CONTAINS INFORMATION THAT IS PROPRIETARY TO MOLEX ELECTRONIC TECHNOLOGIES, LLC AND SHOULD NOT BE USED WITHOUT WRITTEN PERMISSION		CURRENT REV DESC:		<b>molex</b>			
DIMENSION UNITS	SCALE	EC NO: 640427					
mm	NTS	DRWN: NINOUE01 2020/06/29		PRODUCT CUSTOMER DRAWING			
GENERAL TOLERANCES (UNLESS SPECIFIED)		CHK'D: HSHIMOYAMA 2020/07/01		DOCUMENT NUMBER			
ANGULAR TOL ± 1.0°		APPR: SHOSHIKAWA 2020/07/01		5018640002		DOC TYPE	DOC PART
4 PLACES	±	INITIAL REVISION:		2016/02/22		PSD	000
3 PLACES	±	DRWN: KMKERUR 2016/04/27		2016/04/27		C	
2 PLACES	± 0.2	APPR: NUKITA		MATERIAL NUMBER		CUSTOMER	
1 PLACE	± 0.2	DRAFT WHERE APPLICABLE MUST REMAIN WITHIN DIMENSIONS		A3-SIZE		GENERAL MARKET	
0 PLACES	± 0.2	THIRD ANGLE PROJECTION		SERIES		SHEET NUMBER	
		DRAWING		501864		2 OF 3	

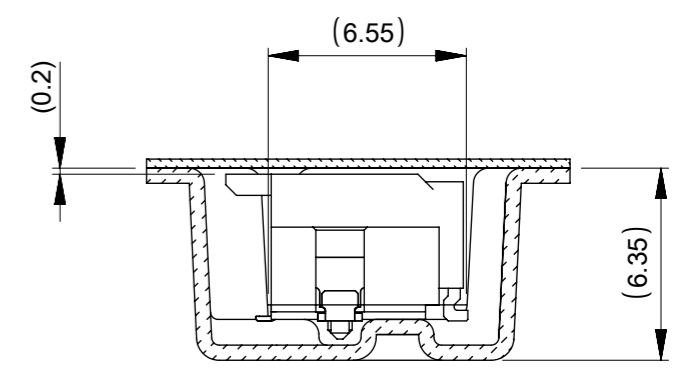
引き出し方向  
PULL OUT DIRECTION



SECT. Y-Y



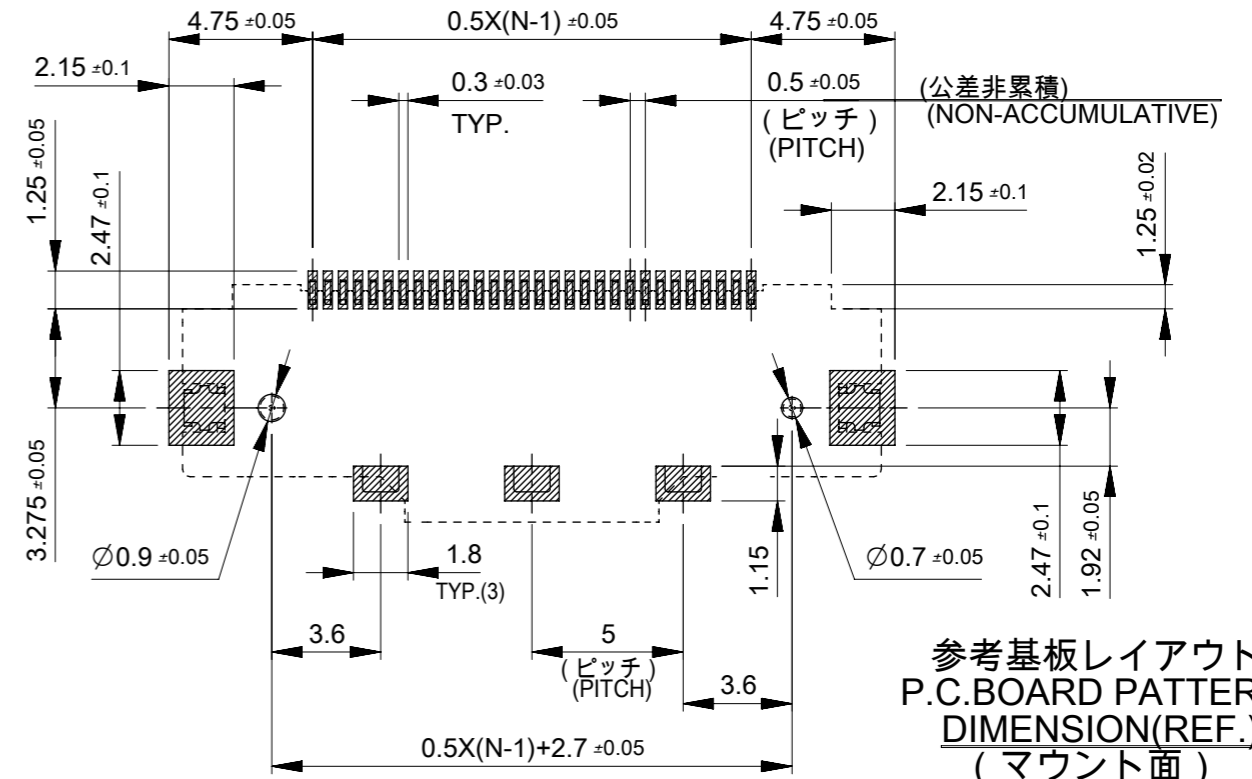
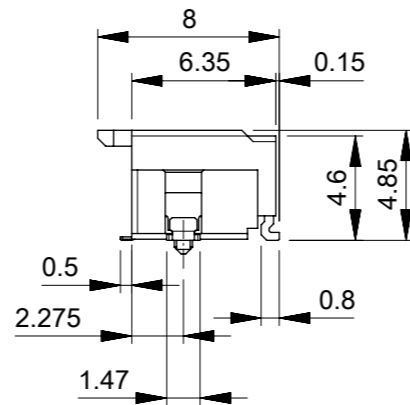
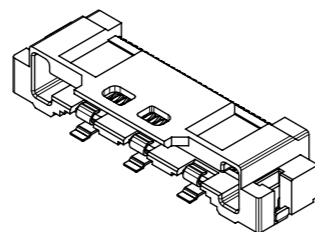
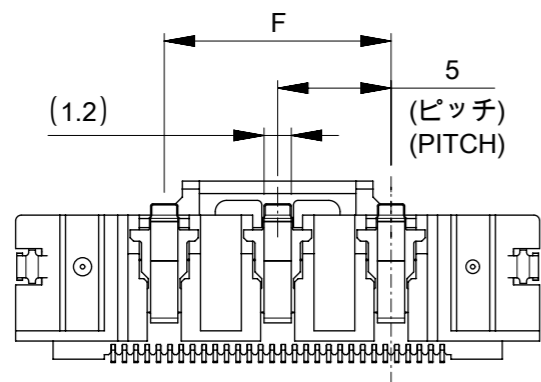
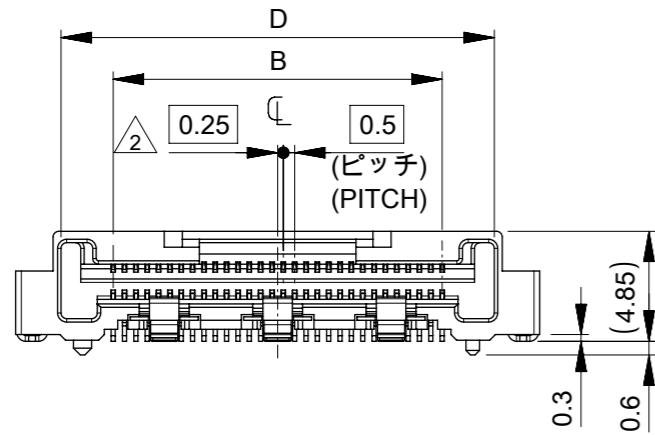
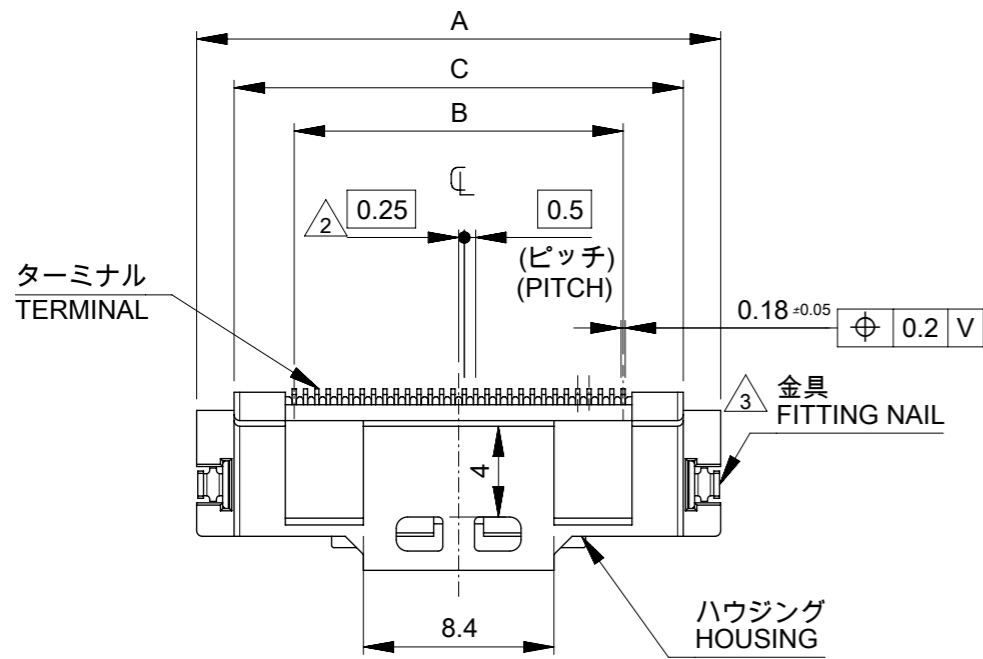
56mm幅キャリアテープ  
56mm WIDTH CARRIER TAPE



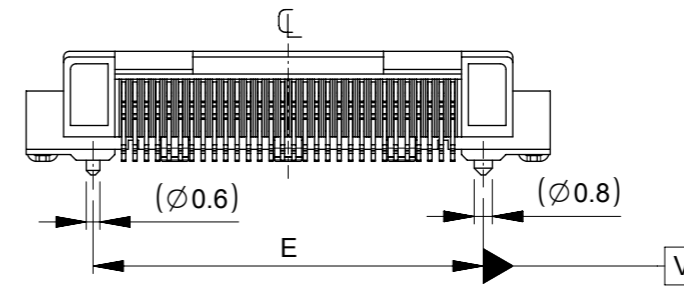
SECT. X-X

56	57.4	25.6	29.3	33.3	5018645091	50	
キャリアテープ幅 CARRIER TAPE WIDTH				D	C	B	A
					製品番号 MATERIAL NO.	極数 CKT	

THIS DRAWING CONTAINS INFORMATION THAT IS PROPRIETARY TO MOLEX ELECTRONIC TECHNOLOGIES, LLC AND SHOULD NOT BE USED WITHOUT WRITTEN PERMISSION		CURRENT REV DESC:		<b>molex</b>				
DIMENSION UNITS	SCALE	EC NO: 640427						EMBSTP PKG FOR 0.5 FFC TO BOARD ST TYPE
mm	NTS	DRWN: NINOUE01 2020/06/29		PRODUCT CUSTOMER DRAWING				
GENERAL TOLERANCES (UNLESS SPECIFIED)		CHK'D: HSHIMUYAMA 2020/07/01		DOCUMENT NUMBER				
ANGULAR TOL ± 1.0°		APPR: SHOSHIKAWA 2020/07/01		5018640002		DOC TYPE	DOC PART	REVISION
4 PLACES ±		INITIAL REVISION:		2016/02/22		PSD	000	C
3 PLACES ±		DRWN: KMKERUR 2016/04/27		2016/04/27		SHEET NUMBER		
2 PLACES ± 0.2		APPR: NUKITA		MATERIAL NUMBER		CUSTOMER		3 OF 3
1 PLACE ± 0.2		DRAFT WHERE APPLICABLE MUST REMAIN WITHIN DIMENSIONS		THIRD ANGLE PROJECTION		GENERAL MARKET		
0 PLACES ± 0.2		DRAWING		SERIES		SHEET NUMBER		
		A3-SIZE		501864				



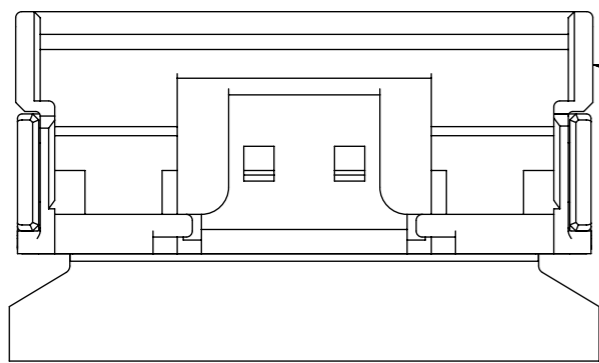
参考基板レイアウト  
P.C. BOARD PATTERN  
DIMENSION (REF.)  
(マウント面)  
(MOUNTING SIDE)



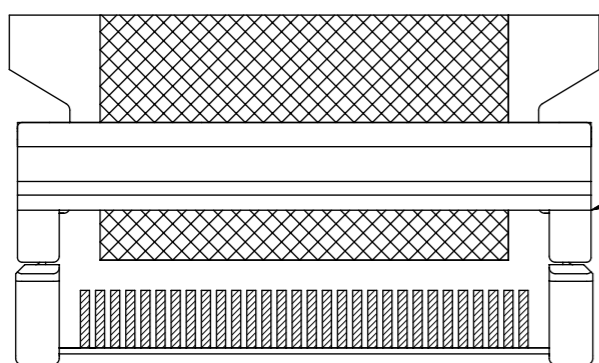
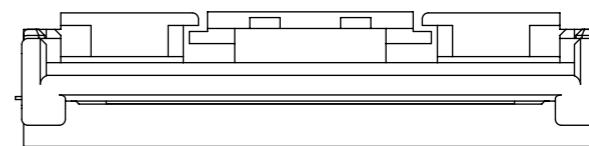
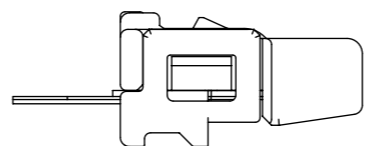
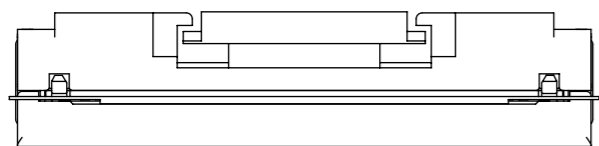
5	20	27.2	29.1	29.8	24.5	33.1	5018645091	50
4	15	22.2	24.1	24.8	19.5	28.1	5018644091	40
3	10	17.2	19.1	19.8	14.5	23.1	5018643091	30
QTY OF GROUND TERMINAL		F	E	D	C	B	A	EMBOSSED TAPE PKG. 極数 ORDER No. オーダー番号 CKTS

CONNECTOR SERIES No. 501864\*\*31

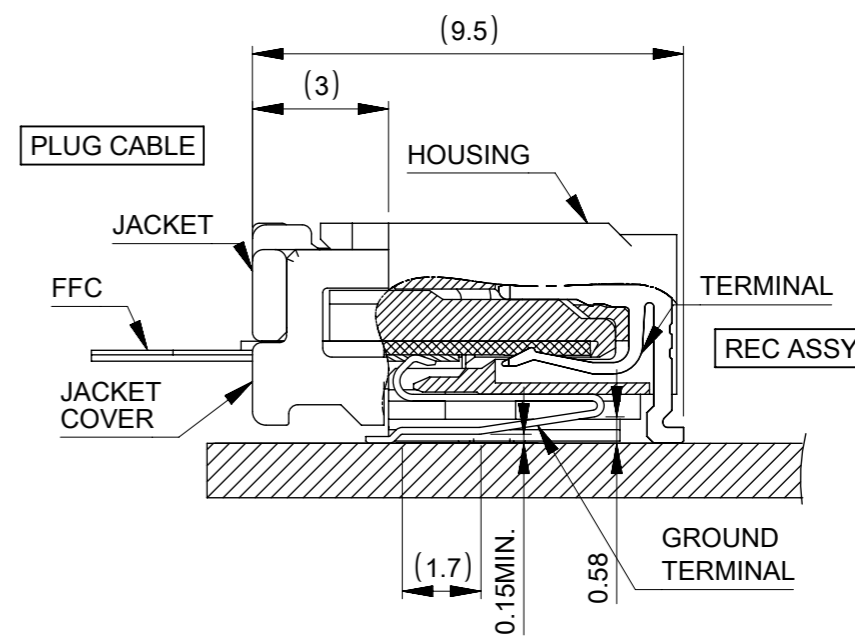
THIS DRAWING CONTAINS INFORMATION THAT IS PROPRIETARY TO MOLEX ELECTRONIC TECHNOLOGIES, LLC AND SHOULD NOT BE USED WITHOUT WRITTEN PERMISSION		CURRENT REV DESC:		<b>molex</b>	
DIMENSION UNITS mm	SCALE 3:1	EC NO: 640427 DRWN: NINOUE01 CHK'D: HSHIMOYAMA APPR: SHOSHIKAWA			
GENERAL TOLERANCES (UNLESS SPECIFIED)		2020/06/29 2020/07/01 2020/07/01		0.5 FFC TO BOARD CONN REC. HSG ASSY(RA)	
ANGULAR TOL	± 1.0°	INITIAL REVISION:		PRODUCT CUSTOMER DRAWING	
4 PLACES	±	DRWN: KMKERUR APPR: NUKITA		DOCUMENT NUMBER	DOC TYPE
3 PLACES	±	2016/02/24 2016/04/27		5018641002	PSD
2 PLACES	± 0.2	SERIES		000	REVISION
1 PLACE	± 0.2	A3-SIZE		C	
0 PLACES	± 0.2	501864			
DRAFT WHERE APPLICABLE MUST REMAIN WITHIN DIMENSIONS		THIRD ANGLE PROJECTION	DRAWING	MATERIAL NUMBER	CUSTOMER
			A3-SIZE	GENERAL MARKET	GENERAL MARKET
				SHEET NUMBER	1 OF 3



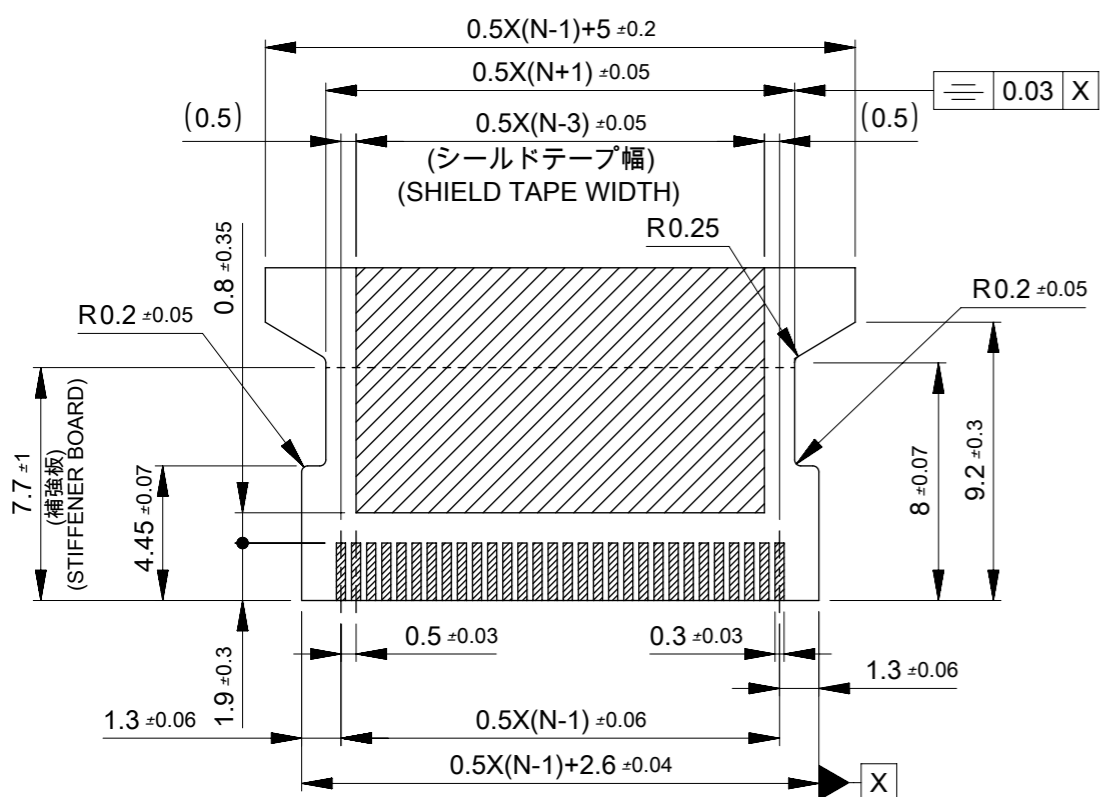
4 ジャケット  
JACKET



5 ジャケットカバー  
JACKET COVER



嵌合断面図  
MATED CONNECTOR SECTION



適合 FFC 寸法  
APPLICABLE FFC  
RECOMMENDED DIMENSION  
(仕上がり厚さ : コネクタ接点部  $0.3 \pm 0.03$   
: シールド部  $0.44 \pm 0.05$ )  
(THICKNESS : CONTACT AREA  $0.3 \pm 0.03$   
SHIELD AREA  $0.44 \pm 0.05$ )

コネクタ接点部  
CONTACT AREA  
シールド部  
SHIELD AREA

THIS DRAWING CONTAINS INFORMATION THAT IS PROPRIETARY TO MOLEX ELECTRONIC TECHNOLOGIES, LLC AND SHOULD NOT BE USED WITHOUT WRITTEN PERMISSION									
DIMENSION UNITS		SCALE		CURRENT REV DESC:					
mm		1:1		<p><b>molex</b></p> <p>0.5 FFC TO BOARD CONN REC. HSG ASSY(RA)</p> <p>PRODUCT CUSTOMER DRAWING</p> <p>DOCUMENT NUMBER: 5018641002    DOC TYPE: PSD    DOC PART: 000    REVISION: C</p> <p>GENERAL TOLERANCES (UNLESS SPECIFIED)</p> <p>ANGULAR TOL <math>\pm 1.0^\circ</math></p> <p>4 PLACES <math>\pm</math> 0.2</p> <p>3 PLACES <math>\pm</math> 0.2</p> <p>2 PLACES <math>\pm</math> 0.2</p> <p>1 PLACE <math>\pm</math> 0.2</p> <p>0 PLACES <math>\pm</math> 0.2</p> <p>DRAFT WHERE APPLICABLE MUST REMAIN WITHIN DIMENSIONS</p> <p>THIRD ANGLE PROJECTION</p> <p>DRAWING: A3-SIZE    SERIES: 501864</p> <p>MATERIAL NUMBER:    CUSTOMER: GENERAL MARKET    SHEET NUMBER: 2 OF 3</p>					
GENERAL TOLERANCES (UNLESS SPECIFIED)									
ANGULAR TOL $\pm 1.0^\circ$									
4 PLACES $\pm$ 0.2									
3 PLACES $\pm$ 0.2									
2 PLACES $\pm$ 0.2									
1 PLACE $\pm$ 0.2									
0 PLACES $\pm$ 0.2									
DRAFT WHERE APPLICABLE MUST REMAIN WITHIN DIMENSIONS		THIRD ANGLE PROJECTION		DRAWING		SERIES		MATERIAL NUMBER	
				A3-SIZE		501864			
DOCUMENT STATUS		P1		RELEASE DATE		2020/07/01		10:09:49	

注記  
NOTE

1. 使用材料 MATERIAL

ハウジング : 液晶ポリマー ( L C P ) , ガラス充填 ,  
HOUSING UL94V-0 色 : 黒色  
LIQUID CRYSTAL POLYMER(LCP),  
GLASS FILLED,UL94V-0 COLOR:BLACK

ターミナル : 燐青銅 ( t =0.18)  
TERMINAL PHOSPHOR BRONZE(t=0.18)

メッキ仕様  
PLATING

接点部 : 金メッキ 0.1マイクロメートル以上  
CONTACT AREA : GOLD 0.1 MICROMETER MINIMUM  
半田付け部 : 金メッキ 0.05マイクロメートル以上  
SOLDER TAIL AREA : GOLD 0.05 MICROMETER MINIMUM  
下地メッキ : ニッケルメッキ 1.0マイクロメートル以上  
UNDER PLATING : NICKEL 1.0 MICROMETER MINIMUM

金具 : 燐青銅 ( t =0.25 )  
FITTING NAIL PHOSPHOR BRONZE(t=0.25)  
錫メッキ 1.0マイクロメートル以上  
TIN 1.0MICROMETER MINIMUM  
下地メッキ : ニッケルメッキ 1.0マイクロメートル以上  
UNDER PLATING : NICKEL 1.0 MICROMETER MINIMUM

グラウンド端子 : 燐青銅 ( t =0.15 )  
GROUND TERMINAL PHOSPHOR BRONZE(t=0.15)  
錫メッキ 1.0マイクロメートル以上  
TIN 1.0MICROMETER MINIMUM  
下地メッキ : ニッケルメッキ 1.0マイクロメートル以上  
UNDER PLATING : NICKEL 1.0 MICROMETER MINIMUM

△<sub>2</sub> N = 偶数に適用 ( N : 極数 )  
APPLY FOR N=EVEN(N:CIRCUIT)

△<sub>3</sub> パターン剥離止め用金具  
FITTING NAIL FOR PREVENTION OF PEELING  
OF P.C.B PATTERN.

△<sub>4</sub> <30極品>  
適合ジャケット : 5017833009  
製品詳細寸法は5017832000 DOC.PART 001を参照下さい。  
<40極品>  
適合ジャケット : 5017834009  
製品詳細寸法は5017832000 DOC.PART 001を参照下さい。  
<50極品>  
適合ジャケット : 5031505009  
製品詳細寸法は5031502000 DOC.PART 000を参照下さい。  
<30CKT>  
APPLICABLE JACKET:5017833009.  
RE DETAILED DIMENSION,SEE 5017832000 DOC.PART 001.  
<40CKT>  
APPLICABLE JACKET:5017834009.  
RE DETAILED DIMENSION,SEE 5017832000 DOC.PART 001.  
<50CKT>  
APPLICABLE JACKET:5031505009.  
RE DETAILED DIMENSION,SEE 5031502000 DOC.PART 000.

△<sub>5</sub> <30極品>  
適合ジャケットカバー : 5017843008  
製品詳細寸法は5017842001 DOC.PART 000を参照下さい。  
<40極品>  
適合ジャケットカバー : 5017844008  
製品詳細寸法は5017842001 DOC.PART 000を参照下さい。  
<50極品>  
適合ジャケットカバー : 5031515009  
製品詳細寸法は5031512000 DOC.PART 000を参照下さい。  
<30CKT>  
APPLICABLE JACKET:5017843008.  
RE DETAILED DIMENSION,SEE 5017842001 DOC.PART 000.  
<40CKT>  
APPLICABLE JACKET:5017844008.  
RE DETAILED DIMENSION,SEE 5017842001 DOC.PART 000.  
<50CKT>  
APPLICABLE JACKET:5031515009.  
RE DETAILED DIMENSION,SEE 5031512000 DOC.PART 000.

6. ELV及びRoHS適合品  
ELV AND RoHS COMPLIANT

THIS DRAWING CONTAINS INFORMATION THAT IS PROPRIETARY TO MOLEX ELECTRONIC TECHNOLOGIES, LLC AND SHOULD NOT BE USED WITHOUT WRITTEN PERMISSION													
DIMENSION UNITS		SCALE		CURRENT REV DESC:				<b>molex</b>					
mm		1:1											
GENERAL TOLERANCES (UNLESS SPECIFIED)				EC NO: 640427 DRWN: NINOUE01 2020/06/29 CHK'D: HSHIMOYAMA 2020/07/01 APPR: SHOSHIKAWA 2020/07/01 INITIAL REVISION: DRWN: KMKERUR 2016/02/24 APPR: NUKITA 2016/04/27				0.5 FFC TO BOARD CONN REC. HSG ASSY(RA)					
ANGULAR TOL ± 1.0 °								PRODUCT CUSTOMER DRAWING					
4 PLACES ±		0.2						DOCUMENT NUMBER		DOC TYPE		DOC PART	
3 PLACES ±		0.2						5018641002		PSD		000	
2 PLACES ±		0.2						2016/02/24		C		REVISION	
1 PLACE ±		0.2		2016/04/27		GENERAL MARKET		SHEET NUMBER					
0 PLACES ±		0.2		A3-SIZE		501864		3 OF 3					
DRAFT WHERE APPLICABLE MUST REMAIN WITHIN DIMENSIONS				THIRD ANGLE PROJECTION		DRAWING		SERIES					
						A3-SIZE		501864					

DOCUMENT STATUS	P1	RELEASE DATE	2020/07/01	10:09:49
-----------------	----	--------------	------------	----------