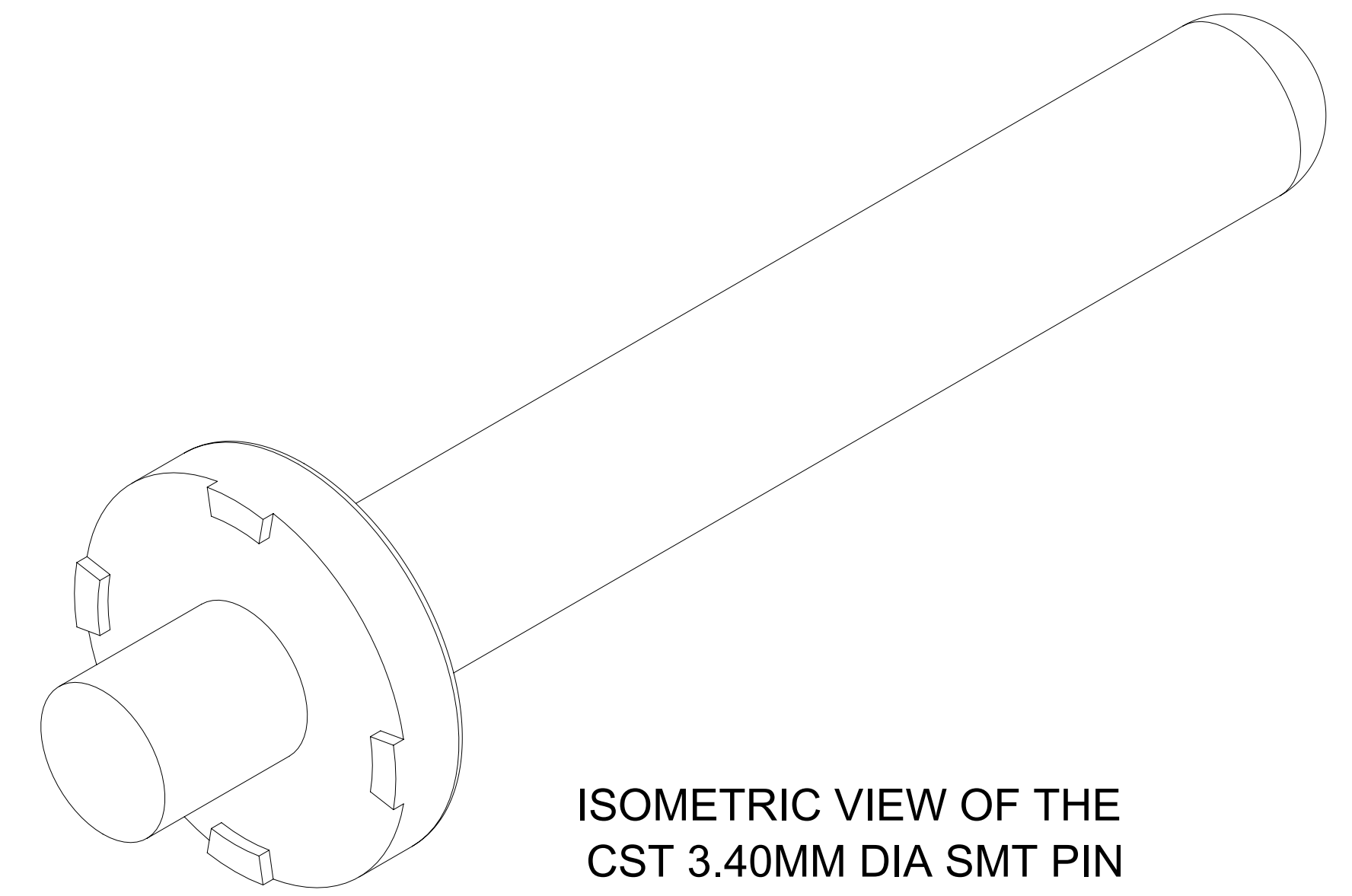


RECOMMENDED PCB LAYOUT



ISOMETRIC VIEW OF THE  
CST 3.40MM DIA SMT PIN

NOTES:

1. MATERIALS:
  - BASE METAL: HIGH CONDUCTIVE COPPER ALLOY
  - PLATING ON BODY: 3.18 MICRON MIN SILVER OVER 1.27 MICRON MIN NICKEL
2. PRODUCT SPECIFICATION: 2043130018-PS
3. APPLICATION SPECIFICATION: 2043130018-AS
4. PACKAGING SPECIFICATION: 2032630006-PK
5. SILVER COMPONENTS WILL BE SUPPLIED TARNISH FREE BUT MAY TARNISH OVER TIME.
6. MINIMUM RECOMMEND PCB THICKNESS 1.58MM

PART NUMBER	DIMENSION "L"
203263-1134	26.00
203263-1234	20.00
203263-1334	14.00
203263-1434	12.00
203263-1534	39.00
A4 203263-1634	14.50
A4 203263-1734	10.00
A4 203263-1834	15.50

THIS DRAWING CONTAINS INFORMATION THAT IS PROPRIETARY TO MOLEX ELECTRONIC TECHNOLOGIES, LLC AND SHOULD NOT BE USED WITHOUT WRITTEN PERMISSION											
DIMENSION UNITS <b>mm</b>		SCALE <b>5:1</b>		CURRENT REV DESC: ADDED PART NUMBER 203263-1634, -1734 & -1834 IN THE TABLE.							
GENERAL TOLERANCES (UNLESS SPECIFIED)				EC NO: 660831							
ANGULAR TOL ± 0.5°				DRWN: GJEEVANSURES 2021/03/13				CST 3.40MM DIA SMT MALE PIN			
4 PLACES ±				CHK'D: GJEEVANSURES 2021/04/14							
3 PLACES ±				APPR: HTHYAGARAJ 2021/04/20				PRODUCT CUSTOMER DRAWING			
2 PLACES ± 0.15				INITIAL REVISION:							
1 PLACE ± 0.25				DRWN: RLOW 2019/06/03				DOCUMENT NUMBER <b>2032631134-SD</b>			
0 PLACES ±				APPR: BPISZCZOR 2019/06/10							
DRAFT WHERE APPLICABLE MUST REMAIN WITHIN DIMENSIONS		THIRD ANGLE PROJECTION		DRAWING <b>D-SIZE</b>		SERIES <b>203263</b>		MATERIAL NUMBER REFER TABLE		CUSTOMER GENERAL MARKET	
								PSD 000		A4	
										SHEET NUMBER 1 OF 1	