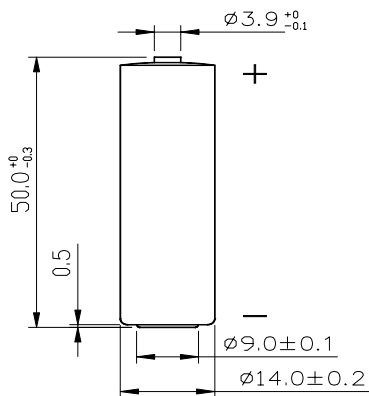


SPECIFICATIONS

(Typical values for batteries stored at 20 °C for one year)

Nominal Capacity (At 2 mA/20 °C/68 °F/2.0V Cut-Off)	2.4 Ah
Open Circuit Voltage (At 20 °C/68 °F)	3.67 V
Nominal Voltage (At 2mA/20 °C/68 °F)	3.6 V
Maximum Continuous Current	100 mA
Maximum Pulse Current Capability	200 mA
Rated 1 Sec. Pulse Capability (To 3V)	40 mA
Operating Temperature Range	-55 ~ 85 °C
Weight	17.6 g (0.62 oz)
Anode Surface Area	14 cm²
Volume	8.0 cm³
Diameter (Max)	14.5 mm
Height (Max)	50.5 mm

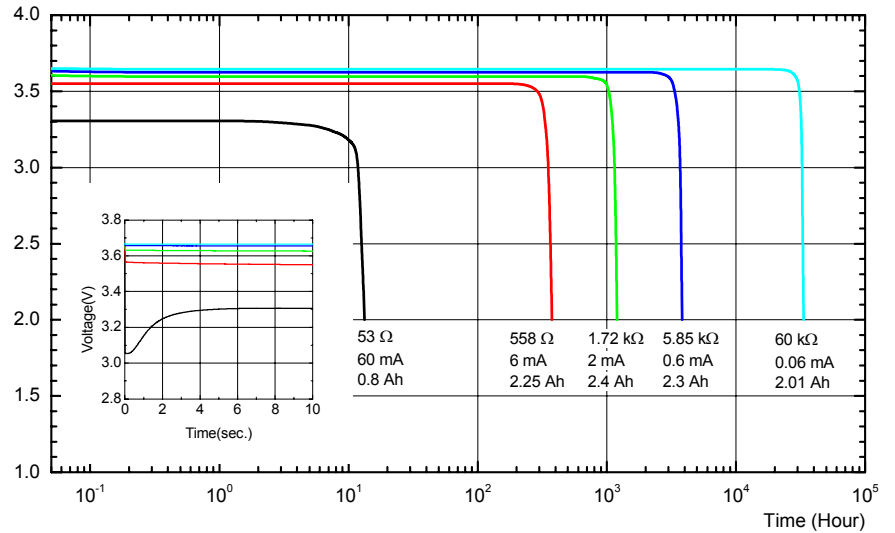
DIMENSIONS IN MM



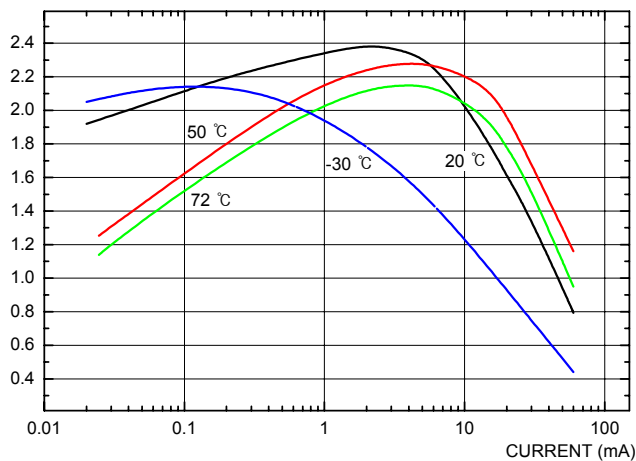
WARNING

Fire, Explosion And Severe Burn Hazard.
 Do Not Recharge, Crush, Disassemble,
 Heat Above 212°F (100°C), Incinerate
 Or Expose Contents To Water

DISCHARGE CHARACTERISTICS AT +20°C



CAPACITY vs. CURRENT



OPERATING VOLTAGE

