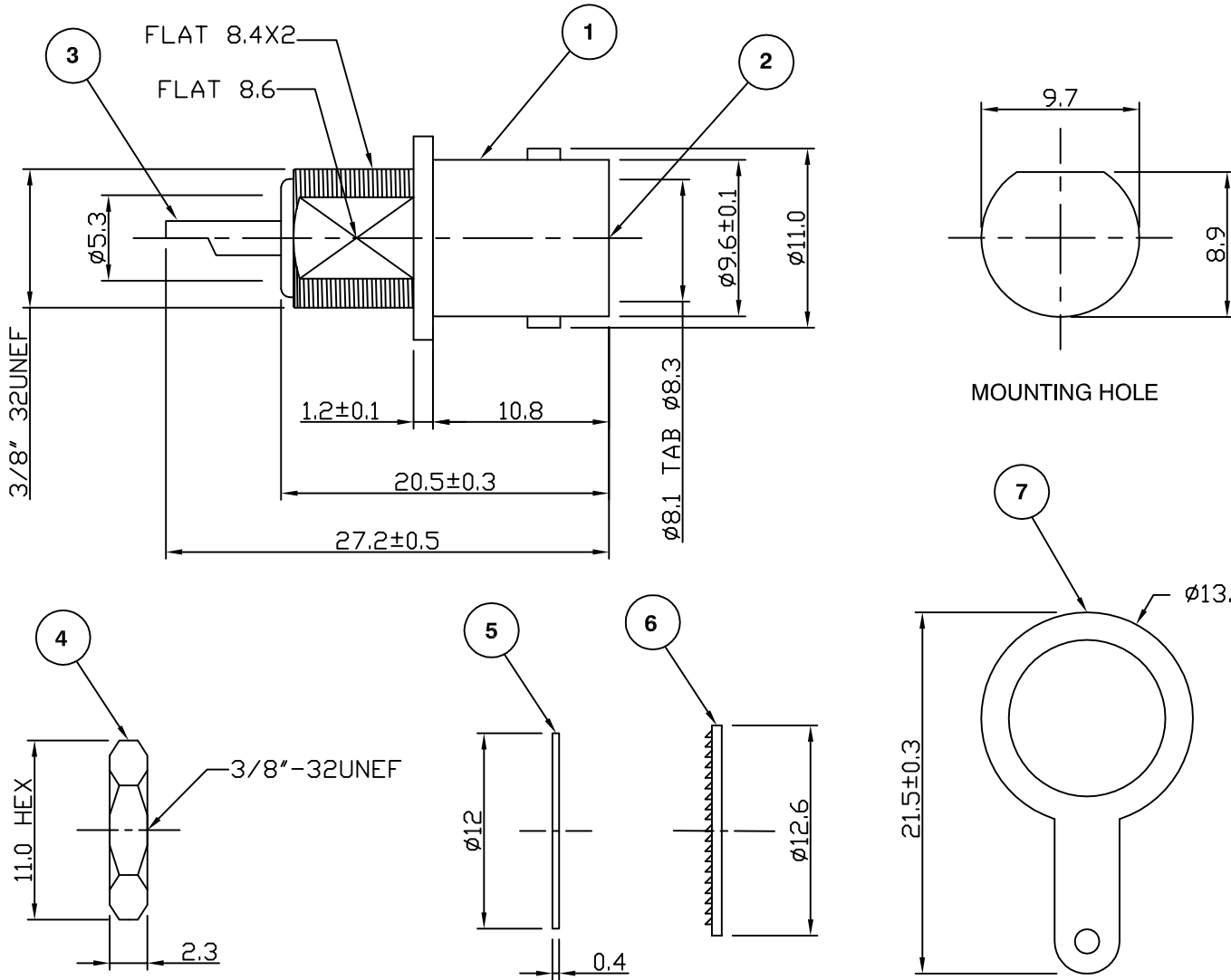


RoHS COMPLIANT



Electrical Characteristics

Nominal Impedance:	75 ohms
Frequency Range:	DC to 1 GHz
Insertion Loss:	0.2 dB at 1 GHz
Operating Voltage (rms):	500 V maximum at sea level
Dielectric Withstand Voltage (rms):	1500 V maximum at sea level
Contact Resistance:	1.5 milliohms maximum
Insulation Resistance:	5000 megohms minimum

Mechanical Characteristics

Mating Cycles:	500 cycles minimum
Interface Dimensions:	Conform to MIL-C-39012

Environmental Characteristics

Temperature Range:	-55 °C to +85 °C
--------------------	------------------

PART	DESCRIPTION
1	Body Zinc, nickel plated
2	Dielectric POM
3	Contact Brass, gold plated
4	Nut Brass, nickel plated
5	Washer Brass, nickel plated
6	Washer Iron, nickel plated
7	Solder Tag Brass, Nickel plated

Updated with Item6-Washer	JT	4	26 April 10
Address & RoHS added	MS	3	11 Sep 09
CAD Issue	SN	2	01 Feb 02
First Issue	AT	1	16 Oct 94
DESCRIPTION OF REVISION	APPVD	ISS	DATE



Cinch Connectivity Solutions
 7-13 Russel Way,
 Widford Industrial Estate,
 Chelmsford, Essex,
 CM1 3AA, UK.
 Tel: +44 (0) 1245 359515
 Fax: +44 (0) 1245 358938

SCALE: Not To Scale

DIMENSIONS: mm

TOLERANCES:
 ± 0.2mm unless
 otherwise stated

DRAWN BY:	S Nash
CHECKED BY:	S Nash
APPROVED BY:	M Nielsen
DATE:	01 Feb 02

TITLE:
 BNC Panel Mount Jack

PART NUMBER:
VB1094-75

PAGE: 1 of 1