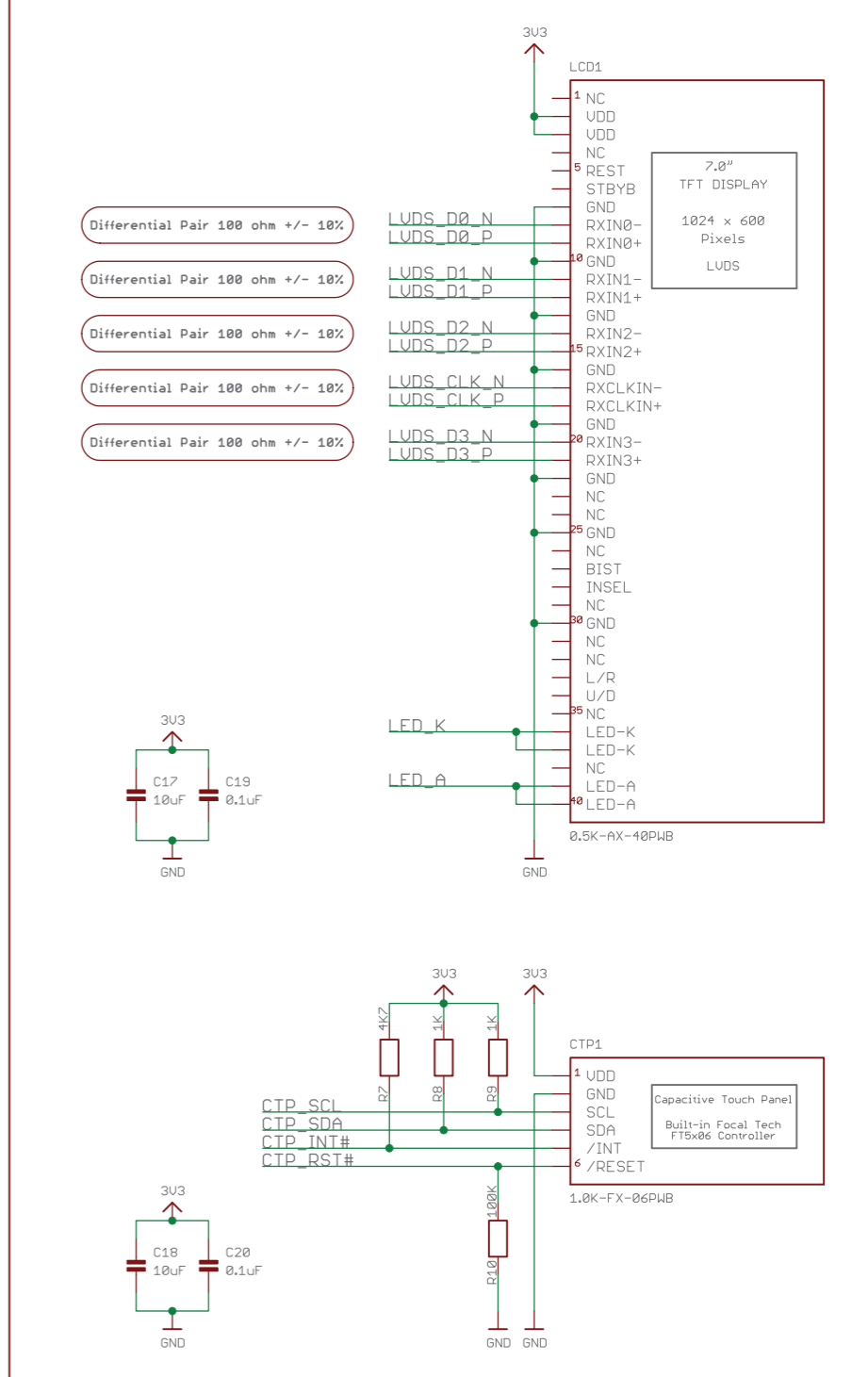
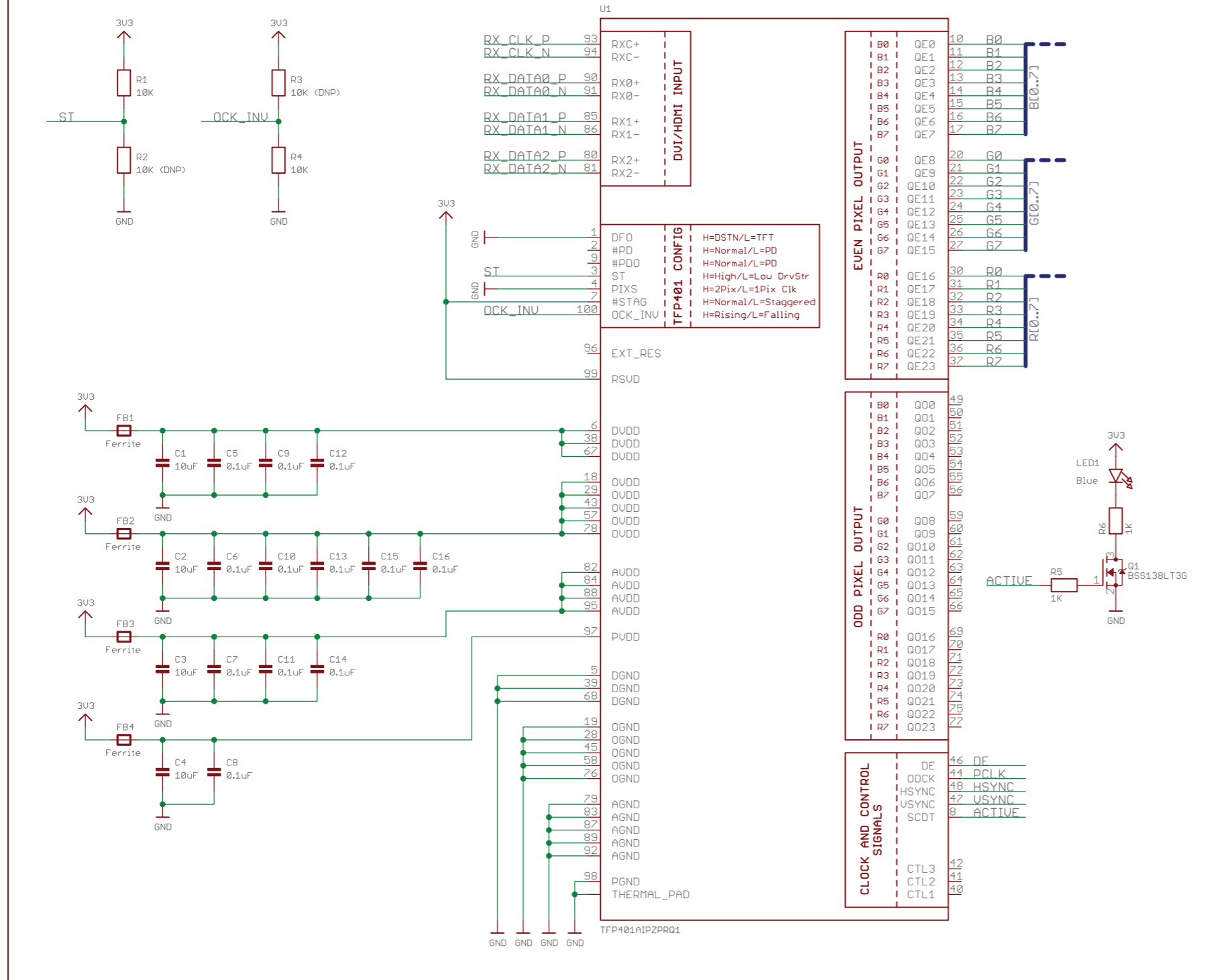


TFP401 (DVI/HDMI Decoder)

LCD Interface



NEWHAVEN DISPLAY INTERNATIONAL

SCHEMATIC/PART NUMBER: **NHD-7.0-HDMI-HR_SCH**

REVISION: -

SIZE: A3

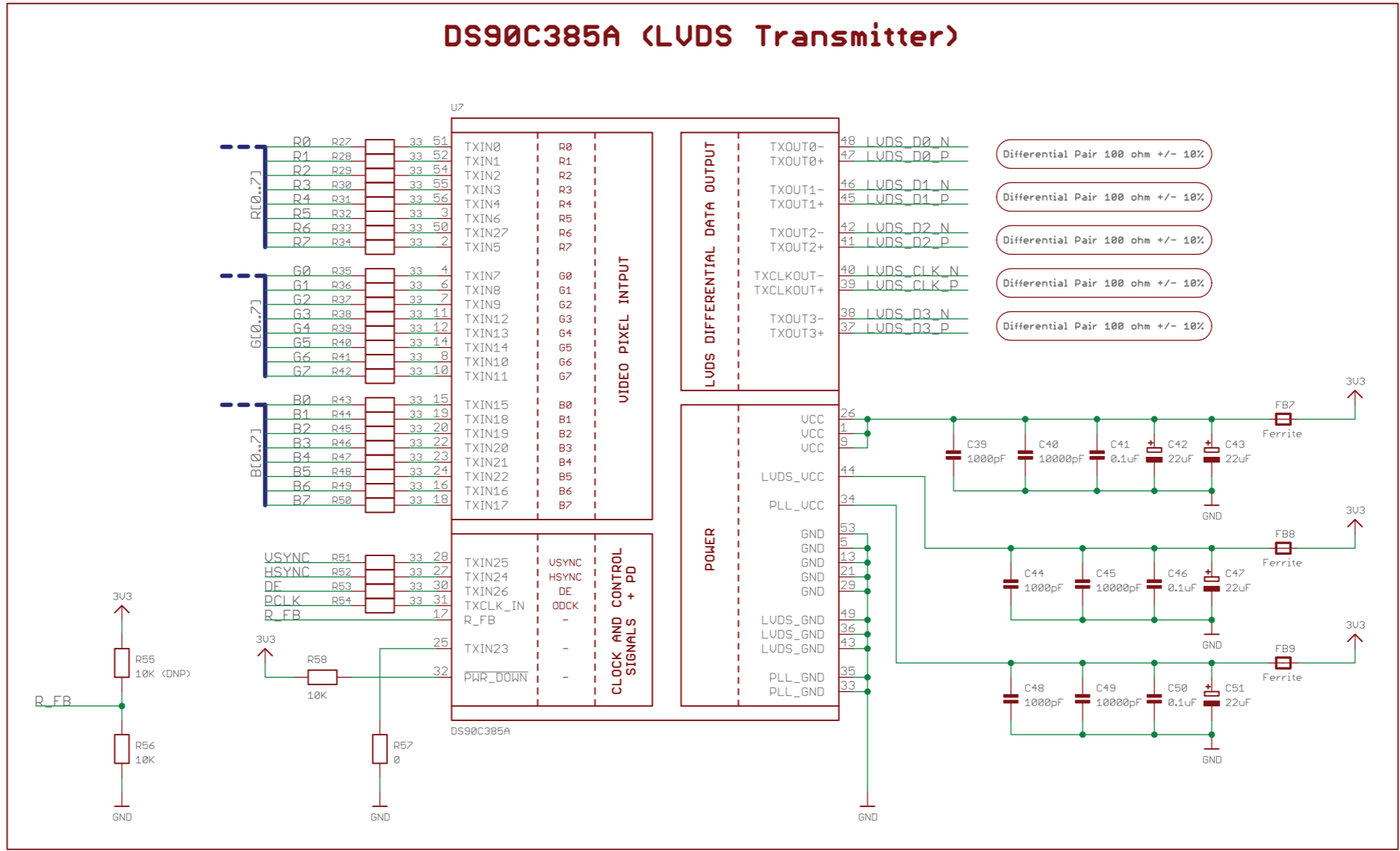
DRAWN BY: **P. Bartek** CHECKED BY: **M. LaVine**

DRAWN DATE: **05/31/19** CHECKED DATE: **05/31/19**

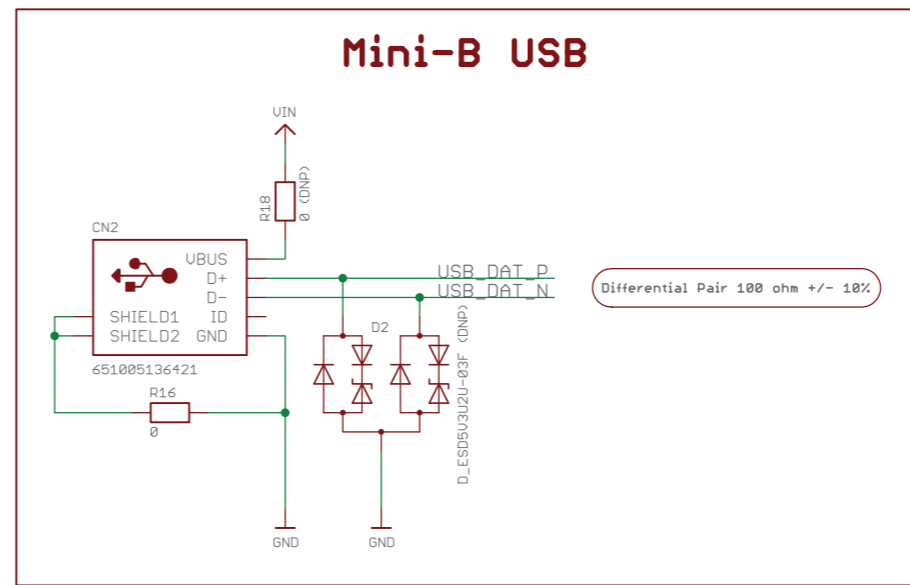
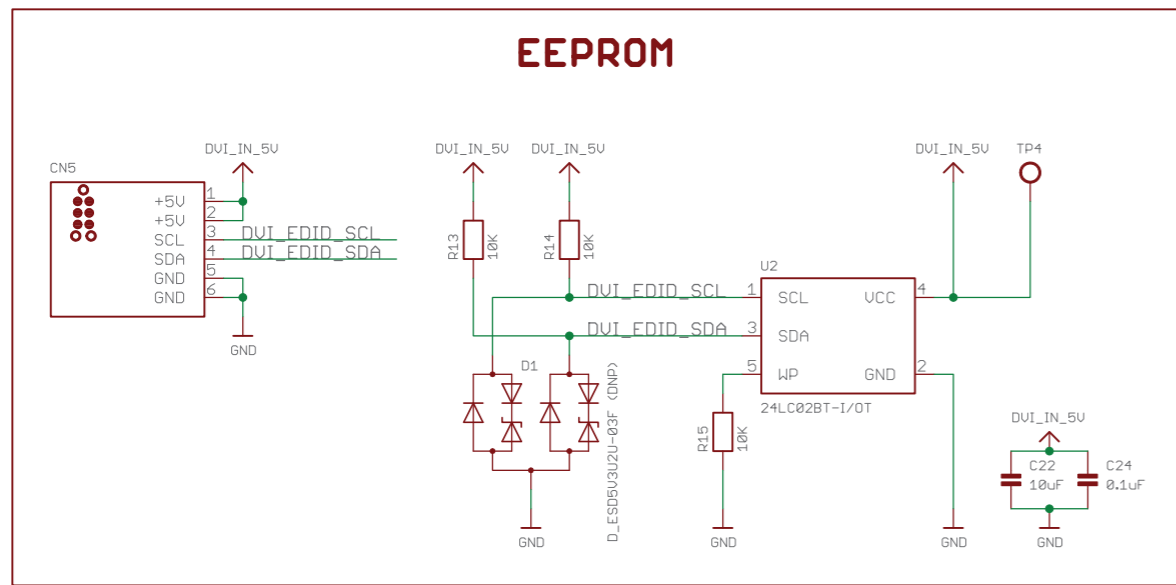
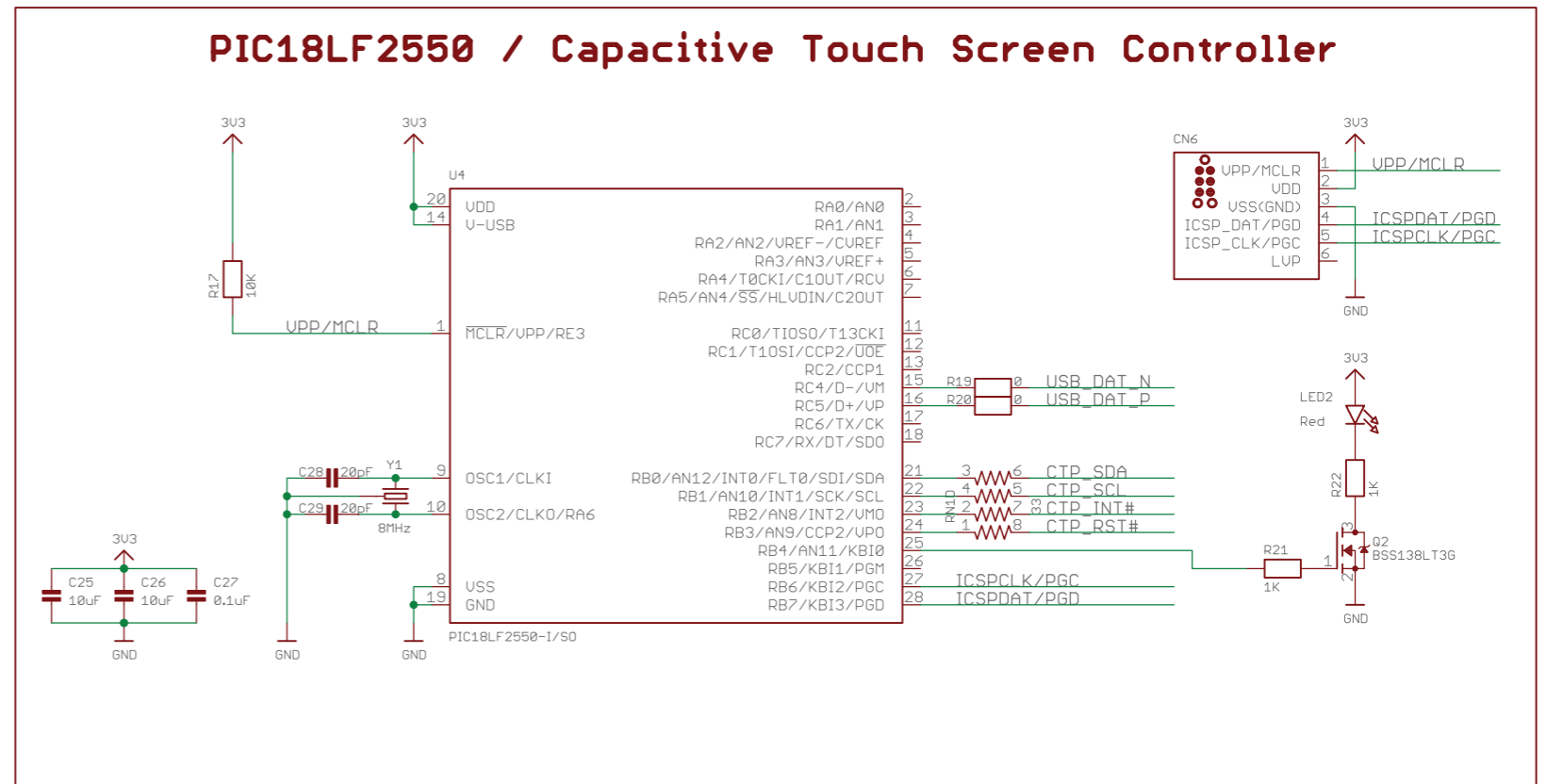
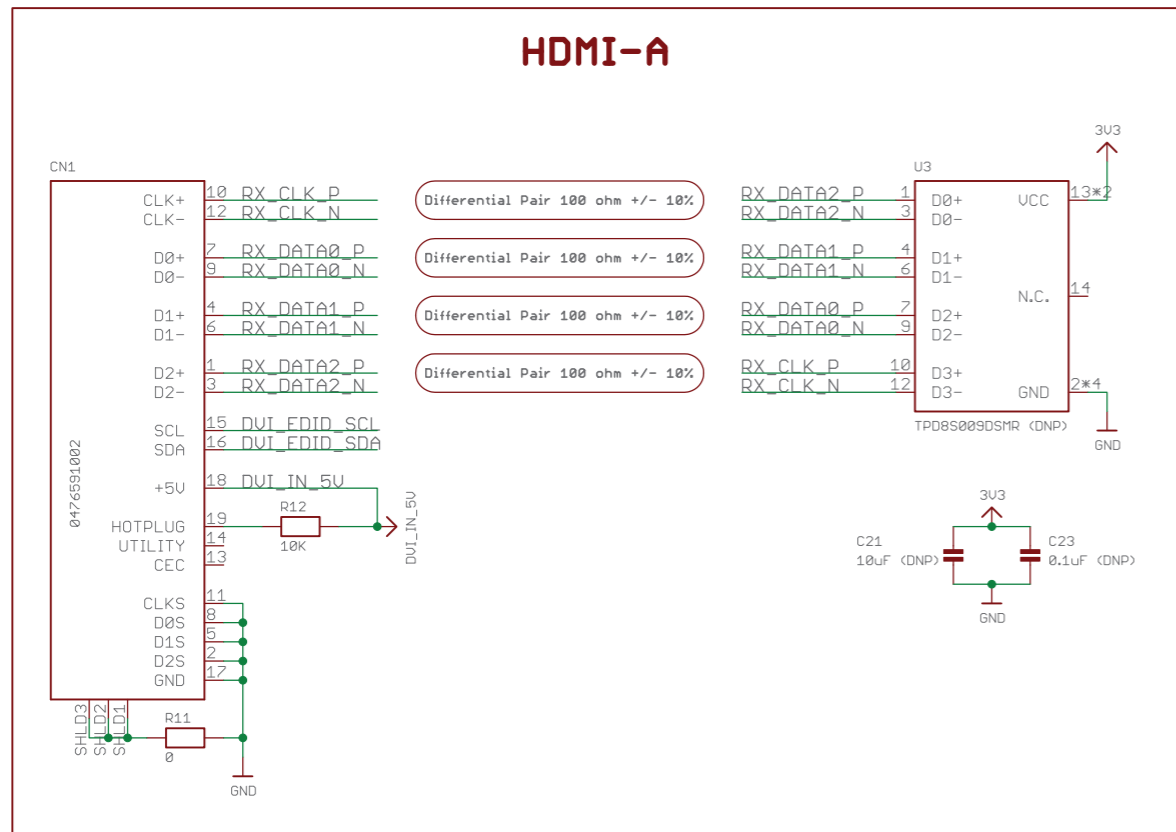
SHEET: 1 of 4

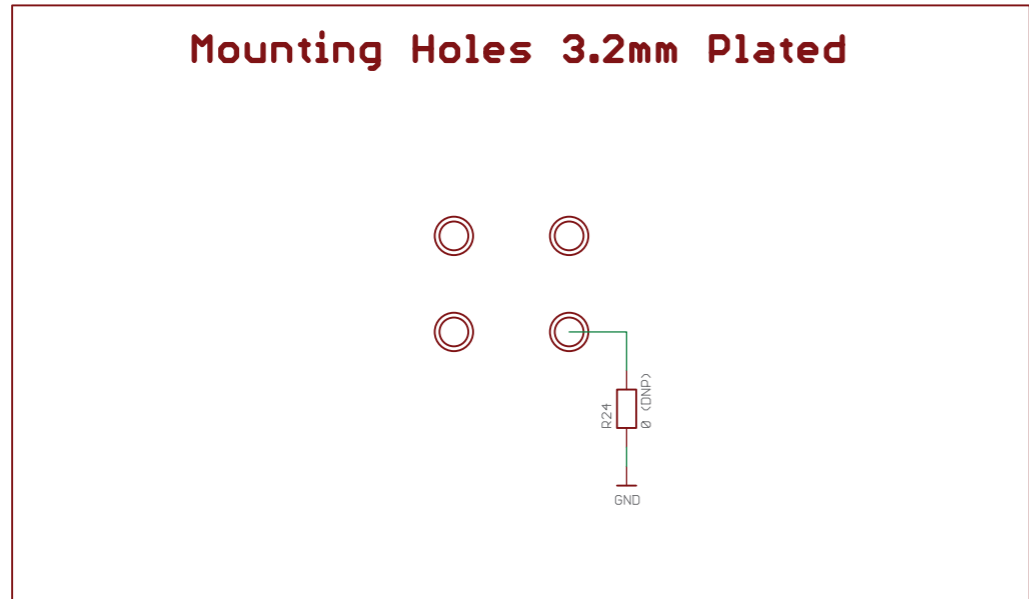
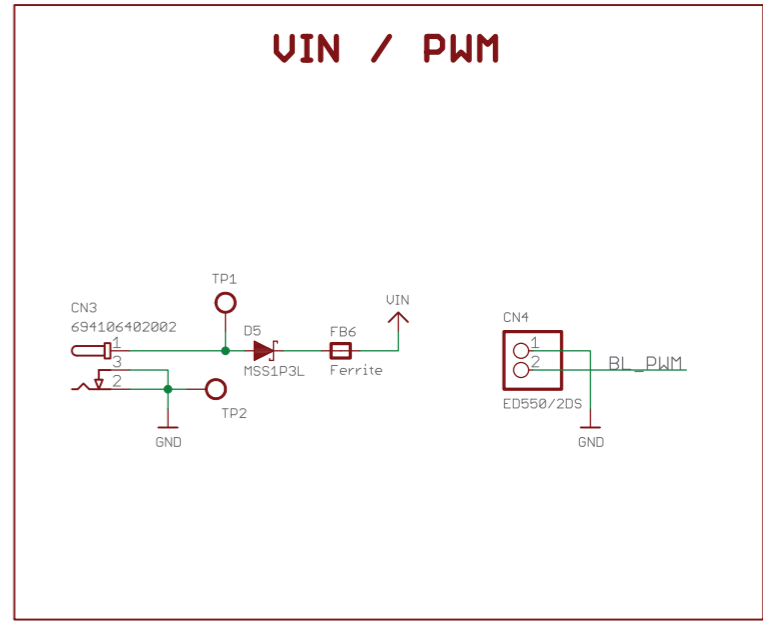
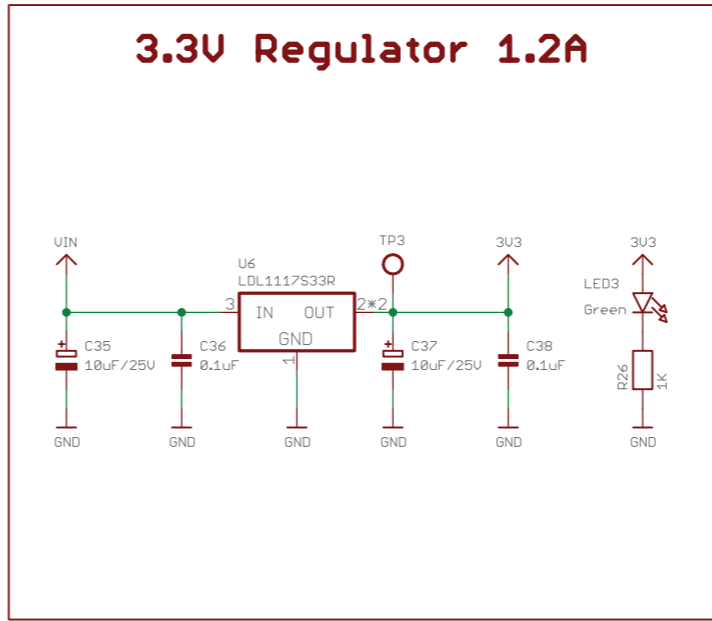
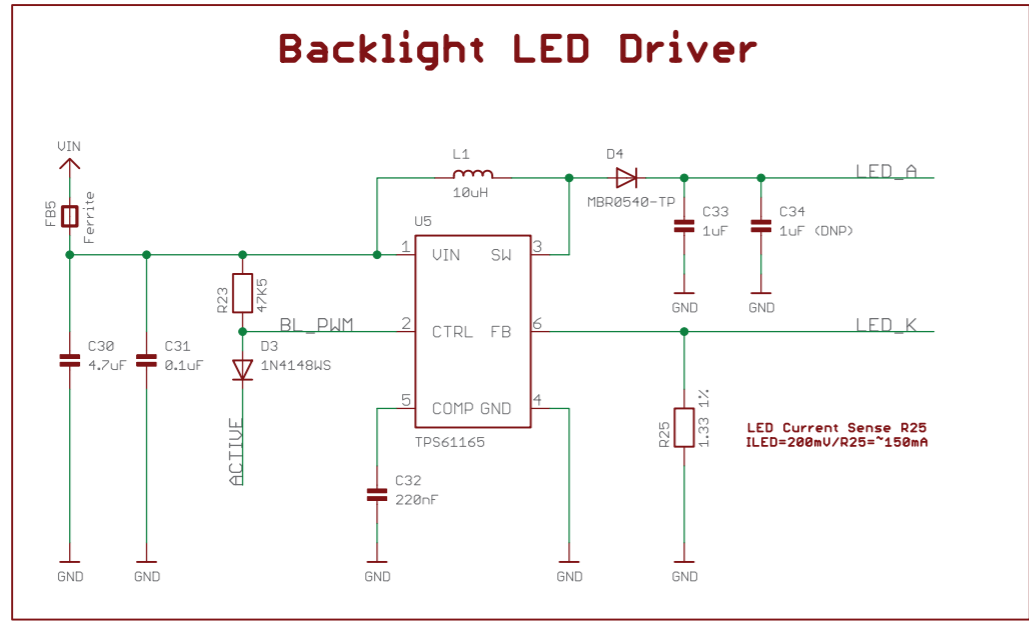
Released under the Creative Commons Attribution Share - Alike 4.0 License <http://creativecommons.org/licenses/by-sa/4.0> **open source hardware**

DS90C385A (LVDS Transmitter)



NEWHAVEN DISPLAY INTERNATIONAL		REVISION: -
SCHEMATIC/PART NUMBER: NHD-7.0-HDMI-HR_SCH		SIZE: A3
DRAWN BY: P. Bartek	CHECKED BY: M. LaVine	SHEET: 2 of 4
DRAWN DATE: 05/31/19	CHECKED DATE: 05/31/19	
Released under the Creative Commons Attribution Share - Alike 4.0 License http://creativecommons.org/licenses/by-sa/4.0		
		open source hardware





BOARD VERSIONS

CTU Version: (DNP) - C21, C23, C34, CN5, CN6, D1, D2, R2, R3, R55, R18, R24, U3

Non-Touch Version: (DNP) - C18, C21, C25, C26, C20, C23, C27, C28, C29, C34, CN2, CN5, CN6, CTP1, D1, D2, LED2, Q2, R2, R3, R17, R55, R7, R8, R9, R21, R22, R10, R16, R19, R20, R24, R18, RN1, U3, U4, Y1

NEWHAVEN DISPLAY
INTERNATIONAL

SCHEMATIC / PART NUMBER:		REVISION:
NHD-7.0-HDMI-HR_SCH		-
DRAWN BY:		SIZE:
P. Bartek	CHECKED BY: M. LaVine	A3
DRAWN DATE:		SHEET:
05/31/19	CHECKED DATE: 05/31/19	4 of 4
<small>Released under the Creative Commons Attribution Share - Alike 4.0 License http://creativecommons.org/licenses/by-sa/4.0 </small>		