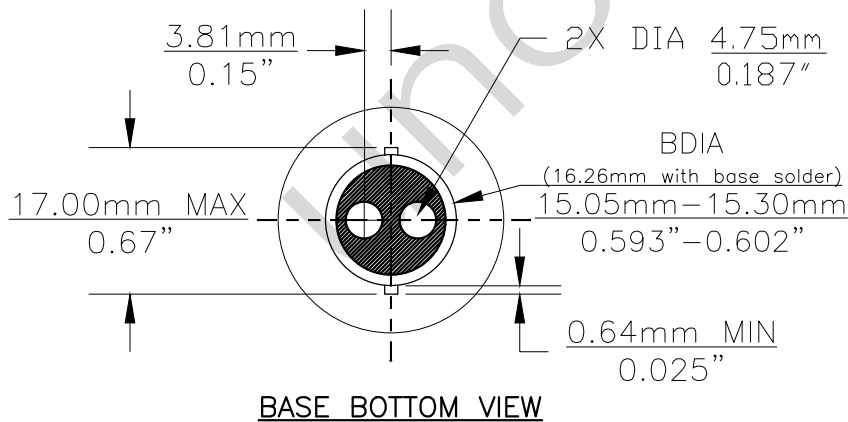
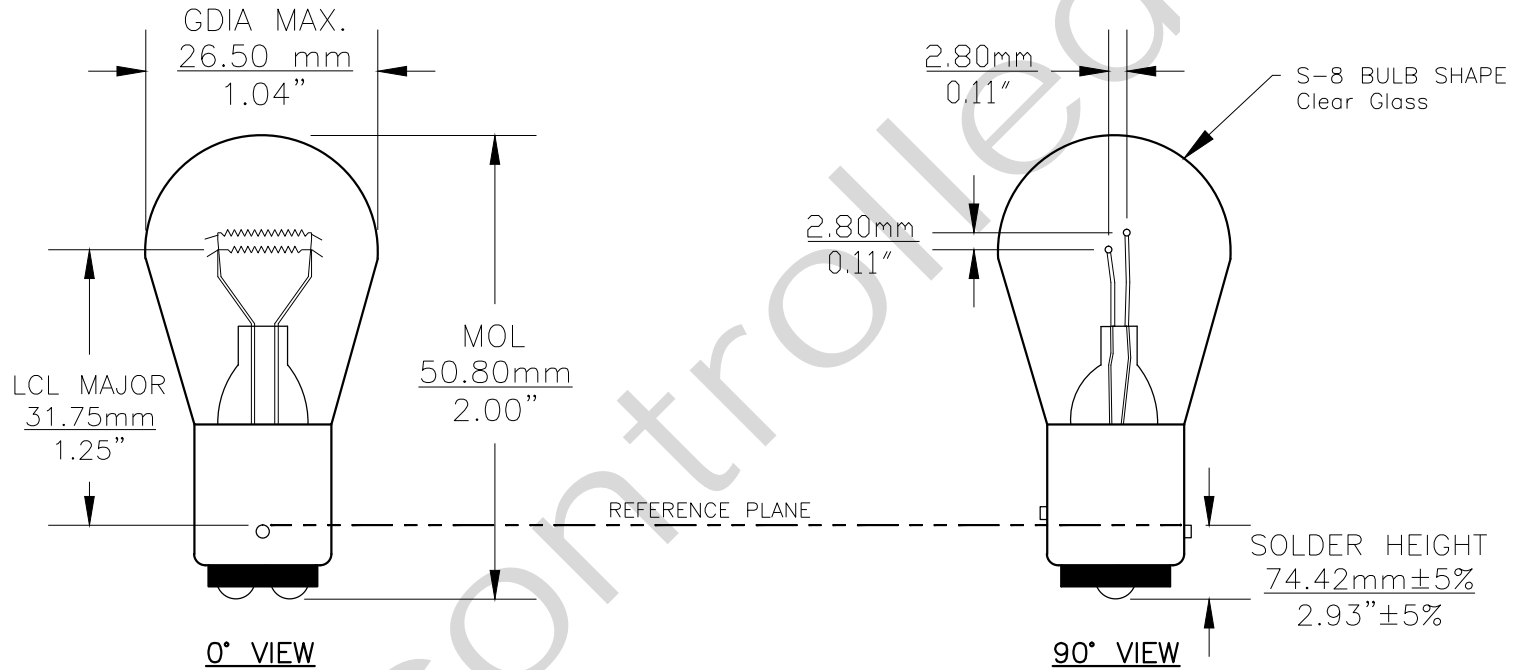




PART NO.	BASE TYPE	DESIGN VOLTS	DESIGN AMPS	MSCD	FILAMENT TYPE	AVERAGE LIFE HOURS	REVISIONS			
							REV #	DESCRIPTION	DATE	APPROVED
CE2	D.C. INDEX BAY15d (Nickel)	48V/48V	0.52±10% 0.20±10%	28±20% 5 ±20%	C-6 C-6	300/1000	1	ISSUED	12/23/2004	D.C.
							2	REDRAWN	04/27/2016	R.M.
							3	REVISED VOLTS/AMPS/MSCD/HRS/BDIA	06/14/2019	R.M.



UNLESS OTHERWISE SPECIFIED: DIMENSIONS ARE IN INCHES TOLERANCES		CEC INDUSTRIES LTD	
DECIMALS	ANGULAR	699 BOND STREET LINCOLNSHIRE, IL 60069	
.XX ± .05	± 0.5°	TITLE LIGHT BULB NO. CE2	
.XXX ± .010		SIZE A	REV 3
FRACTIONAL	± 1/64	FSCM NO.	DWG NO. CE2
DRAWN DENNIS CLARK	DATE 12/23/2004	SCALE	SHEET 1 OF 1
CHECKED		PLOT SCALE	DRAWING NOT TO SCALE
DESIGN		FILE CE2.pdf	
MATERIAL			