

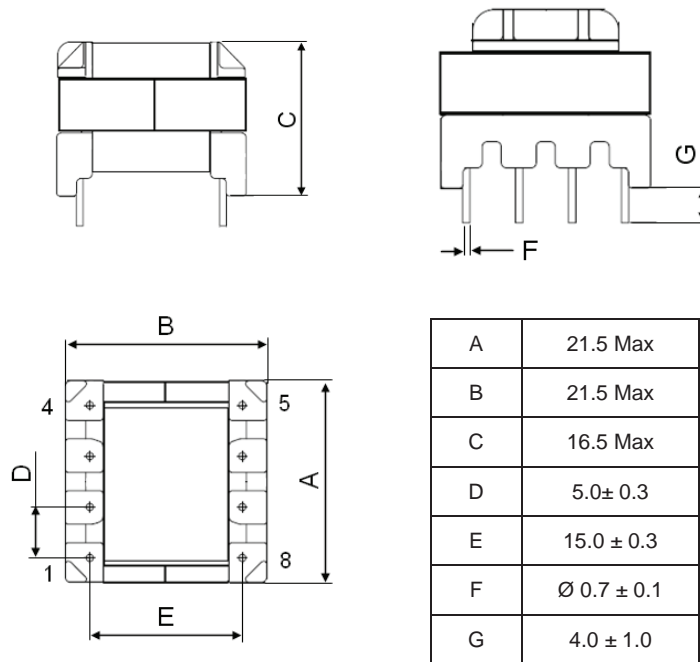


- EF20 Package in SMD
- Operating temperature range: -20°C to +85°C
- Wave Solder Condition:
Maximum reflow temperature is 260°C/-3°C
time is 5~6 sec. (Refer to SONY SS-00254-4 standard).

Electrical Specifications @25°C					
Inductance Lp @ 10KHz,0.1V (1 - 2)	Leakage Inductance Ls @ 100KHz, 0.1V (tie 3+4, 5+6) (1 - 2)	DCR 1 - 2	DCR 3 - 4	DCR 5 - 6	Isolation Voltage @ 1sec PRI to SEC
1.35mH ± 5%	35uH Min	1.2uH Max	500mΩ Max	130mΩ Max	4000Vac

All specifications subject to change without notice.

Dimension
Unit: mm



Marking

AEF20-4033
● YYWW

Schematic

