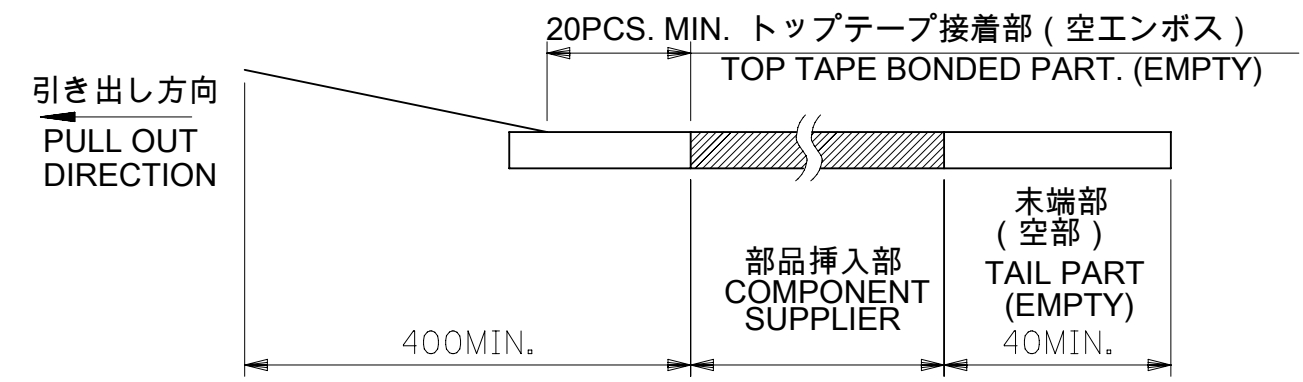
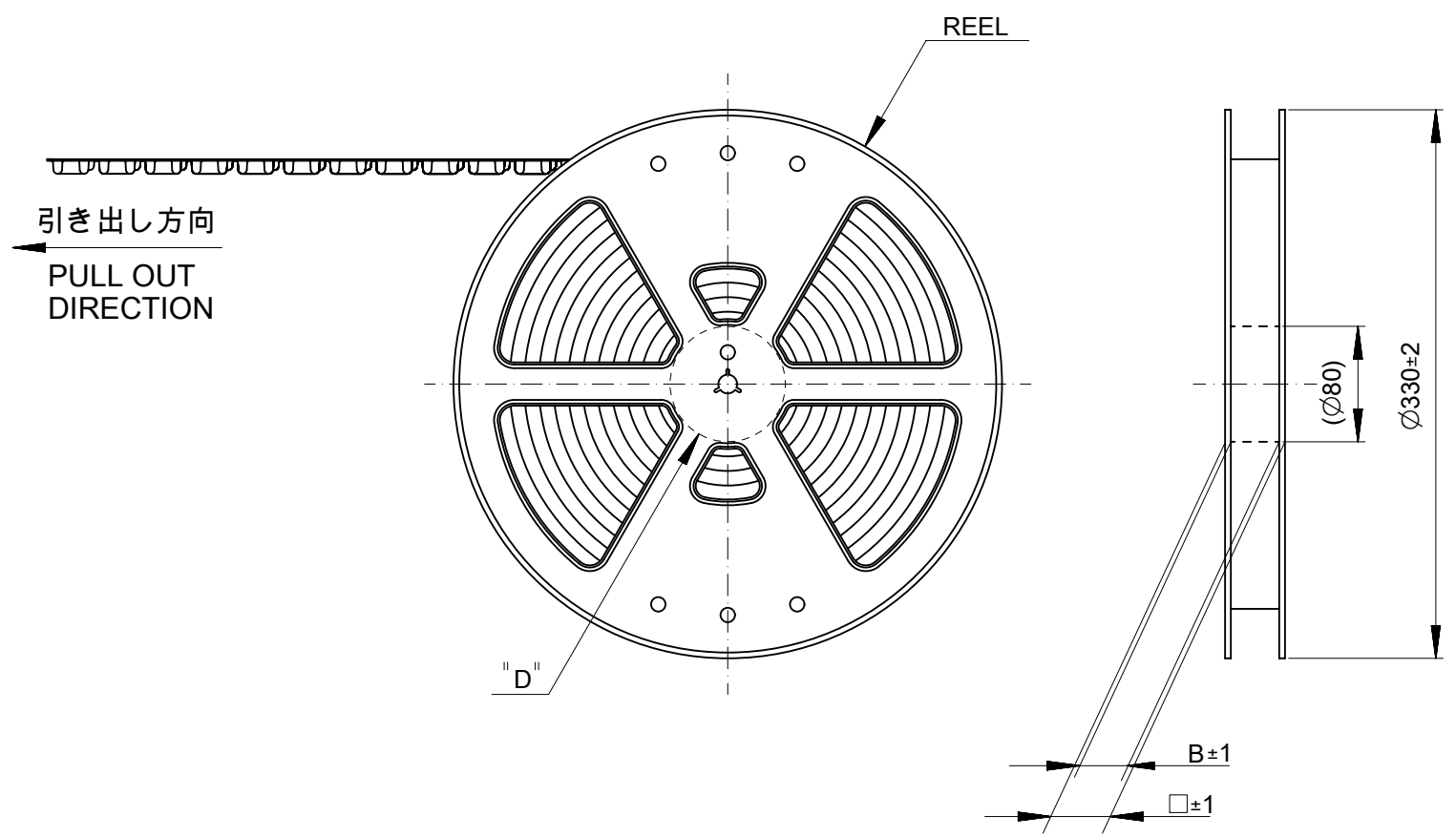
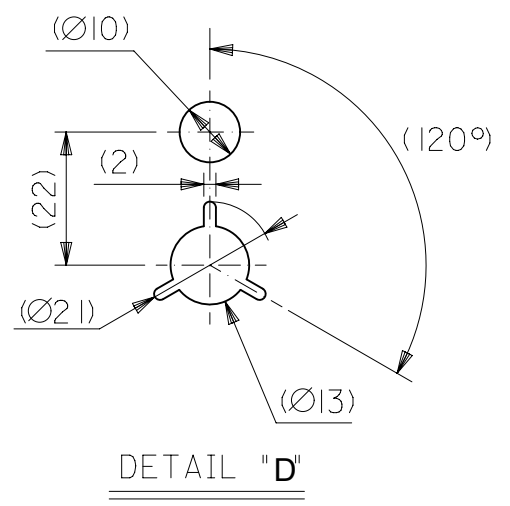


注記 NOTES

1. 製品詳細寸法については製品単体図面を参照下さい。
RE DETAILED DIMENSION, SEE PRODUCT DRAWING.
2. 梱包数量 : 3000個 / リール
NUMBER OF CONNECTORS : 3000PCS/REEL
3. リードテープ長さ LEAD TAPE LENGTH

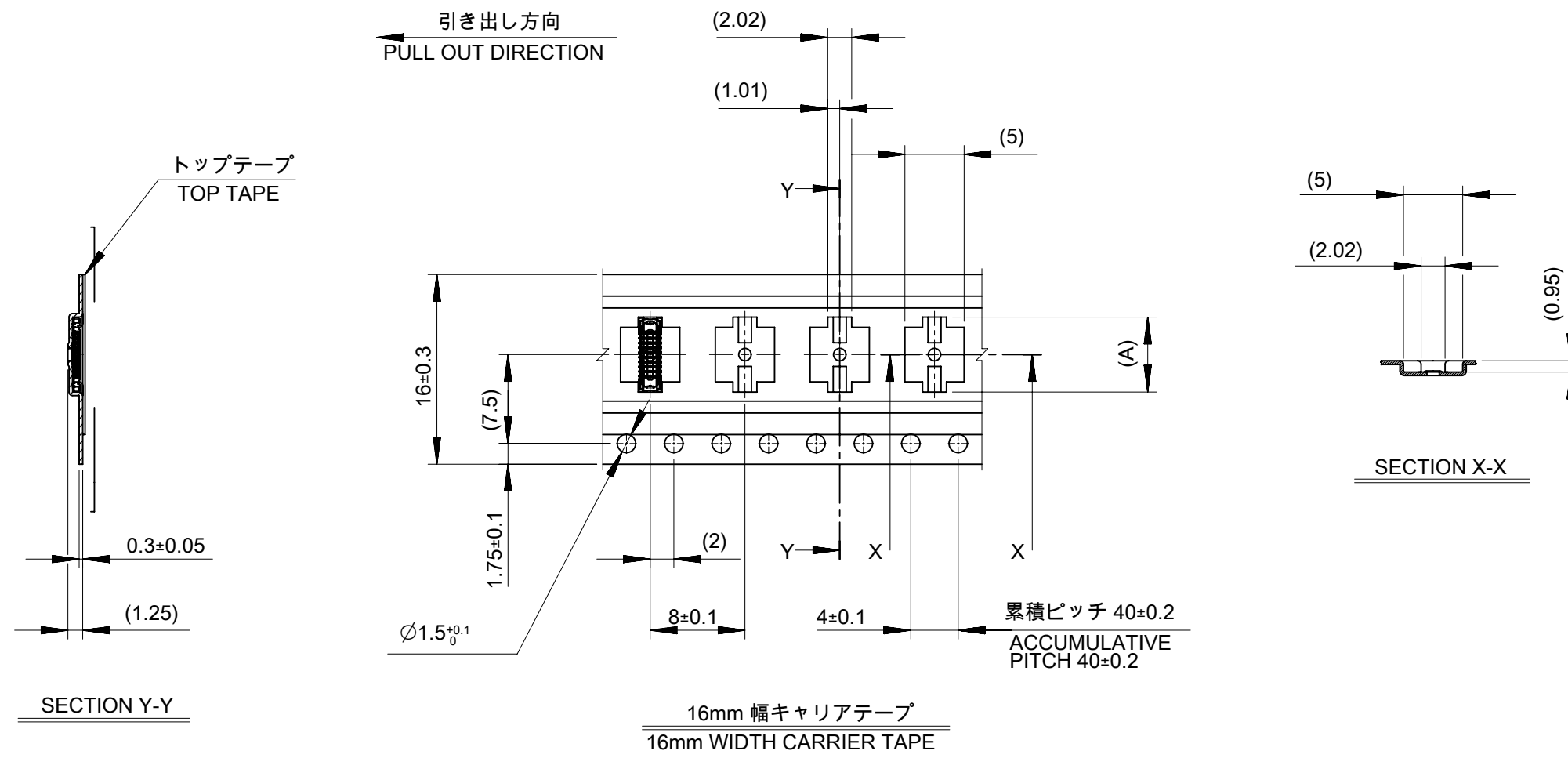


4. トップテープの剥離強度については、IEC60286-3に準拠
TOP TAPE PEEL FORCE IS DEFINED BY IEC60286-3.
5. 材料 MATERIAL
 キャリアテープ (CARRIER TAPE) : ポリスチレン (POLYSTYRENE)
 トップテープ (TOP TAPE) : PET , OTHER
 リール (REEL) : ポリスチレン (PS) <リサイクル材を含む>
 POLYSTYRENE (PS) <RECYCLE MATERIAL CONTAINED>
6. ELV 及び RoHS適合品
ELV AND RoHS COMPLIANT



PRE-RELEASE
REFERENCE
USE ONLY

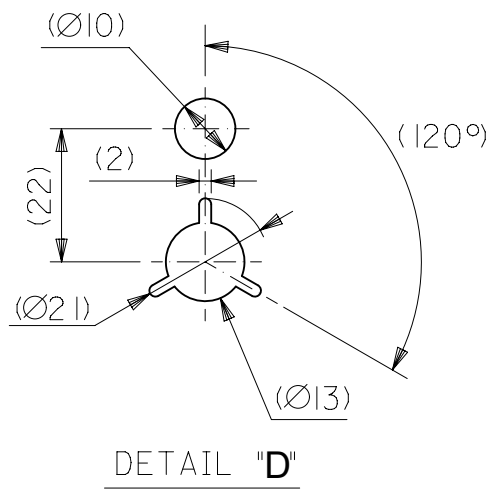
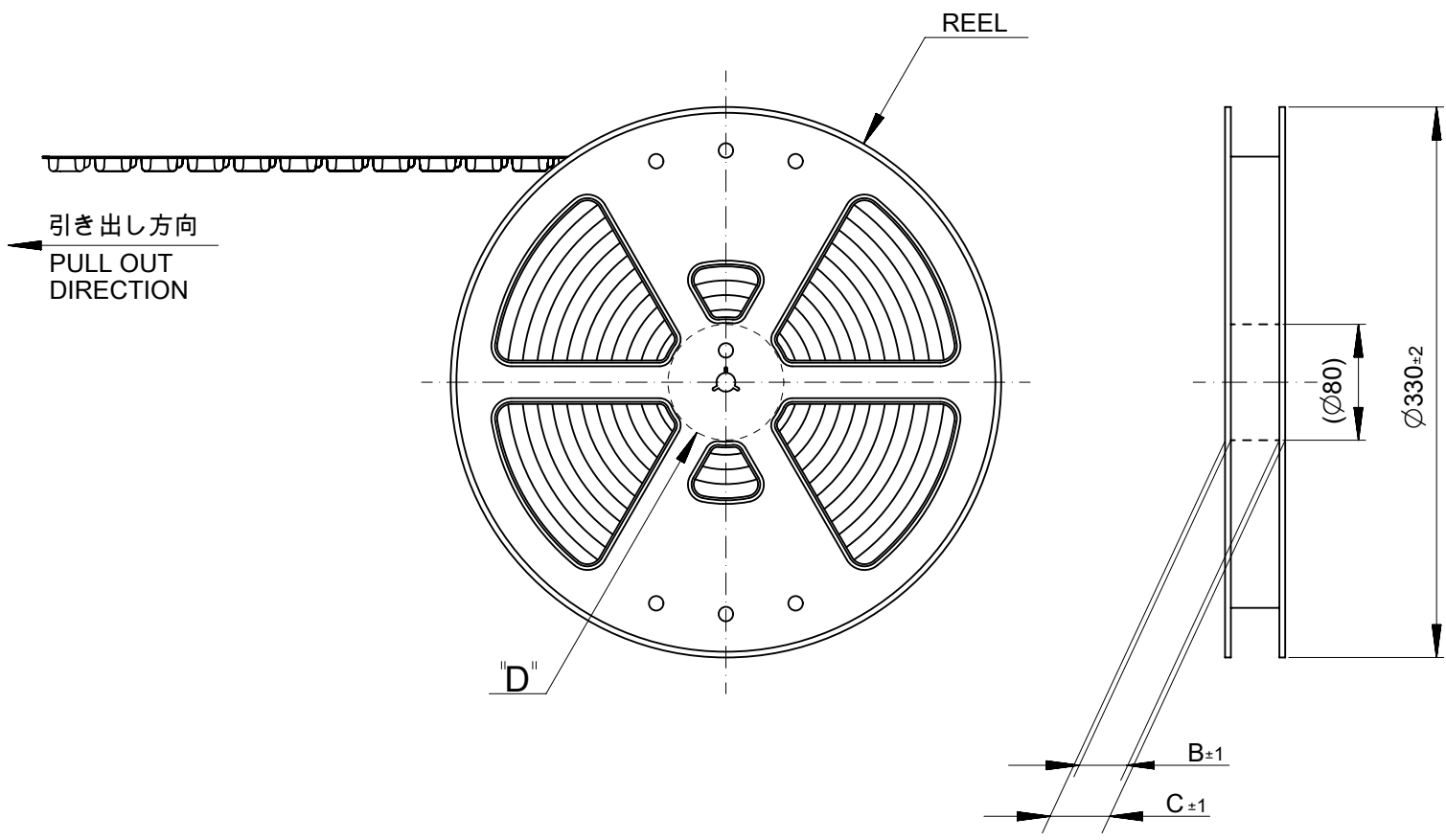
THIS DRAWING CONTAINS INFORMATION THAT IS PROPRIETARY TO MOLEX ELECTRONIC TECHNOLOGIES, LLC AND SHOULD NOT BE USED WITHOUT WRITTEN PERMISSION									
DIMENSION UNITS		SCALE		CURRENT REV DESC: REMOVED OBSOLETE PART NUMBER AS PER PCN#511691.				molex	
mm		NTS							
GENERAL TOLERANCES (UNLESS SPECIFIED)									
		MM		INCH					
4 PLACES		± 0.2		±		EC NO: 737858			
3 PLACES		± 0.25		±		DRWN: SANTHN 2023/02/10			
2 PLACES		± 0.3		±		CHK'D: GGA 2023/02/24			
1 PLACE		± 0.1		±		APPR: GGA 2023/02/24			
0 PLACES		±		±		INITIAL REVISION:			
ANGULAR TOL		± 1.0		±		DRWN: KAMINO 2014/05/13			
						APPR: KMORIKAWA 2014/05/15			
DRAFT WHERE APPLICABLE MUST REMAIN WITHIN DIMENSIONS				THIRD ANGLE PROJECTION		DRAWING		SERIES	
				A3-SIZE		504208		MATERIAL NUMBER	
				SEE TABLE		CUSTOMER		GENERAL MARKET	
DOCUMENT STATUS				P1		RELEASE DATE		2023/02/24 09:13:08	
DOCUMENT NUMBER		DOC TYPE		DOC PART		REVISION			
SD-504208-004		PSD		001		A1		SHEET NUMBER	
1 OF 2									



16	21.4	17.4	7.12	504208-2480	○	---	24
			6.32	504208-2080	---	---	20
			5.52	504208-1680	○	---	16
			5.12	504208-1480	---	---	14
			4.72	504208-1280	○	---	12
			4.32	504208-1080	○	---	10
キャリアテープ幅 CARRIER TAPE WIDTH	C	B	(A)	MATERIAL No.	量産品 MASS PRODUCTION	試作対応 LOW VOL. TOOL	極数 CIRCUIT
				MODEL No.	サンプル供給 SAMPLE PREPARATION	504208-**80	

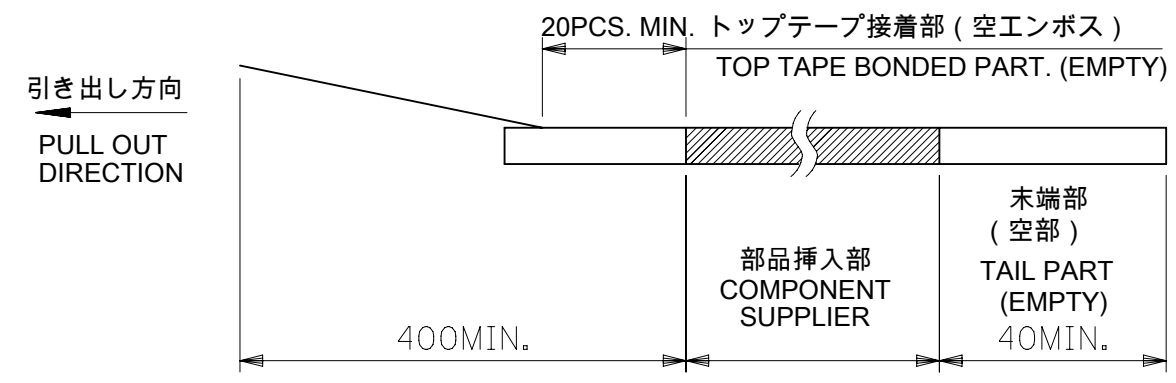
THIS DRAWING CONTAINS INFORMATION THAT IS PROPRIETARY TO MOLEX ELECTRONIC TECHNOLOGIES, LLC AND SHOULD NOT BE USED WITHOUT WRITTEN PERMISSION

DIMENSION UNITS	SCALE	CURRENT REV DESC: REMOVED OBSOLETE PART NUMBER AS PER PCN#511691.	
mm	NTS		
GENERAL TOLERANCES (UNLESS SPECIFIED)			
	MM	INCH	
4 PLACES	± 0.2	±	
3 PLACES	± 0.25	±	
2 PLACES	± 0.3	±	
1 PLACE	± 0.1	±	
0 PLACES	±	±	
ANGULAR TOL	± 1.0		
DRAFT WHERE APPLICABLE MUST REMAIN WITHIN DIMENSIONS		THIRD ANGLE PROJECTION	
EC NO: 737858	DRWN: SANTHN	2023/02/10	
CHK'D: GGA	APPR: GGA	2023/02/24	
INITIAL REVISION:		DOCUMENT NUMBER	DOC TYPE DOC PART REVISION
DRWN: KAMINO	APPR: KMORIKAWA	SD-504208-004	PSD 001 A1
2014/05/13	2014/05/15	MATERIAL NUMBER	CUSTOMER
		SEE TABLE	GENERAL MARKET
DRAWING	SERIES	SHEET NUMBER	
A3-SIZE	504208	2 OF 2	



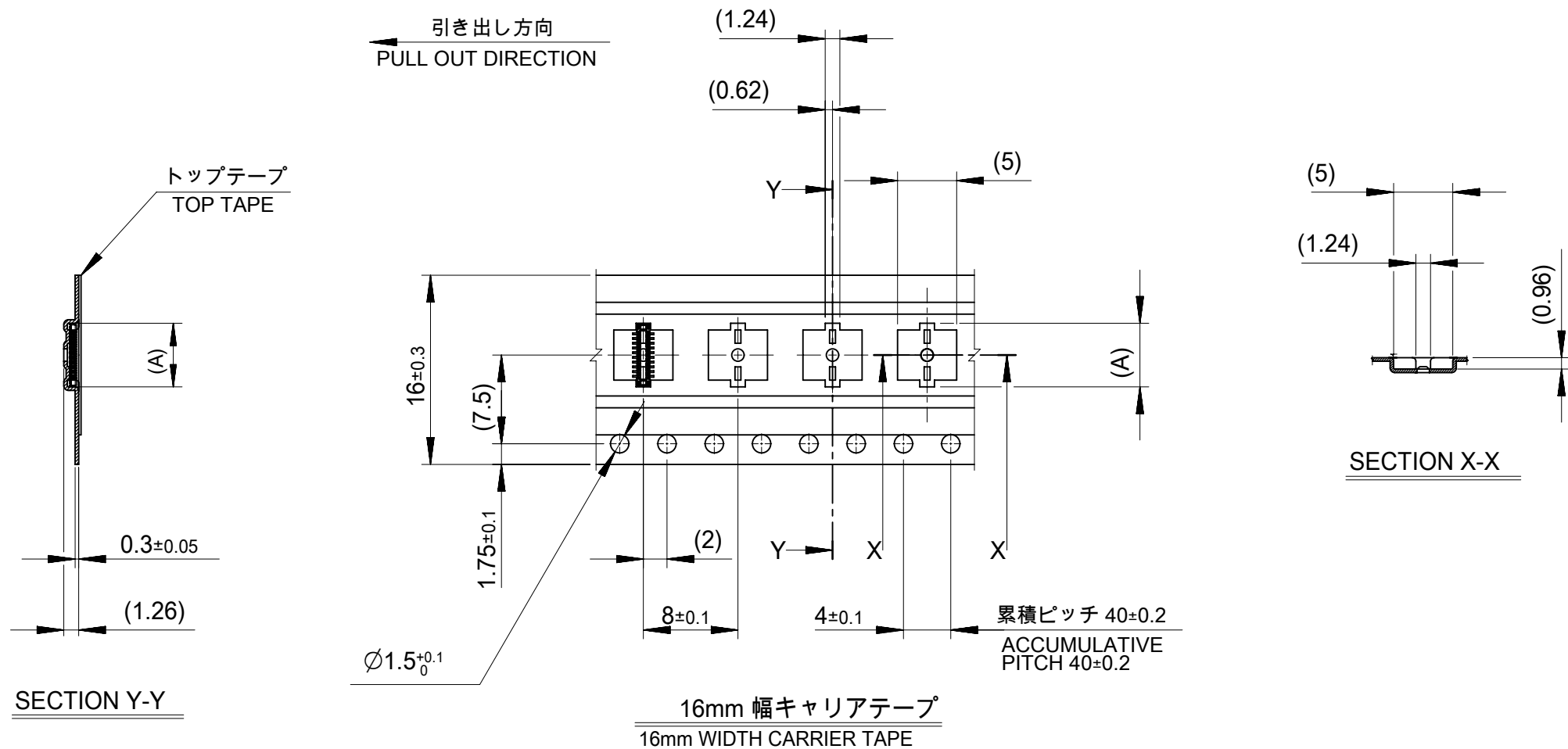
注記 NOTES

1. 製品詳細寸法については製品単体図面を参照下さい。
RE DETAILED DIMENSION, SEE PRODUCT DRAWING.
2. 梱包数量 : 3000 個 / リール
NUMBER OF CONNECTORS : 3000PCS/REEL
3. リードテープ長さ LEAD TAPE LENGTH



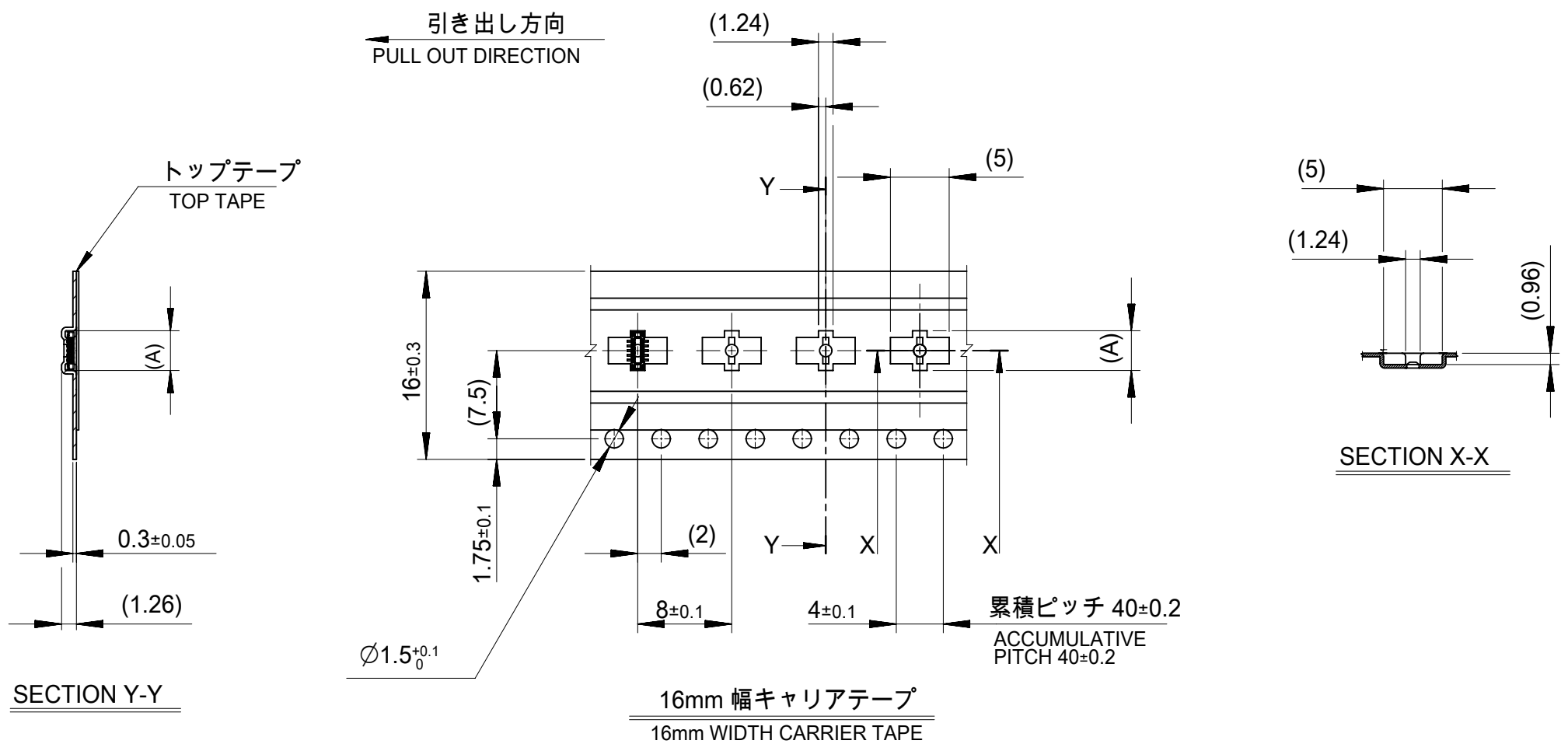
4. トップテープの剥離強度については、IEC60286-3に準拠
TOP TAPE PEEL FORCE IS DEFINED BY IEC60286-3.
5. 材料 MATERIAL
キャリアテープ (CARRIER TAPE) : ポリスチレン (POLYSTYRENE)
トップテープ (TOP TAPE) : PET , OTHER
リール (REEL) : ポリスチレン (PS) <リサイクル材を含む>
POLYSTYRENE (PS) <RECYCLE MATERIAL CONTAINED>
6. ELV 及び RoHS適合品
ELV AND RoHS COMPLIANT

THIS DRAWING CONTAINS INFORMATION THAT IS PROPRIETARY TO MOLEX ELECTRONIC TECHNOLOGIES, LLC AND SHOULD NOT BE USED WITHOUT WRITTEN PERMISSION																																										
DIMENSION UNITS mm		SCALE 1:1		CURRENT REV DESC: REMOVED OBSOLETE PART NUMBERS AS PER PCN#511691																																						
GENERAL TOLERANCES (UNLESS SPECIFIED)				<table border="1"> <tr> <td colspan="3">molex</td> </tr> <tr> <td colspan="3">0.4 BB CONN. H=0.8 PLUG ASSY. FOR CHECKER EMBSTP. PKG</td> </tr> <tr> <td colspan="3">PRODUCT CUSTOMER DRAWING</td> </tr> <tr> <td>DOCUMENT NUMBER</td> <td>DOC TYPE</td> <td>DOC PART</td> <td>REVISION</td> </tr> <tr> <td>SD-504248-004</td> <td>PSD</td> <td>001</td> <td>C1</td> </tr> <tr> <td>DRAFT WHERE APPLICABLE MUST REMAIN WITHIN DIMENSIONS</td> <td>THIRD ANGLE PROJECTION</td> <td>DRAWING</td> <td>SERIES</td> <td>MATERIAL NUMBER</td> <td>CUSTOMER</td> <td colspan="2">SHEET NUMBER</td> </tr> <tr> <td></td> <td></td> <td>A3-SIZE</td> <td>504248</td> <td>SEE SHEET 2 & 3</td> <td>GENERAL MARKET</td> <td colspan="2">1 OF 3</td> </tr> </table>						molex			0.4 BB CONN. H=0.8 PLUG ASSY. FOR CHECKER EMBSTP. PKG			PRODUCT CUSTOMER DRAWING			DOCUMENT NUMBER	DOC TYPE	DOC PART	REVISION	SD-504248-004	PSD	001	C1	DRAFT WHERE APPLICABLE MUST REMAIN WITHIN DIMENSIONS	THIRD ANGLE PROJECTION	DRAWING	SERIES	MATERIAL NUMBER	CUSTOMER	SHEET NUMBER				A3-SIZE	504248	SEE SHEET 2 & 3	GENERAL MARKET	1 OF 3	
molex																																										
0.4 BB CONN. H=0.8 PLUG ASSY. FOR CHECKER EMBSTP. PKG																																										
PRODUCT CUSTOMER DRAWING																																										
DOCUMENT NUMBER	DOC TYPE	DOC PART	REVISION																																							
SD-504248-004	PSD	001	C1																																							
DRAFT WHERE APPLICABLE MUST REMAIN WITHIN DIMENSIONS	THIRD ANGLE PROJECTION	DRAWING	SERIES	MATERIAL NUMBER	CUSTOMER	SHEET NUMBER																																				
		A3-SIZE	504248	SEE SHEET 2 & 3	GENERAL MARKET	1 OF 3																																				
ANGULAR TOL	±	1.0°	EC NO: 737858																																							
4 PLACES	±	0.2	DRWN: LIKITV 2023/02/13																																							
3 PLACES	±	0.25	CHK'D: GGA 2023/02/24																																							
2 PLACES	±	0.3	APPR: GGA 2023/02/24																																							
1 PLACE	±	0.1	INITIAL REVISION:																																							
0 PLACES	±		DRWN: KAMINO 2014/05/13																																							
				APPR: KMORIKAWA 2014/05/15																																						



16	21.4	17.4	6.18	504248-2480	○	---	24
キャリアテープ幅 CARRIER TAPE WIDTH	C	B	(A)	MATERIAL No.	量産品 MASS PRODUCTION	試作対応 LOW VOL. TOOL	極数 CIRCUIT
				MODEL No.	サンプル供給 SAMPLE PREPARATION		504248-**80

THIS DRAWING CONTAINS INFORMATION THAT IS PROPRIETARY TO MOLEX ELECTRONIC TECHNOLOGIES, LLC AND SHOULD NOT BE USED WITHOUT WRITTEN PERMISSION							
DIMENSION UNITS mm	SCALE NTS	CURRENT REV DESC: REMOVED OBSOLETE PART NUMBERS AS PER PCN#511691					
GENERAL TOLERANCES (UNLESS SPECIFIED)		molex 0.4 BB CONN. H=0.8 PLUG ASSY. FOR CHECKER EMBSTP. PKG PRODUCT CUSTOMER DRAWING					
ANGULAR TOL	± 1.0°						
4 PLACES	± 0.2						
3 PLACES	± 0.25						
2 PLACES	± 0.3						
1 PLACE	± 0.1						
0 PLACES	±	EC NO: 737858	DRWN: LIKITV	2023/02/13	DOCUMENT NUMBER		
DRAFT WHERE APPLICABLE MUST REMAIN WITHIN DIMENSIONS		CHK'D: GGA	APPR: GGA	2023/02/24	SD-504248-004		DOC TYPE
THIRD ANGLE PROJECTION		INITIAL REVISION:	DRWN: KAMINO	2014/05/13	PSD	DOC PART	REVISION
DRAWING		APPR: KMORIKAWA	2014/05/15	C1		SHEET NUMBER	
A3-SIZE		SERIES	MATERIAL NUMBER	CUSTOMER	2 OF 3		
504248		SEE CHART	GENERAL MARKET				



16	21.4	17.4	3.38	504248-1080	○	---	10
キャリアテープ幅 CARRIER TAPE WIDTH	C	B	(A)	MATERIAL No.	量産品 MASS PRODUCTION	試作対応 LOW VOL. TOOL	極数 CIRCUIT
				MODEL No.	サンプル供給 SAMPLE PREPARATION		504248-**80

THIS DRAWING CONTAINS INFORMATION THAT IS PROPRIETARY TO MOLEX ELECTRONIC TECHNOLOGIES, LLC AND SHOULD NOT BE USED WITHOUT WRITTEN PERMISSION

DIMENSION UNITS mm	SCALE NTS	CURRENT REV DESC: REMOVED OBSOLETE PART NUMBERS AS PER PCN#511691	molex			
GENERAL TOLERANCES (UNLESS SPECIFIED)		EC NO: 737858			0.4 BB CONN. H=0.8 PLUG ASSY. FOR CHECKER EMBSTP. PKG	
ANGULAR TOL ± 1.0°	4 PLACES ± 0.2	DRWN: LIKITV 2023/02/13	PRODUCT CUSTOMER DRAWING			
3 PLACES ± 0.25	2 PLACES ± 0.3	CHK'D: GGA 2023/02/24	DOCUMENT NUMBER			
1 PLACE ± 0.1	0 PLACES ±	APPR: GGA 2023/02/24	SD-504248-004			
DRAFT WHERE APPLICABLE MUST REMAIN WITHIN DIMENSIONS		INITIAL REVISION: DRWN: KAMINO 2014/05/13 APPR: KMORIKAWA 2014/05/15	DOC TYPE PSD	DOC PART 001	REVISION C1	
THIRD ANGLE PROJECTION		DRAWING A3-SIZE	SERIES 504248	MATERIAL NUMBER SEE CHART	CUSTOMER GENERAL MARKET	SHEET NUMBER 3 OF 3