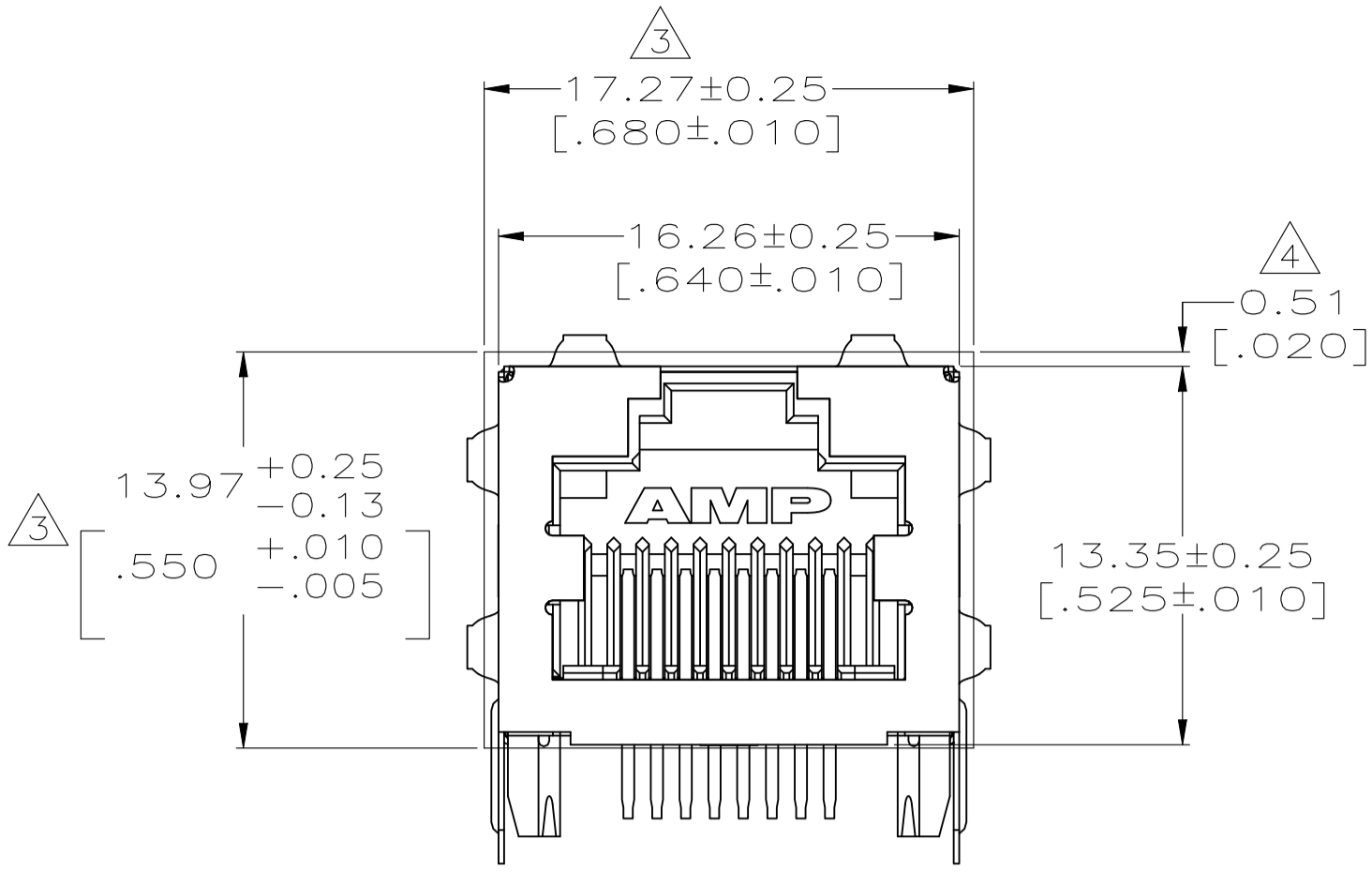
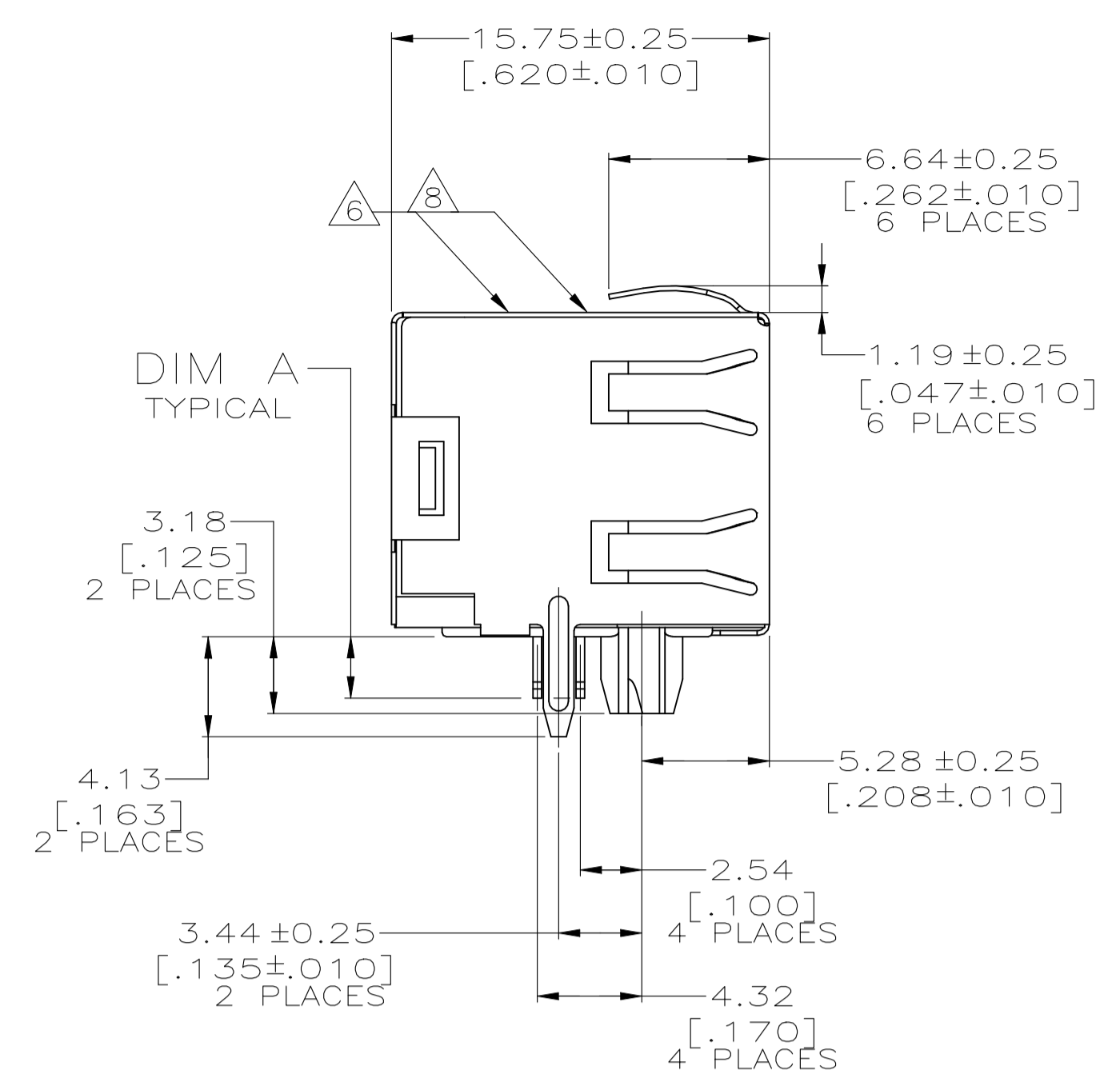


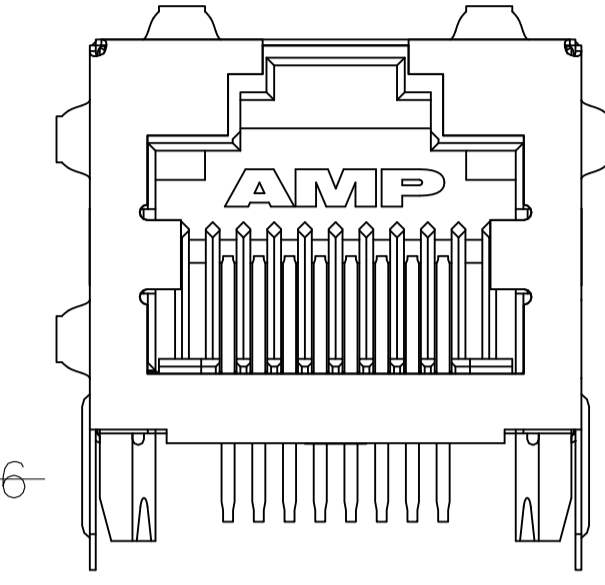
REVISIONS				
REV	DESCRIPTION	DATE	BY	APPD
V	REVISED PER ECN-22-163216	07JULY2022	PT	SZ



- △ OBSOLETE PARTS: OBSOLETE CIS STREAMLINING PER D.RENAUD/D.SINISI
- △ ADD PN ON TOP SURFACE FOR REQUIRED PARTS
- △ REFLOW SOLDERING PROCESS COMPATIBLE.

△ MATERIAL:
 HOUSING - HIGH TEMPERATURE THERMOPLASTIC, COLOR: BLACK, UL94V-0
 TERMINALS - 0.36[.014] THICK PHOS BRONZE PLATED WITH 3.81µm[.000150] MINIMUM THICK (SEE P/N TABLE) IN SOLDER AREA. 1.27µm[.000050] MINIMUM GOLD IN LOCALIZED PLATE AREA. ENTIRE TERMINAL PLATED WITH 1.27µm[.000050] MINIMUM THICK NICKEL.
 SHIELD - 0.196[.0077] THICK COPPER ZINC ALLOY PREPLATED WITH 1.27µm[.000050] MINIMUM SATIN NICKEL WITH 2.03µm[.000080] MINIMUM TIN POST DIPPED ON PCB GROUND TABS.

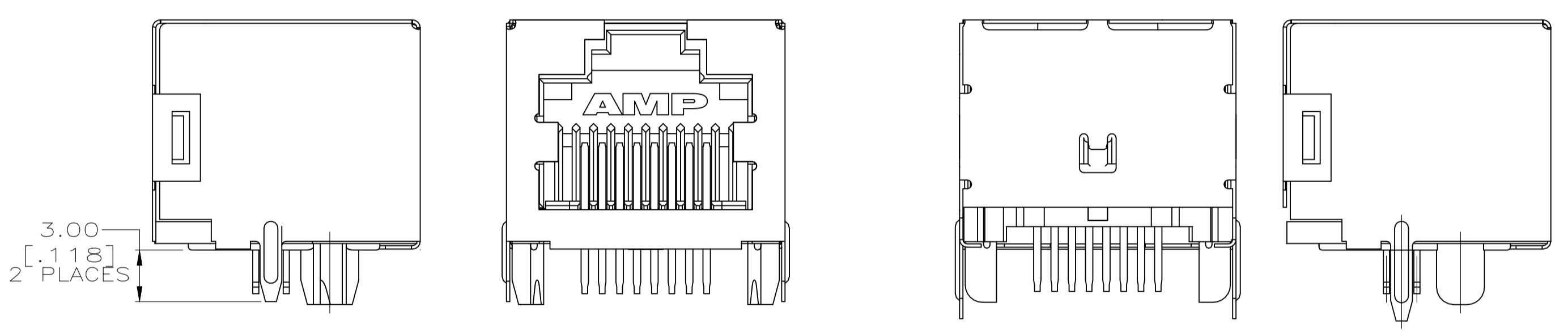
406541-1, -3, -6 & -7
 1-406541-1, 1-3, 1-6 & 1-9 & 2-6



406541-4
 1-406541-4

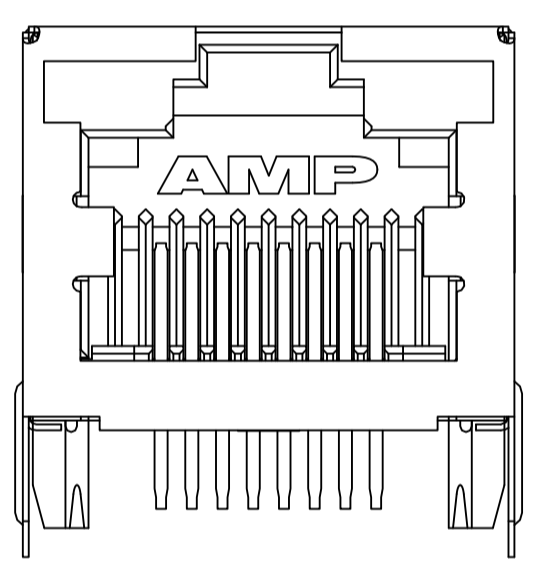
WITHOUT LOWER RIGHT PANEL GROUND

- 2. JACK CAVITY CONFORMS TO FCC RULES AND REGULATIONS PART 68, SUBPART F.
- △ SUGGESTED PANEL OPENING DIMENSIONS.
- △ SUGGESTED CLEARANCE BETWEEN TOP OF CONNECTOR AND TOP PANEL OPENING.
- △ ON 406541-4 & 1-406541-4 LOWER RIGHT HAND PANEL GROUND TAB IS NOT PRESENT.
- △ MANUFACTURING DATE CODE:
 LOCATED APPROX. AS SHOWN.
 FIRST 2 DIGITS = LAST 2 DIGITS OF YEAR.
 NEXT 2 DIGITS = MANUFACTURING WORK WEEK,
 LAST DIGIT = DAY OF WEEK WITH SUNDAY = 1.



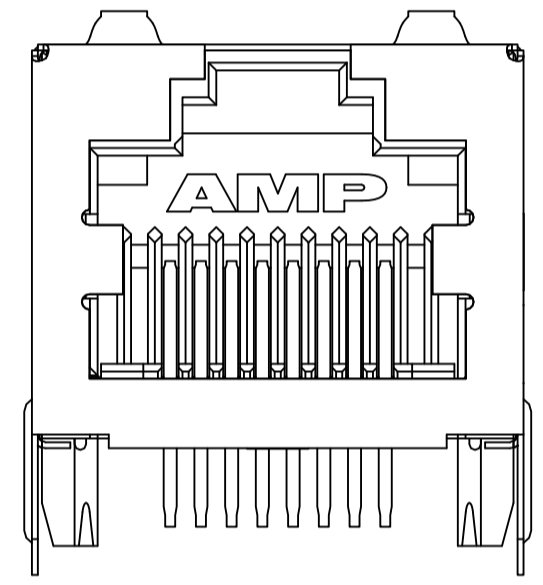
4-406541-5
 3.00MM LENGTH GROUND PIN

3-406541-0
 NARROW POST TYPE



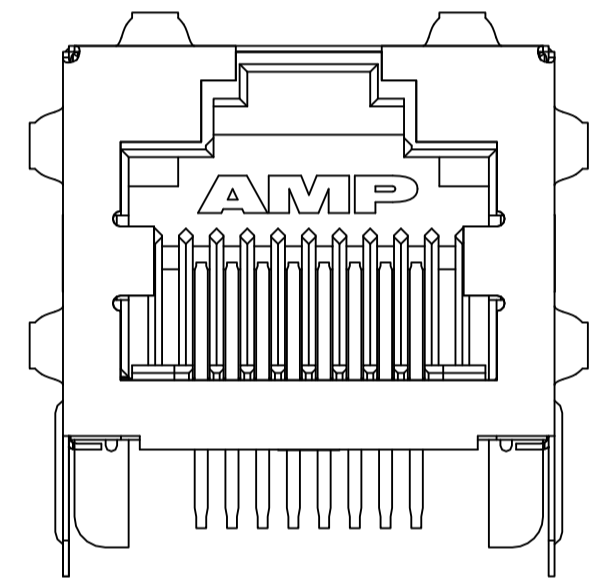
406541-5
 1-406541-5
 1-406541-8
 4-406541-8

WITHOUT PANEL GROUNDS



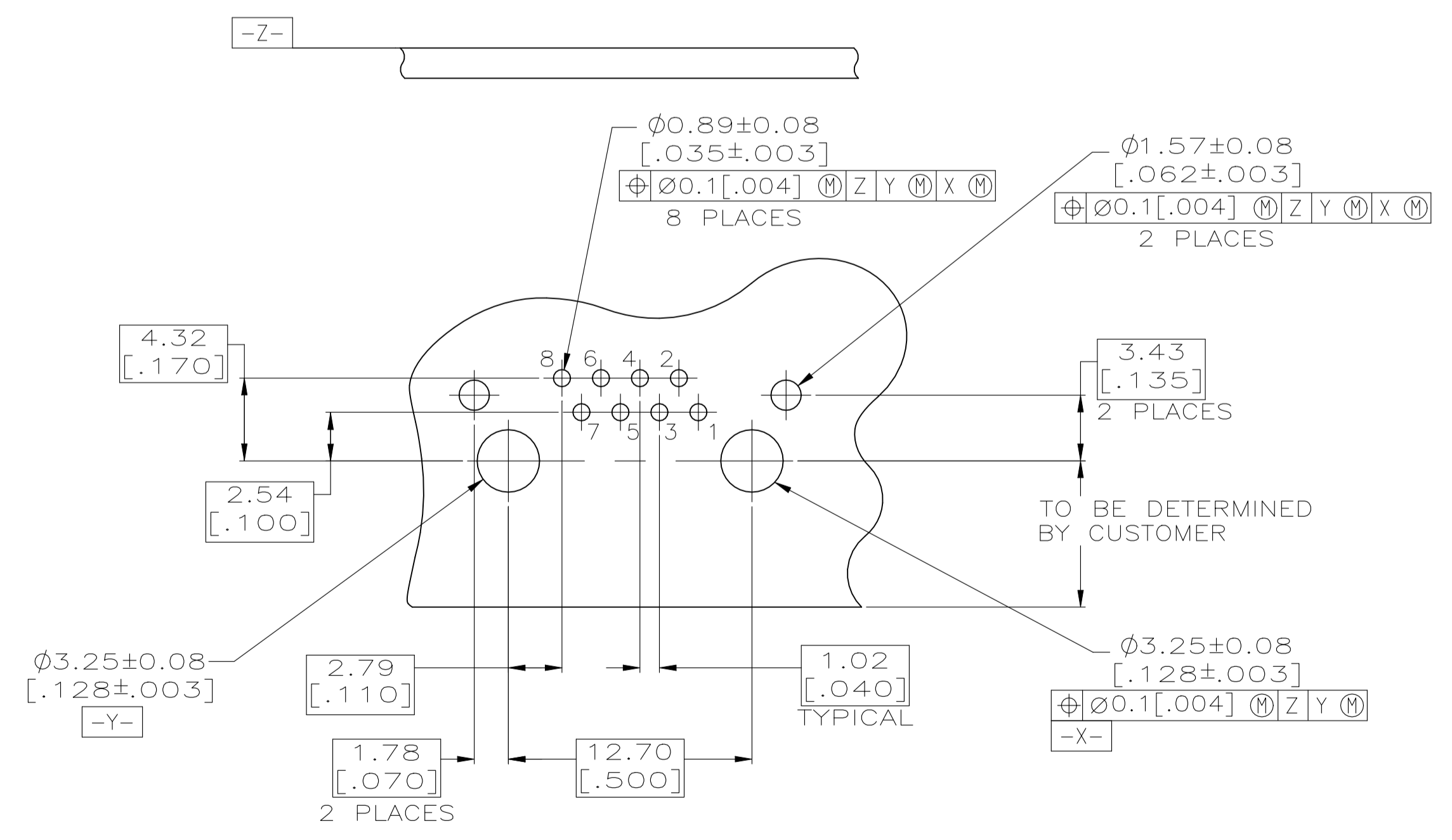
2-406541-1
 2-406541-4

WITHOUT SIDE PANEL GROUND

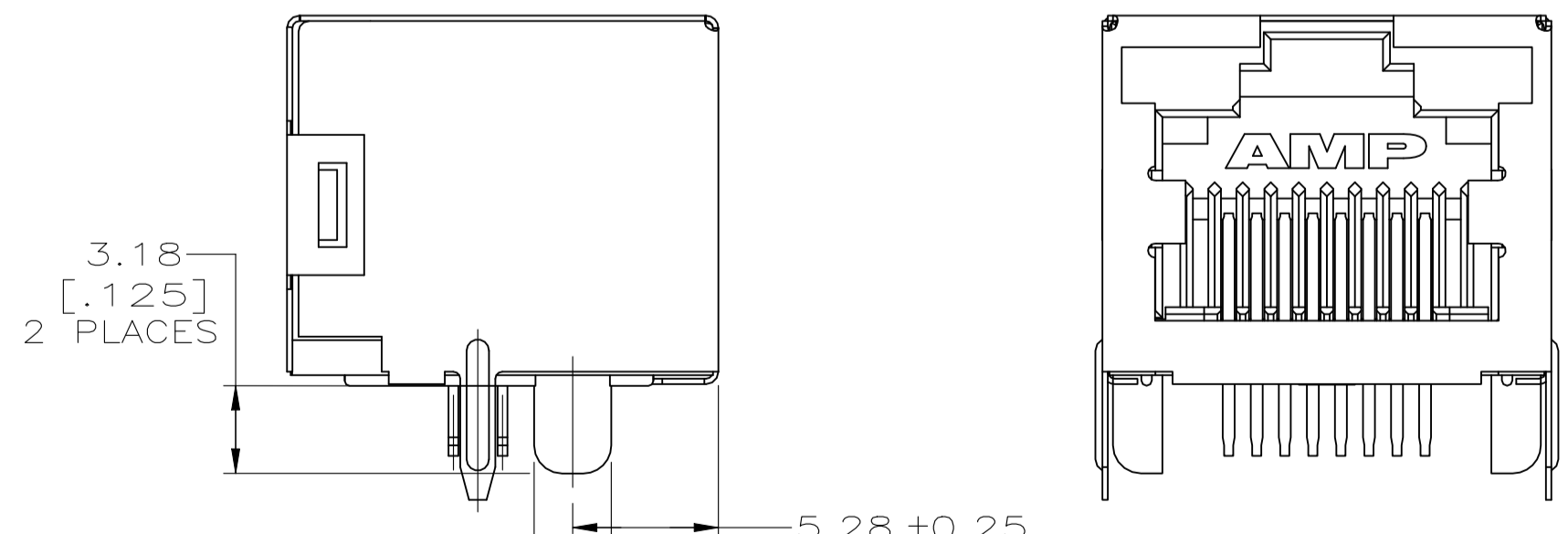


2-406541-3

NARROW POST TYPE



SUGGESTED PRINTED CIRCUIT BOARD LAYOUT
 (COMPONENT SIDE)



△ 2-406541-0, 2-2, 3-1
 NARROW POST TYPE

OBSOLETE
 OBSOLETE

OBSOLETE

OBSOLETE
 OBSOLETE

OBSOLETE-4
 OBSOLETE-3
 OBSOLETE-1

TERMINAL PLATING	PACKAGING	PANEL GROUNDS	DIM A	PART NUMBER
	0	0	2.54 [.100]	5-406541-0
	0	0	2.54 [.100]	4-406541-9
	0	0	2.54 [.100]	4-406541-5
	0	0	2.54 [.100]	3-406541-1
	0	0	2.54 [.100]	4-406541-8
	0	0	2.54 [.100]	3-406541-0
	6	0	2.54 [.100]	2-406541-7
	6	0	3.56 [.140]	2-406541-6
	2	0	2.54 [.100]	2-406541-4
	6	0	3.05 [.120]	2-406541-3
	0	0	2.54 [.100]	2-406541-2
	2	0	2.54 [.100]	2-406541-1
	0	0	2.54 [.100]	2-406541-0
	6	0	3.05 [.120]	1-406541-9
	0	0	2.54 [.100]	1-406541-8
	6	0	2.54 [.100]	1-406541-7
	6	0	3.56 [.140]	1-406541-6
	0	0	2.54 [.100]	1-406541-5
	5	0	2.54 [.100]	1-406541-4
	6	0	2.00 [-0.79]	1-406541-3
	6	0	2.54 [.100]	1-406541-1
	6	0	3.56 [.140]	406541-6
	0	0	2.54 [.100]	406541-5
	5	0	2.54 [.100]	406541-4
	6	0	2.00 [-0.79]	406541-3
	6	0	2.54 [.100]	406541-1

THIS DRAWING IS A CONTROLLED DOCUMENT.

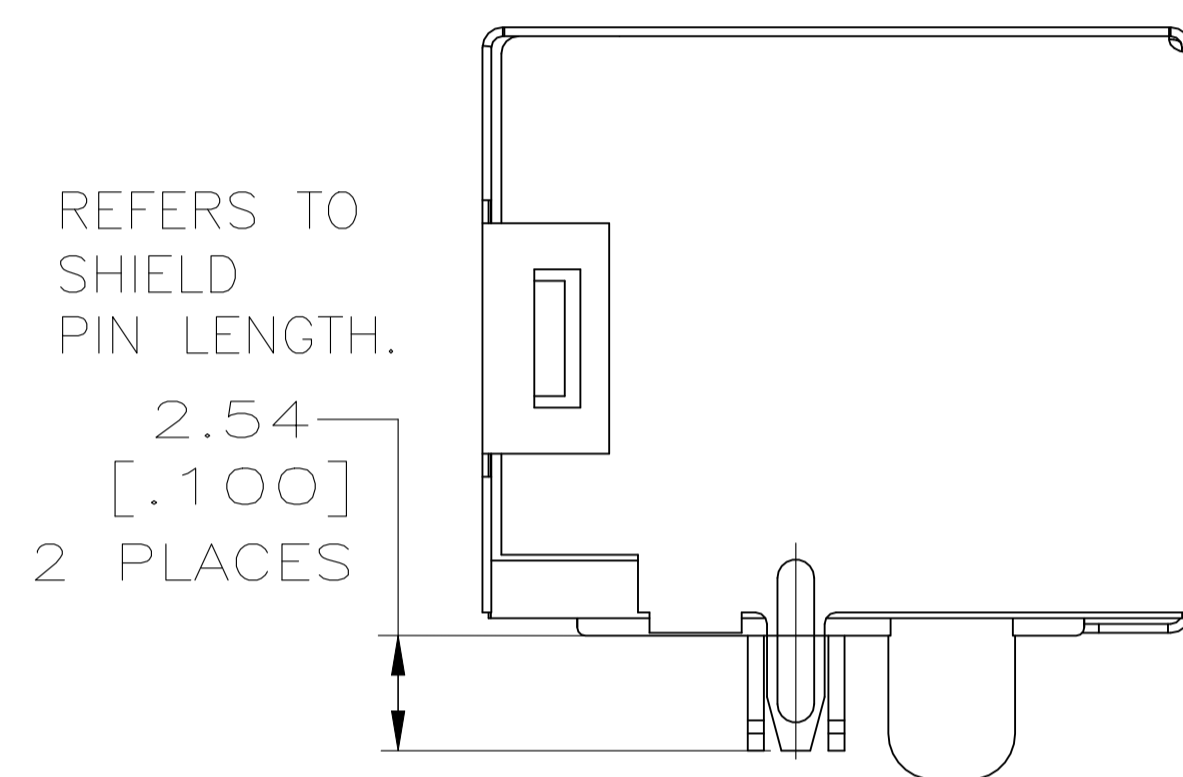
DIMENSIONS: mm [INCHES]	TOLERANCES UNLESS OTHERWISE SPECIFIED:	0 PLC ±	1 PLC ±	2 PLC ±	3 PLC ± 0.25[.010]	4 PLC ±	ANGLES ±
-------------------------	--	---------	---------	---------	--------------------	---------	----------

MATERIAL: SEE TABLE FINISH: SEE TABLE WEIGHT: 0.000000 A1 00779 C=406541 CUSTOMER DRAWING SCALE: 4:1 SHEET 1 OF 2 REV V

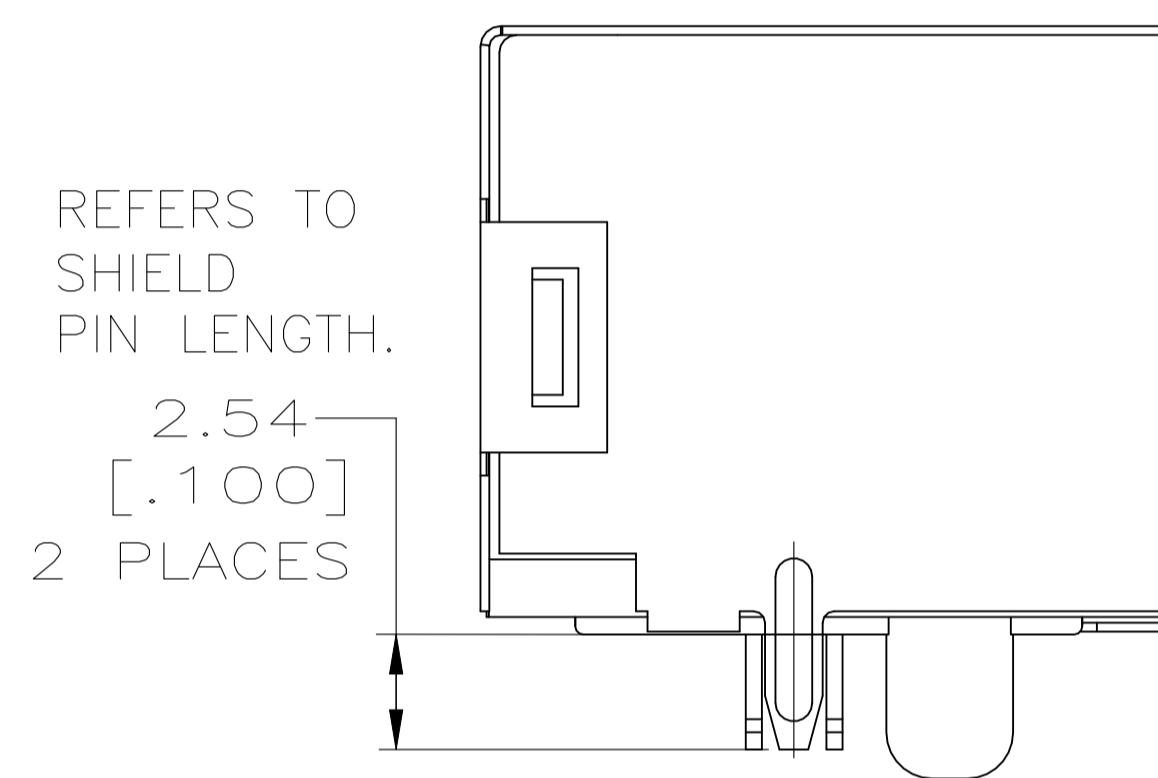
DATE: 09JAN2008 BY: TS/LA.MAYER CHK: J.WESTMAN APPD: S.FLICKINGER NAME: INVERT MODULAR JACK ASSEMBLY 1 X 1, SHIELDED, PANEL GROUND

STE TE Connectivity

REVISIONS				
REV	DATE	DESCRIPTION	BY	APP'D
-	-	SEE SHEET 1	-	-



4-406541-9 ONLY
ALL UNSPECIFIED DIMENSION
SAME AS 3-406541-0



5-406541-0 ONLY
ALL UNSPECIFIED DIMENSION
SAME AS 2-406541-2

THIS DRAWING IS A CONTROLLED DOCUMENT.		DIN TS/L.MAYER 09JAN2008		TE TE Connectivity	
DIMENSIONS: mm [INCHES]		CHK J.WESTMAN 09JAN2008			
TOLERANCES UNLESS OTHERWISE SPECIFIED:		APP'D S.FLICKINGER 09JAN2008		NAME INVERT MODULAR JACK ASSEMBLY 1 X 1, SHIELDED, PANEL GROUND	
0. PLC ± -		PRODUCT SPEC		SIZE A1	
1. PLC ± -		APPLICATION SPEC		CAGE CODE 00779	
2. PLC ± 0.25[.010]		RESTRICTED TO		DRAWING NO 406541	
3. PLC ± -		WEIGHT 0.000000		SCALE 4:1	
4. PLC ± -		MATERIAL SEE TABLE		SHEET 2 OF 2	
ANGLES ± -		FINISH SEE TABLE		REV V	
CUSTOMER DRAWING					