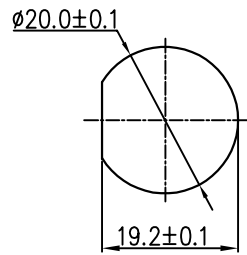
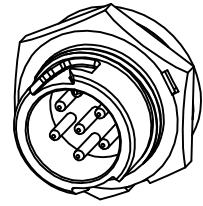
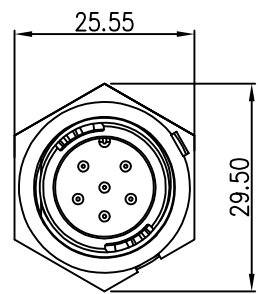
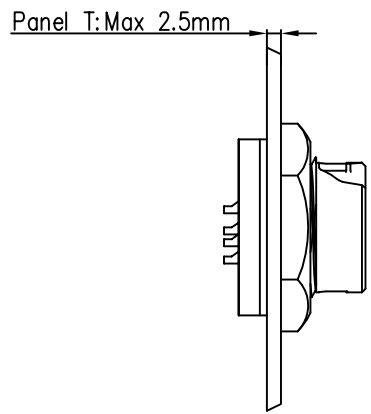
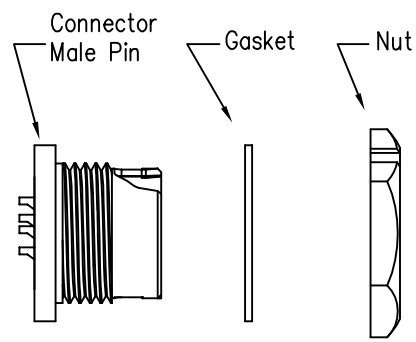
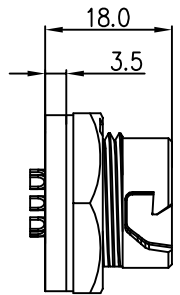


THIS INFORMATION IS CONFIDENTIAL AND IS DISCLOSED TO YOU ON CONDITION THAT NO FURTHER DISCLOSURE IS MADE BY YOU TO OTHER THAN CHOGORI PERSONNEL WITHOUT AUTHORIZATION FROM CHOGORI CORP.

REV.	ECN NO.	DESCRIPTION	SIGN	DATE
C1	N/A	INITIAL DRAWING	Liu	2020/05/17



Recommended Panel Cut-Out



- Specification:
- 1.Operation Temperature: $-45^{\circ}\text{C} \sim 105^{\circ}\text{C}$.
 - 2.Insulation Resistance: $100\text{M}\Omega$ at DC500V.
 - 3.Contact Resistance: $<10\text{m}\Omega$.
 - 4.Withstand Voltage: 1500V AC
 - 5.Operating Current: 10A
 - 6.Operating Voltage: AC 125V
 - 7.Waterproof Rate: IP67 (Mated)
 - 8.Housing: Nylon, Black
 - 9.Male Pin: Copper Alloy, Gold Plated
 - 10.Gasket: Silicon Gray
 - 11.Panel Nut: Nylon, Orange
 - 12.Torque Rate: $0.8 \sim 1.0\text{N} \cdot \text{m}$
 - 13.RoHS Compliant.
 - 14.UL Compliant.
 - 15.Mating Cap P/N: 806-00047-00

23XXX535-01
Pin Number

5 Pin	6 Pin
P/N: 23005535-01	P/N: 23006535-01
Pin Assignments Front View	

UNIT:mm TOLERANCE .X ±0.25 .XX ±0.15 .XXX ±0.05 ANGLES ±1°	DESCRIPTION Middle Series Push Lock Front Mount With Male Pin			PART NO	23XXX535-01	DRAWN BY	Liu	DATE	2020/05/17	
	SCALE	1:1		SHEET	1 OF 1	DWG NO		CHECKED BY	Mo	DATE
REV.	C1	SIZE	A4		CUSTOMER		APPROVED BY	Adley	DATE	2020/05/17