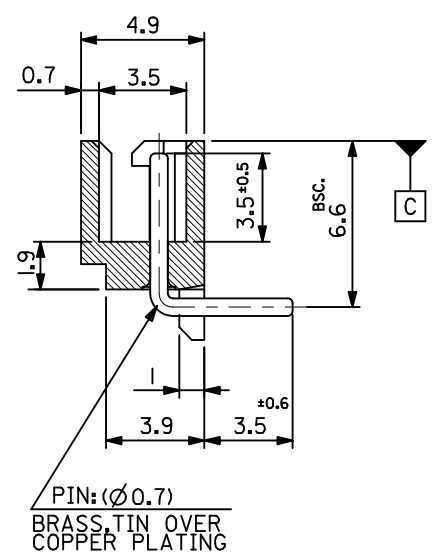
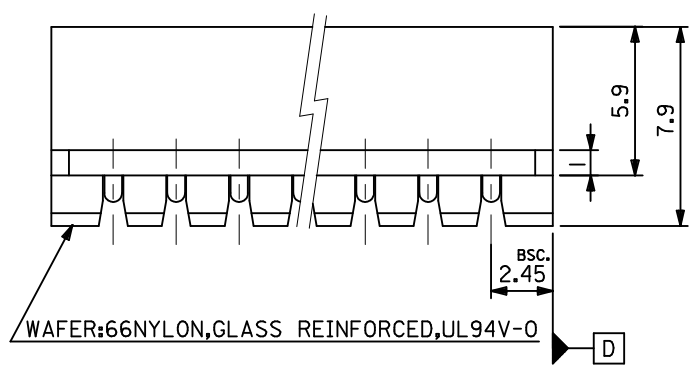
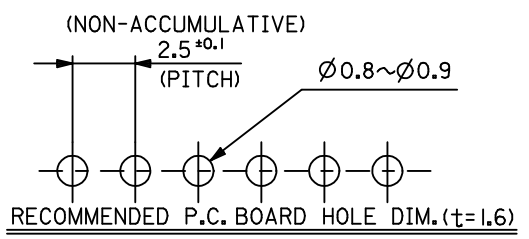


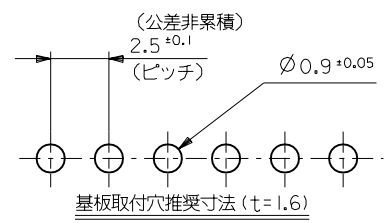
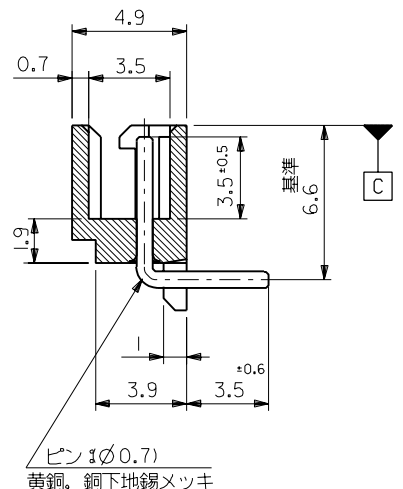
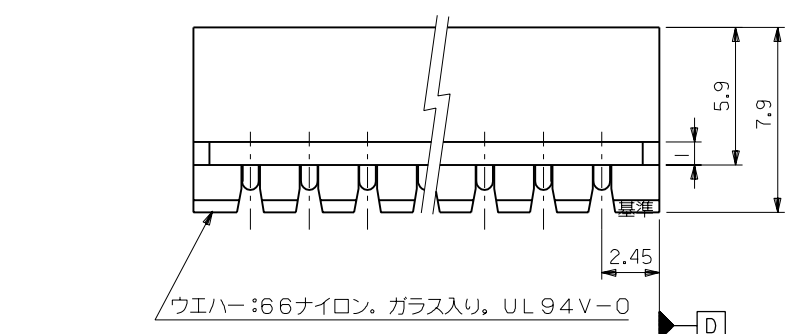
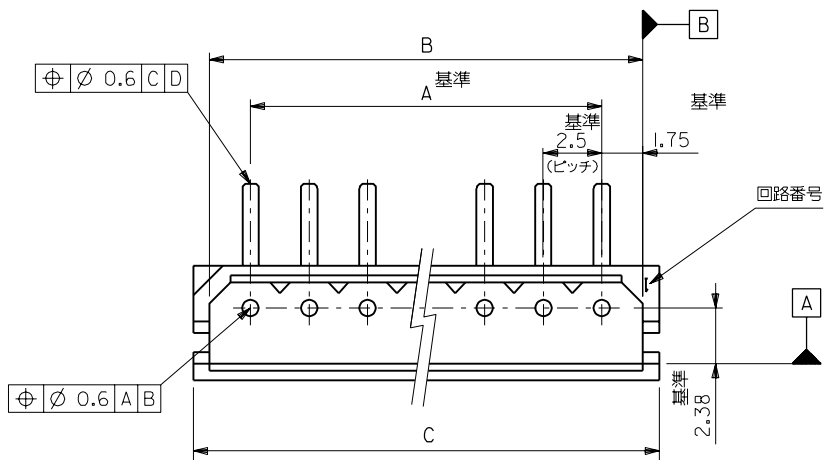
NOTE:
MATES WITH : 5264 SERIES.



49.9	48.5	45	22-05-7195	5268-19A	19
47.4	46	42.5	↑ -7185	↑ -18A	18
44.9	43.5	40	↑ -7175	↑ -17A	17
42.4	41	37.5	↑ -7165	↑ -16A	16
39.9	38.5	35	↑ -7155	↑ -15A	15
37.4	36	32.5	↑ -7145	↑ -14A	14
34.9	33.5	30	↑ -7135	↑ -13A	13
32.4	31	27.5	↑ -7125	↑ -12A	12
29.9	28.5	25	↑ -7115	↑ -11A	11
27.4	26	22.5	↑ -7105	↑ -10A	10
24.9	23.5	20	↑ -7095	↑ -09A	9
22.4	21	17.5	↑ -7085	↑ -08A	8
19.9	18.5	15	↑ -7075	↑ -07A	7
17.4	16	12.5	↑ -7065	↑ -06A	6
14.9	13.5	10	↑ -7055	↑ -05A	5
12.4	11	7.5	↑ -7045	↑ -04A	4
9.9	8.5	5	↓ -7035	↓ -03A	3
7.4	6	2.5	22-05-7025	5268-02A	2
C	B	A	EDP NO.	ENG. NO.	CKT.



REVISED EC NO: J2017-0224 DRWN: MISHIKAWA 2016/10/12 CHKD: TAKAHASHI APPR: MSASAO 2016/10/14	GENERAL TOLERANCES (UNLESS SPECIFIED)		DIMENSION STYLE MM ONLY		SCALE 5:1		DESIGN UNITS METRIC		THIRD ANGLE PROJECTION		
	0.25 UNDER	±	DRAWN BY	DATE	TITLE						
	0.25 OVER	0.5 UNDER	±	K. TOJO	1991/11/05	2.5 LOW PROFILE WAFER ASSY 90° BEND					
	0.5 OVER	1.0 UNDER	±	CHECKED BY	DATE						
0 OVER	10 UNDER	± 0.2	H. HIRAMOTO	1992/08/31							
10 OVER	30 UNDER	± 0.25	APPROVED BY	DATE							
30 OVER		± 0.3	M. ENAMOTO	1992/08/31							
ANGULAR		± 3 °	MATERIAL NO.		DOCUMENT NO.				SHEET NO.		
DRAFT WHERE APPLICABLE MUST REMAIN WITHIN DIMENSIONS			SEE CHART		SD-5268-NA				1 OF 1		
THIS DRAWING CONTAINS INFORMATION THAT IS PROPRIETARY TO MOLEX ELECTRONIC TECHNOLOGIES, LLC AND SHOULD NOT BE USED WITHOUT WRITTEN PERMISSION											



NOTE:
 1. 嵌合相手: 5264 シリーズ

39.9	38.5	35	22-05-7155	5268-15A	15
37.4	36	32.5	-7145	-14A	14
34.9	33.5	30	-7135	-13A	13
32.4	31	27.5	-7125	-12A	12
29.9	28.5	25	-7115	-11A	11
27.4	26	22.5	-7105	-10A	10
24.9	23.5	20	-7095	-09A	9
22.4	21	17.5	-7085	-08A	8
19.9	18.5	15	-7075	-07A	7
17.4	16	12.5	-7065	-06A	6
14.9	13.5	10	-7055	-05A	5
12.4	11	7.5	-7045	-04A	4
9.9	8.5	5	-7035	-03A	3
7.4	6	2.5	22-05-7025	5268-02A	2
C	B	A	EDP NO.	ENG. NO.	種数

角度 ANGLE	±3°							材料 MATERIAL	— / —	MOLEX-JAPAN CO.,LTD. 日本モレックス株式会社
30以上 OVER	+0.3							仕上げ FINISH	— / —	
10以上 30未満 UNDER	+0.25							適用電線範囲 WIRE RANGE	— / —	22-05-7**5
10未満 UNDER	+0.2							被覆外径 INS. RANGE	— / —	ENG. NO.
一般公差 GENERAL TOLERANCES								DRAWN BY K.TOJO '91/7/26	CHK'D BY '92/08/31	SD-5268-NA
								REVISION RECORD		REV
								記号 LTR	変更内容	C
								DR. CHK. DATE	91/7/26	
								APP'D BY M.ENOMOTO	尺度 SCALE 5-1	
REVISE ONLY ON CAD SYSTEM										TITLE 名称
										2.5 LOW PROFILE WAFER ASS'Y 90° BEND